

DAT CATEGORY

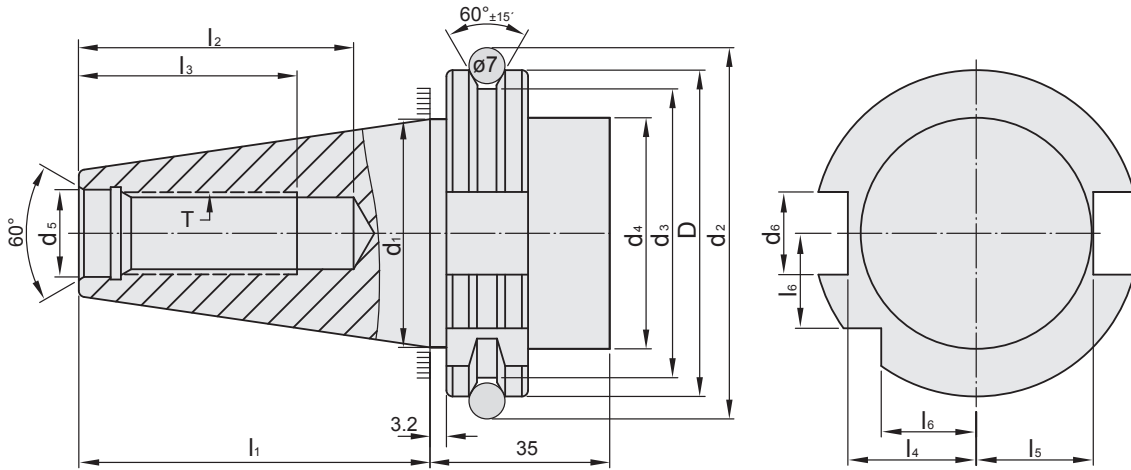
DIN 69871 - A

PNER COLLET CHUCK	C-3
UT COLLET CHUCK	C-4~5
ER COLLET CHUCK	C-6~8
ER COLLET CHUCK [M TYPE]	C-9~10
SK3 COLLET CHUCK	C-11~12
SKS COLLET CHUCK	C-13~14
SBL SLIM-FIT COLLET CHUCK	C-15
SBLC SLIM-FIT COLLET CHUCK	C-16
EBL SLIM-FIT COLLET CHUCK	C-17
MLD MULTI-LOCK MILLING CHUCK	C-18
EOC COLLET CHUCK	C-19
TG COLLET CHUCK	C-20
SLN SIDE LOCK END MILL HOLDER	C-21
FACE MILL ARBOR [FMB TYPE]	C-22~23
FACE MILL ARBOR [FMC TYPE]	C-24
COMBI SHELL END MILL ARBOR	C-25
SPH DRILL CHUCK ADAPTER	C-26
SPU DRILL CHUCK ADAPTER	C-27
DRILL CHUCK ARBOR	C-28
EXPANSION ER TAPPER	C-29
SIDE LOCK OIL HOLE HOLDER	C-30
OTHER OIL HOLE COLLET CHUCK	C-31
SOM SCREWED END MILL HOLDER	C-32
MORSE TAPER ADAPTER	C-33
ADAPTER	C-34
BLANK	C-35

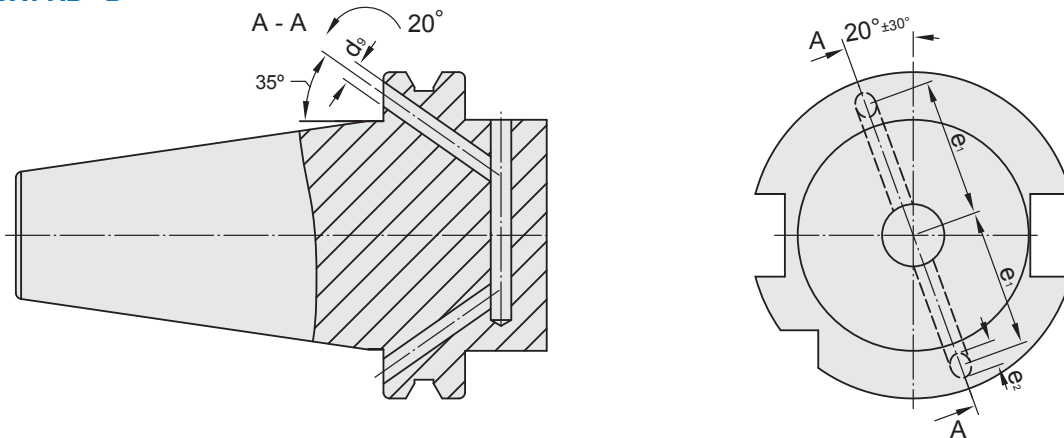
REFERENCE DETAILS

- ▶ Shank body standard : **DIN 69871**
- ▶ Taper tolerance < **AT3**
- ▶ Hardness > **HRC 56°**
- ▶ Surface roughness: Ra < **0.25 μm**
- ▶ Roundness < **0.8 μm**
- ▶ Carbon depth > **0.8mm**
- ▶ The shank has pre-balance at G6.3, and can provide precision balance at G2.5. It can be ordered by request.

DIN69871/DAT A



DIN 69871/DAT AD+B

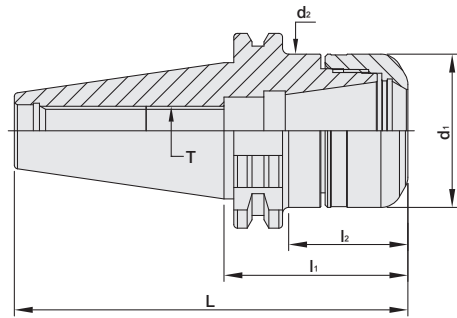


DAT	D 0 -0.1	d ₁	d ₂ ±0.05	d ₃ 0 -0.5	d ₄ max	d ₅ H7	d ₆ H12	d ₉	l ₁ 0 -0.3
30	50	31.75	59.30	44.30	45	13	16.1	4	47.8
40	63.55	44.45	72.30	56.25	50	17	16.1	4	68.4
50	97.50	69.85	107.25	91.25	80	25	25.7	6	101.75
DAT	l ₂ min	l ₃ min	l ₄ 0 -0.4	l ₅ 0 -0.4	l ₆ 0 -0.3	e ₁ ±0.1	e ₂ max	T	
30	33.5	24	19	16.4	15	21	5	M12	
40	42.5	32	25	22.8	18.5	27	5	M16	
50	61.5	47	37.7	35.5	30	42	7	M24	

DAT / PNER COLLET CHUCK



DAT / PNER 立銑刀夾頭



TW PAT NO. M298033
 TW PAT NO. M311791
 TW PAT NO. M501316
 J P PAT NO. 3128766
 J P PAT NO. 3200356
 K R PAT NO. 20-0433603
 C N PAT NO. ZL200620132661.0
 C H PAT NO. 696550
 T R PAT NO. TR 2007 02942 Y
 I T PAT NO. N.0000266731
 D E PAT NO. Nr.202015005621

MODEL NO.	TYPE	L	l ₁	l ₂	d ₁	d ₂	T	SIZE RANGE	WEIGHT (KGS)
50.273.16.050	DAT30 x PNER16 - 50	97.8	50	27.9	30	30	M10 x 1.5P	3 ~ 10	0.70
50.273.16.100	DAT30 x PNER16 - 100	147.8	100	77.9	30	30	M10 x 1.5P	3 ~ 10	0.85
50.273.20.070	DAT30 x PNER20 - 70	117.8	70	47.9	32	32	M12 x 1.75P	3 ~ 13	0.80
50.273.25.070	DAT30 x PNER25 - 70	117.8	70	48.9	40	40	M16 x 2.0P	3 ~ 16	0.85
50.273.32.070	DAT30 x PNER32 - 70	117.8	70	50.4	50	50	M20 x 2.0P	3 ~ 20	0.90
51.273.16.070	DAT40 x PNER16 - 70	138.4	70	45.9	30	30	M10 x 1.5P	3 ~ 10	1.05
51.273.16.100	DAT40 x PNER16 - 100	168.4	100	75.9	30	30	M10 x 1.5P	3 ~ 10	1.15
51.273.20.070	DAT40 x PNER20 - 70	138.4	70	45.9	32	32	M12 x 1.75P	3 ~ 13	1.10
51.273.20.100	DAT40 x PNER20 - 100	168.4	100	75.9	32	32	M12 x 1.75P	3 ~ 13	1.30
51.273.25.070	DAT40 x PNER25 - 70	138.4	70	45.9	40	40	M16 x 2.0P	3 ~ 16	1.15
51.273.25.100	DAT40 x PNER25 - 100	168.4	100	75.9	40	40	M16 x 2.0P	3 ~ 16	1.45
51.273.32.050	DAT40 x PNER32 - 50	118.4	50	30.4	50	50	M16 x 2.0P	3 ~ 20	1.10
51.273.32.070	DAT40 x PNER32 - 70	138.4	70	50.4	50	50	M16 x 2.0P	3 ~ 20	1.22
51.273.32.100	DAT40 x PNER32 - 100	168.4	100	80.4	50	50	M16 x 2.0P	3 ~ 20	1.62
51.273.40.100	DAT40 x PNER40 - 100	168.4	100	80.4	63	63	M20 x 2.0P	6 ~ 26	1.65
52.273.16.070	DAT50 x PNER16 - 70	171.75	70	40.9	30	30	M10 x 1.5P	3 ~ 10	2.80
52.273.16.100	DAT50 x PNER16 - 100	201.75	100	70.9	30	30	M10 x 1.5P	3 ~ 10	3.20
52.273.16.160	DAT50 x PNER16 - 160	261.75	160	130.9	30	30	M10 x 1.5P	3 ~ 10	4.50
52.273.20.070	DAT50 x PNER20 - 70	171.75	70	40.9	32	32	M12 x 1.75P	3 ~ 13	3.00
52.273.20.100	DAT50 x PNER20 - 100	201.75	100	70.9	32	32	M12 x 1.75P	3 ~ 13	3.40
52.273.25.070	DAT50 x PNER25 - 70	171.75	70	40.9	40	40	M16 x 2.0P	3 ~ 16	3.40
52.273.25.100	DAT50 x PNER25 - 100	201.75	100	70.9	40	40	M16 x 2.0P	3 ~ 16	3.54
52.273.25.160	DAT50 x PNER25 - 160	261.75	160	130.9	40	40	M16 x 2.0P	3 ~ 16	4.60
52.273.32.070	DAT50 x PNER32 - 70	171.75	70	40.9	50	50	M16 x 2.0P	3 ~ 20	3.50
52.273.32.100	DAT50 x PNER32 - 100	201.75	100	70.9	50	50	M16 x 2.0P	3 ~ 20	4.30
52.273.40.070	DAT50 x PNER40 - 70	171.75	70	45.9	63	63	M20 x 2.0P	6 ~ 26	3.50
52.273.40.100	DAT50 x PNER40 - 100	201.75	100	75.9	63	63	M20 x 2.0P	6 ~ 26	4.30

Features:

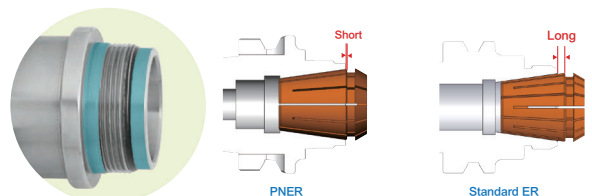
- ▶ PN collet is well covered in PNER tool holder, improving overall runout accuracy and the machining stability.

Product information:

- ▶ Balance: G2.5 25,000 rpm. Higher balancing grade and revolution can be done upon request but additional charge is needed.
- ▶ AD+B type is available, please inform us when making an order.
- ▶ DAT30 tool holders are without coolant supply over collars.
- ▶ Use PN 3µm collet.

Standard Accessory: • NUT

Collet	Nut	Pull Stud	Preset Screw	Spanner
P.W-5	P.W-45	P.W-63	P.W-88	P.W-68~73



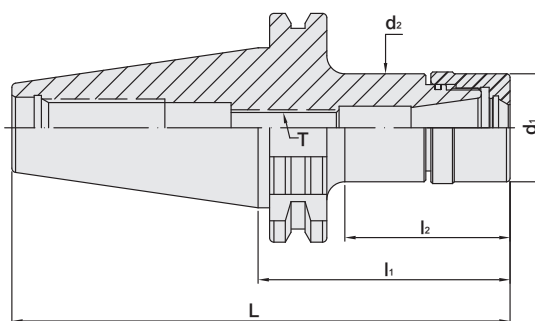
DAT / UT COLLET CHUCK



DAT / UT 立銑刀夾頭



T W PAT NO. M298033
 T W PAT NO. M311791
 J P PAT NO. 3128766
 K R PAT NO. 20-0433603
 C N PAT NO. ZL200620132661.0
 C H PAT NO. 696550
 T R PAT NO. TR 2007 02942 Y
 I T PAT NO. N.0000266731



MODEL NO.	TYPE	L	l ₁	l ₂	d ₁	d ₂	T	SIZE RANGE	WEIGHT (KGS)
50.753.16.070	DAT30 x UT16 - 70	117.8	70	45.9	30	30	M10 x 1.5P	1 ~ 10	0.58
50.753.16.100	DAT30 x UT16 - 100	147.8	100	75.9	30	30	M10 x 1.5P	1 ~ 10	0.72
50.753.16.125	DAT30 x UT16 - 125	172.8	125	100.9	30	30	M10 x 1.5P	1 ~ 10	0.84
50.753.16.150	DAT30 x UT16 - 150	197.8	150	125.9	30	30	M10 x 1.5P	1 ~ 10	0.97
50.753.20.070	DAT30 x UT20 - 70	117.8	70	47.9	35	36	M12 x 1.75P	1 ~ 13	0.64
50.753.20.100	DAT30 x UT20 - 100	147.8	100	77.9	35	36	M12 x 1.75P	1 ~ 13	0.85
50.753.20.125	DAT30 x UT20 - 125	172.8	125	102.9	35	36	M12 x 1.75P	1 ~ 13	1.03
50.753.20.150	DAT30 x UT20 - 150	197.8	150	127.9	35	36	M12 x 1.75P	1 ~ 13	1.22
50.753.25.070	DAT30 x UT25 - 70	117.8	70	49.9	42	42	M16 x 2.0P	1 ~ 16	0.69
50.753.25.100	DAT30 x UT25 - 100	147.8	100	79.9	42	42	M16 x 2.0P	1 ~ 16	1.00
50.753.25.150	DAT30 x UT25 - 150	197.8	150	129.9	42	42	M16 x 2.0P	1 ~ 16	1.53
50.753.32.070	DAT30 x UT32 - 70	117.8	70	50.1	45	48	M16 x 2.0P	2 ~ 20	0.69
50.753.32.100	DAT30 x UT32 - 100	147.8	100	80.1	48	48	M16 x 2.0P	2 ~ 20	1.09
50.753.32.125	DAT30 x UT32 - 125	172.8	125	105.1	48	48	M16 x 2.0P	2 ~ 20	1.42
50.753.32.150	DAT30 x UT32 - 150	197.8	150	130.1	48	48	M16 x 2.0P	2 ~ 20	1.74

Product information:

- ▶ The pre-balance reaches G6.3 10,000 rpm. Higher balancing grade and revolution can be done upon request but additional charge is needed.
- ▶ DAT30 tool holders are without coolant supply over collars.
- ▶ Use standard ER collets.

Standard Accessory: • NUT

Collet	Nut	Pull Stud	Preset Screw	Spanner
P.W-7~10	P.W-47	P.W-63	P.W-88	P.W-68~73



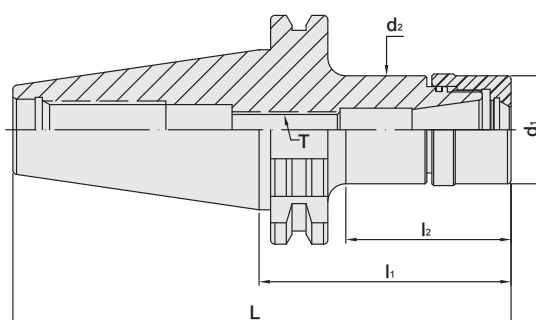
DAT / UT COLLET CHUCK



DAT / UT 立銑刀夾頭



T W PAT NO. M298033
 T W PAT NO. M311791
 J P PAT NO. 3128766
 K R PAT NO. 20-0433603
 C N PAT NO. ZL200620132661.0
 C H PAT NO. 696550
 T R PAT NO. TR 2007 02942 Y
 I T PAT NO. N.0000266731



MODEL NO.	TYPE	L	l ₁	l ₂	d ₁	d ₂	T	SIZE RANGE	WEIGHT (KGS)
51.753.16.070	DAT40 x UT16 - 70	138.4	70	45.9	30	30	M10 x 1.5P	1 ~ 10	1.01
51.753.16.100	DAT40 x UT16 - 100	168.4	100	75.9	30	30	M10 x 1.5P	1 ~ 10	1.14
51.753.16.125	DAT40 x UT16 - 125	193.4	125	100.9	30	30	M10 x 1.5P	1 ~ 10	1.24
51.753.16.150	DAT40 x UT16 - 150	218.4	150	125.9	30	30	M10 x 1.5P	1 ~ 10	1.35
51.753.20.070	DAT40 x UT20 - 70	138.4	70	45.9	35	36	M12 x 1.75P	1 ~ 13	1.07
51.753.20.100	DAT40 x UT20 - 100	168.4	100	75.9	35	36	M12 x 1.75P	1 ~ 13	1.27
51.753.20.125	DAT40 x UT20 - 125	193.4	125	100.9	35	36	M12 x 1.75P	1 ~ 13	1.44
51.753.20.150	DAT40 x UT20 - 150	218.4	150	125.9	35	36	M12 x 1.75P	1 ~ 13	1.61
51.753.25.070	DAT40 x UT25 - 70	138.4	70	45.9	42	42	M16 x 2.0P	1 ~ 16	1.14
51.753.25.100	DAT40 x UT25 - 100	168.4	100	75.9	42	42	M16 x 2.0P	1 ~ 16	1.43
51.753.25.150	DAT40 x UT25 - 150	218.4	150	125.9	42	42	M16 x 2.0P	1 ~ 16	1.90
51.753.32.070	DAT40 x UT32 - 70	138.4	70	50.1	48	48	M16 x 2.0P	2 ~ 20	1.17
51.753.32.100	DAT40 x UT32 - 100	168.4	100	80.1	48	48	M16 x 2.0P	2 ~ 20	1.55
51.753.32.125	DAT40 x UT32 - 125	193.4	125	105.1	48	48	M16 x 2.0P	2 ~ 20	1.87
51.753.32.150	DAT40 x UT32 - 150	218.4	150	130.1	48	48	M16 x 2.0P	2 ~ 20	2.19
52.753.16.070	DAT50 x UT16 - 70	171.75	70	45.9	30	30	M10 x 1.5P	1 ~ 10	2.75
52.753.16.100	DAT50 x UT16 - 100	201.75	100	75.9	30	30	M10 x 1.5P	1 ~ 10	2.91
52.753.16.125	DAT50 x UT16 - 125	226.75	125	95.9	30	30	M10 x 1.5P	1 ~ 10	2.98
52.753.16.150	DAT50 x UT16 - 150	251.75	150	120.9	30	30	M10 x 1.5P	1 ~ 10	3.08
52.753.20.070	DAT50 x UT20 - 70	171.75	70	40.9	35	36	M12 x 1.75P	1 ~ 13	2.85
52.753.20.100	DAT50 x UT20 - 100	201.75	100	70.9	35	36	M12 x 1.75P	1 ~ 13	3.01
52.753.20.125	DAT50 x UT20 - 125	226.75	125	95.9	35	36	M12 x 1.75P	1 ~ 13	3.14
52.753.20.150	DAT50 x UT20 - 150	251.75	150	120.9	35	36	M12 x 1.75P	1 ~ 13	3.27
52.753.25.070	DAT50 x UT25 - 70	171.75	70	45.9	42	42	M16 x 2.0P	1 ~ 16	2.90
52.753.25.100	DAT50 x UT25 - 100	201.75	100	70.9	42	42	M16 x 2.0P	1 ~ 16	3.17
52.753.25.150	DAT50 x UT25 - 150	251.75	150	120.9	42	42	M16 x 2.0P	1 ~ 16	3.68
52.753.32.070	DAT50 x UT32 - 70	171.75	70	45.9	48	48	M16 x 2.0P	2 ~ 20	2.94
52.753.32.100	DAT50 x UT32 - 100	201.75	100	70.9	48	48	M16 x 2.0P	2 ~ 20	3.32
52.753.32.125	DAT50 x UT32 - 125	226.75	125	95.9	48	48	M16 x 2.0P	2 ~ 20	3.60
52.753.32.150	DAT50 x UT32 - 150	251.75	150	120.9	48	48	M16 x 2.0P	2 ~ 20	3.89

Product information:

- ▶ The pre-balance reaches G6.3 10,000 rpm. Higher balancing grade and revolution can be done upon request but additional charge is needed.
- ▶ AD+B type is available, please inform us when making an order.
- ▶ Use standard ER collets.

Standard Accessory: • NUT

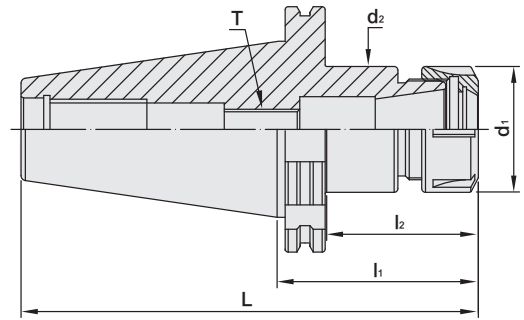
Collet	Nut	Pull Stud	Preset Screw	Spanner
P.W-7~10	P.W-47	P.W-63	P.W-88	P.W-68~73



DAT / ER COLLET CHUCK



DAT / ER 立銑刀夾頭



T W PAT NO. M298033
 T W PAT NO. M311791
 J P PAT NO. 3128766
 K R PAT NO. 20-0433603
 C N PAT NO. ZL200620132661.0
 C H PAT NO. 696550
 T R PAT NO. TR 2007 02942 Y
 I T PAT NO. N.0000266731

MODEL NO.	TYPE	L	l ₁	l ₂	d ₁	d ₂	T	SIZE RANGE	WEIGHT (KGS)
42201	DAT30 x ER11A - 80	127.8	80	50	19	19	M6 x 1.0P	1 ~ 7	0.60
42203	DAT30 x ER16A - 63	110.8	63	40	28	28	M10 x 1.5P	1 ~ 10	0.70
42205	DAT30 x ER16A - 120	167.8	120	92	28	28	M10 x 1.5P	1 ~ 10	0.85
42207	DAT30 x ER20A - 63	110.8	63	38	34	34	M12 x 1.75P	1 ~ 13	0.80
42209	DAT30 x ER20A - 120	167.8	120	95	34	34	M12 x 1.75P	1 ~ 13	1.05
42211	DAT30 x ER25 - 63	110.8	63	43	42	42	M16 x 2.0P	1 ~ 16	0.85
42213	DAT30 x ER32 - 63	110.8	63	43	50	44.7	M16 x 2.0P	2 ~ 20	0.90

Product information:

- ▶ The pre-balance reaches G6.3 10,000 rpm. Higher balancing grade and revolution can be done upon request but additional charge is needed.
- ▶ DAT30 tool holders are without coolant supply over collars.

Standard Accessory: • NUT

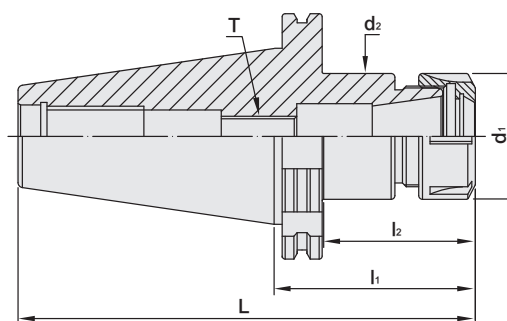
Collet	Nut	Pull Stud	Preset Screw	Spanner
P.W-7~28	P.W-48	P.W-63	P.W-88	P.W-68~71



DAT / ER COLLET CHUCK



DAT / ER 立銑刀夾頭



T W PAT NO. M298033
 T W PAT NO. M311791
 J P PAT NO. 3128766
 K R PAT NO. 20-0433603
 C N PAT NO. ZL200620132661.0
 C H PAT NO. 696550
 T R PAT NO. TR 2007 02942 Y
 I T PAT NO. N.0000266731

MODEL NO.	TYPE	L	l ₁	l ₂	d ₁	d ₂	T	SIZE RANGE	WEIGHT (KGS)
42221	DAT40 x ER11A - 80	148.4	80	50	19	19	M6 x 1.0P	1 ~ 7	1.05
42223	DAT40 x ER11A - 125	193.4	125	95	19	19	M6 x 1.0P	1 ~ 7	1.15
42225	DAT40 x ER16A - 70	138.4	70	40	28	28	M10 x 1.5P	1 ~ 10	1.05
42227	DAT40 x ER16A - 100	168.4	100	70	28	28	M10 x 1.5P	1 ~ 10	1.15
42229	DAT40 x ER16A - 125	193.4	125	95	28	28	M10 x 1.5P	1 ~ 10	1.25
42231	DAT40 x ER16A - 150	218.4	150	120	28	28	M10 x 1.5P	1 ~ 10	1.40
42233	DAT40 x ER16A - 180	248.4	180	150	28	28	M10 x 1.5P	1 ~ 10	1.85
42235	DAT40 x ER20A - 70	138.4	70	47	34	34	M12 x 1.75P	1 ~ 13	1.10
42237	DAT40 x ER20A - 100	168.4	100	70	34	34	M12 x 1.75P	1 ~ 13	1.30
42239	DAT40 x ER20A - 135	203.4	135	105	34	34	M12 x 1.75P	1 ~ 13	1.95
42241	DAT40 x ER20A - 160	228.4	160	130	34	34	M12 x 1.75P	1 ~ 13	2.20
42243	DAT40 x ER25 - 70	138.4	70	50	42	42	M16 x 2.0P	1 ~ 16	1.15
42245	DAT40 x ER25 - 100	168.4	100	80	42	42	M16 x 2.0P	1 ~ 16	1.45
42247	DAT40 x ER25 - 150	218.4	150	130	42	42	M16 x 2.0P	1 ~ 16	2.00
42249	DAT40 x ER25 - 180	248.4	180	160	42	42	M16 x 2.0P	1 ~ 16	2.45
42251	DAT40 x ER25 - 200	268.4	200	180	42	42	M16 x 2.0P	1 ~ 16	2.55
42253	DAT40 x ER32 - 70	138.4	70	50	50	49.7	M16 x 2.0P	2 ~ 20	1.22
42255	DAT40 x ER32 - 100	168.4	100	80	50	49.5	M16 x 2.0P	2 ~ 20	1.62
42257	DAT40 x ER32 - 135	203.4	135	115	50	49.7	M16 x 2.0P	2 ~ 20	2.15
42259	DAT40 x ER32 - 150	218.4	150	130	50	49.7	M16 x 2.0P	2 ~ 20	2.65
42261	DAT40 x ER40 - 70	138.4	70	50	63	50	M20 x 2.0P	3 ~ 26	1.25
42263	DAT40 x ER40 - 100	168.4	100	80	63	50	M20 x 2.0P	3 ~ 26	1.65
42265	DAT40 x ER40 - 135	203.4	135	115	63	50	M20 x 2.0P	3 ~ 26	2.30
42269	DAT40 x ER50 - 100	168.4	100	65	78	64	M24 x 2.0P	5 ~ 34	1.70

Product information:

- ▶ The pre-balance reaches G6.3 10,000 rpm. Higher balancing grade and revolution can be done upon request but additional charge is needed.
- ▶ AD+B type is available, please inform us when making an order.

Standard Accessory: • NUT

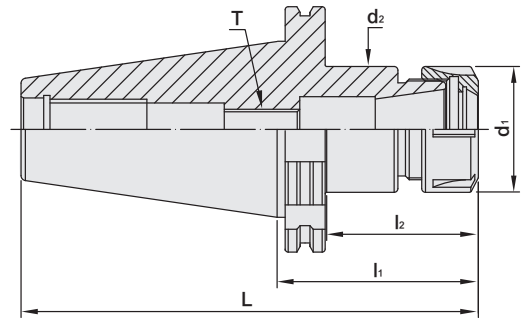
Collet	Nut	Pull Stud	Preset Screw	Spanner
P.W-7~28	P.W-48	P.W-63	P.W-88	P.W-68~71



DAT / ER COLLET CHUCK



DAT / ER 立銑刀夾頭



T W PAT NO. M298033
 T W PAT NO. M311791
 J P PAT NO. 3128766
 K R PAT NO. 20-0433603
 C N PAT NO. ZL200620132661.0
 C H PAT NO. 696550
 T R PAT NO. TR 2007 02942 Y
 I T PAT NO. N.0000266731

MODEL NO.	TYPE	L	l ₁	l ₂	d ₁	d ₂	T	SIZE RANGE	WEIGHT (KGS)
42281	DAT50 x ER16A - 100	201.75	100	70	28	28	M10 x 1.5P	1 ~ 10	3.20
42283	DAT50 x ER16A - 135	236.75	135	105	28	28	M10 x 1.5P	1 ~ 10	4.30
42285	DAT50 x ER16A - 160	261.75	160	130	28	28	M10 x 1.5P	1 ~ 10	4.50
42287	DAT50 x ER16A - 180	281.75	180	150	28	28	M10 x 1.5P	1 ~ 10	4.80
42291	DAT50 x ER20A - 100	201.75	100	70	34	34	M12 x 1.75P	1 ~ 13	3.40
42293	DAT50 x ER20A - 135	236.75	135	105	34	34	M12 x 1.75P	1 ~ 13	3.60
42295	DAT50 x ER20A - 160	261.75	160	130	34	34	M12 x 1.75P	1 ~ 13	3.80
42301	DAT50 x ER25 - 70	171.75	70	40	42	42	M16 x 2.0P	1 ~ 16	3.40
42303	DAT50 x ER25 - 100	201.75	100	70	42	42	M16 x 2.0P	1 ~ 16	3.54
42305	DAT50 x ER25 - 150	251.75	150	120	42	42	M16 x 2.0P	1 ~ 16	4.50
42307	DAT50 x ER25 - 200	301.75	200	170	42	42	M16 x 2.0P	1 ~ 16	4.70
42311	DAT50 x ER32 - 80	181.75	80	50	50	50	M20 x 2.0P	2 ~ 20	3.60
42313	DAT50 x ER32 - 120	221.75	120	90	50	50	M20 x 2.0P	2 ~ 20	4.50
42315	DAT50 x ER32 - 160	261.75	160	130	50	50	M20 x 2.0P	2 ~ 20	4.60
42317	DAT50 x ER32 - 200	301.75	200	170	50	50	M20 x 2.0P	2 ~ 20	5.16
42321	DAT50 x ER40 - 80	181.75	80	50	63	60	M20 x 2.0P	3 ~ 26	3.65
42323	DAT50 x ER40 - 120	221.75	120	90	63	60	M20 x 2.0P	3 ~ 26	4.42
42325	DAT50 x ER40 - 160	261.75	160	130	63	60	M20 x 2.0P	3 ~ 26	5.20
42327	DAT50 x ER40 - 200	301.75	200	170	63	60	M20 x 2.0P	3 ~ 26	5.40
42331	DAT50 x ER50 - 80	181.75	80	57	78	-	M24 x 2.0P	5 ~ 34	4.85
42333	DAT50 x ER50 - 120	221.75	120	99	78	78	M24 x 2.0P	5 ~ 34	5.45
42335	DAT50 x ER50 - 160	261.75	160	139	78	78	M24 x 2.0P	5 ~ 34	5.55
42337	DAT50 x ER50 - 200	301.75	200	179	78	78	M24 x 2.0P	5 ~ 34	5.70

Product information:

- ▶ The pre-balance reaches G6.3 10,000 rpm. Higher balancing grade and revolution can be done upon request but additional charge is needed.
- ▶ AD+B type is available, please inform us when making an order.

Standard Accessory: • NUT

Collet	Nut	Pull Stud	Preset Screw	Spanner
P.W-7~28	P.W-48	P.W-63	P.W-88	P.W-68~71

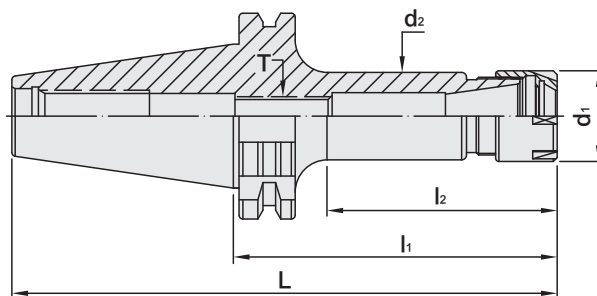


DAT / ER COLLET CHUCK

M TYPE



M 型 DAT / ER 立銑刀夾頭



T W PAT NO. M298033
 T W PAT NO. M311791
 J P PAT NO. 3128766
 K R PAT NO. 20-0433603
 C N PAT NO. ZL200620132661.0
 C H PAT NO. 696550
 T R PAT NO. TR 2007 02942 Y
 I T PAT NO. N.0000266731

MODEL NO.	TYPE	L	l ₁	l ₂	d ₁	d ₂	T	SIZE RANGE	WEIGHT (KGS)
42406	DAT30 x ER11M - 70	117.8	70	40	16	15	M6 x 1.0P	1 ~ 7	0.50
42407	DAT30 x ER11M - 100	147.8	100	70	16	15	M6 x 1.0P	1 ~ 7	0.60
42409	DAT30 x ER11M - 120	167.8	120	90	16	15	M6 x 1.0P	1 ~ 7	0.70
42411	DAT30 x ER16M - 70	117.8	70	40	22	21	M10 x 1.5P	1 ~ 10	0.55
42413	DAT30 x ER16M - 100	147.8	100	70	22	21	M10 x 1.5P	1 ~ 10	0.65
42415	DAT30 x ER16M - 120	167.8	120	90	22	21	M10 x 1.5P	1 ~ 10	0.75
42417	DAT30 x ER20M - 100	147.8	100	75	28	27	M12 x 1.75P	1 ~ 13	0.70
42419	DAT30 x ER20M - 120	167.8	120	95	28	27	M12 x 1.75P	1 ~ 13	0.80
42421	DAT30 x ER20M - 150	197.8	150	125	28	27	M12 x 1.75P	1 ~ 13	1.00
42425	DAT40 x ER11M - 70	138.4	70	40	16	15	M6 x 1.0P	1 ~ 7	1.10
42427	DAT40 x ER11M - 100	168.4	100	70	16	15	M6 x 1.0P	1 ~ 7	0.96
42429	DAT40 x ER11M - 125	193.4	125	95	16	15	M6 x 1.0P	1 ~ 7	1.00
42431	DAT40 x ER11M - 150	218.4	150	120	16	15	M6 x 1.0P	1 ~ 7	1.00
42433	DAT40 x ER16M - 70	138.4	70	40	22	21	M10 x 1.5P	1 ~ 10	0.96
42435	DAT40 x ER16M - 100	168.4	100	70	22	21	M10 x 1.5P	1 ~ 10	1.00
42437	DAT40 x ER16M - 125	193.4	125	95	22	21	M10 x 1.5P	1 ~ 10	1.05
42439	DAT40 x ER16M - 150	218.4	150	120	22	21	M10 x 1.5P	1 ~ 10	1.14
42441	DAT40 x ER20M - 70	138.4	70	40	28	27	M12 x 1.75P	1 ~ 13	1.20
42443	DAT40 x ER20M - 100	168.4	100	70	28	27	M12 x 1.75P	1 ~ 13	1.55
42445	DAT40 x ER20M - 125	193.4	125	95	28	27	M12 x 1.75P	1 ~ 13	1.70
42447	DAT40 x ER20M - 150	218.4	150	120	28	27	M12 x 1.75P	1 ~ 13	1.80

Product information:

- ▶ The pre-balance reaches G6.3 10,000 rpm. Higher balancing grade and revolution can be done upon request but additional charge is needed.
- ▶ AD+B type is available, please inform us when making an order.
- ▶ DAT30 tool holders are without coolant supply over collars.

Standard Accessory: • NUT

Collet	Nut	Pull Stud	Preset Screw	Spanner
P.W-7~28	P.W-49	P.W-63	P.W-88	P.W-68~71

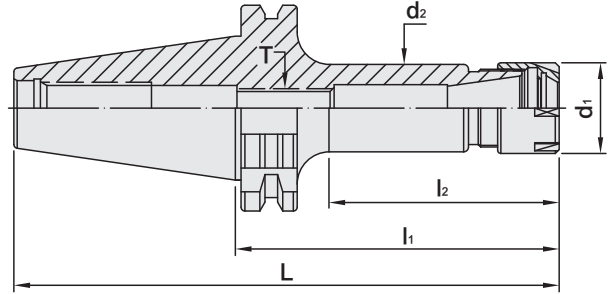


DAT / ER COLLET CHUCK

M TYPE



M 型 DAT / ER 立銑刀夾頭



T W PAT NO. M298033
 T W PAT NO. M311791
 J P PAT NO. 3128766
 K R PAT NO. 20-0433603
 C N PAT NO. ZL200620132661.0
 C H PAT NO. 696550
 T R PAT NO. TR 2007 02942 Y
 I T PAT NO. N.0000266731

MODEL NO.	TYPE	L	l ₁	l ₂	d ₁	d ₂	T	SIZE RANGE	WEIGHT (KGS)
42451	DAT50 x ER11M - 70	171.75	70	40	16	15	M6 x 1.0P	1 ~ 7	3.80
42453	DAT50 x ER11M - 90	191.75	90	60	16	15	M6 x 1.0P	1 ~ 7	3.90
42455	DAT50 x ER11M - 105	206.75	105	56	16	15	M6 x 1.0P	1 ~ 7	4.00
42457	DAT50 x ER11M - 135	236.75	135	86	16	15	M6 x 1.0P	1 ~ 7	4.10
42459	DAT50 x ER11M - 165	266.75	165	98	16	15	M6 x 1.0P	1 ~ 7	4.20
42461	DAT50 x ER16M - 70	171.75	70	40	22	21	M10 x 1.5P	1 ~ 10	3.90
42463	DAT50 x ER16M - 90	191.75	90	60	22	21	M10 x 1.5P	1 ~ 10	4.00
42465	DAT50 x ER16M - 105	206.75	105	68	22	21	M10 x 1.5P	1 ~ 10	4.10
42467	DAT50 x ER16M - 135	236.75	135	98	22	21	M10 x 1.5P	1 ~ 10	4.20
42469	DAT50 x ER16M - 165	266.75	165	128	22	21	M10 x 1.5P	1 ~ 10	4.30
42471	DAT50 x ER20M - 90	191.75	90	60	28	27	M12 x 1.75P	1 ~ 13	4.10
42473	DAT50 x ER20M - 105	206.75	105	71	28	27	M12 x 1.75P	1 ~ 13	4.20
42475	DAT50 x ER20M - 135	236.75	135	101	28	27	M12 x 1.75P	1 ~ 13	4.40
42477	DAT50 x ER20M - 165	266.75	165	131	28	27	M12 x 1.75P	1 ~ 13	4.60

Product information:

- ▶ The pre-balance reaches G6.3 10,000 rpm. Higher balancing grade and revolution can be done upon request but additional charge is needed.
- ▶ AD+B type is available, please inform us when making an order.

Standard Accessory: • NUT

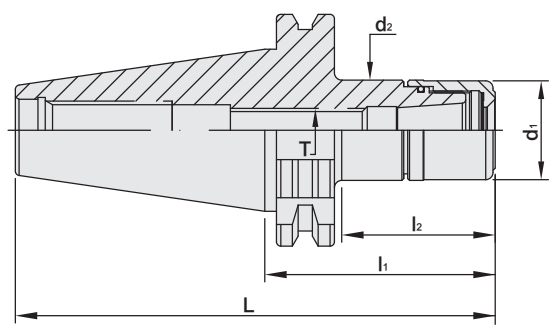
Collet	Nut	Pull Stud	Preset Screw	Spanner
P.W-7~28	P.W-49	P.W-63	P.W-88	P.W-68~71



DAT / SK3 COLLET CHUCK

5 μ m

DAT / SK3 高速機專用夾頭



MODEL NO.	TYPE	L	l ₁	l ₂	d ₁	d ₂	T	SIZE RANGE	WEIGHT (KGS)
50.763.06.060	DAT30 x SK306 - 60	107.8	60	38.9	19.5	19.5	M8 x 1.25P	3 ~ 6	0.90
50.763.06.080	DAT30 x SK306 - 80	127.8	80	58.9	19.5	19.5	M8 x 1.25P	3 ~ 6	1.00
50.763.10.060	DAT30 x SK310 - 60	107.8	60	38.9	27.5	27.5	M12 x 1.75P	3 ~ 10	0.90
50.763.10.080	DAT30 x SK310 - 80	127.8	80	58.9	27.5	27.5	M12 x 1.75P	3 ~ 10	1.00
50.763.13.060	DAT30 x SK313 - 60	107.8	60	38.9	33	33	M12 x 1.75P	3 ~ 13	1.10
50.763.13.080	DAT30 x SK313 - 80	127.8	80	58.9	33	33	M12 x 1.75P	3 ~ 13	1.00
50.763.16.060	DAT30 x SK316 - 60	107.8	60	38.9	40	40	M18 x 1.5P	3 ~ 16	1.20
50.763.16.080	DAT30 x SK316 - 80	127.8	80	58.9	40	40	M18 x 1.5P	3 ~ 16	1.30

Product information:

- ▶ Balance: G2.5 25,000 rpm. Higher balancing grade and revolution can be done upon request but additional charge is needed.
- ▶ AD+B type is available, please inform us when making an order.

Standard Accessory: • NUT

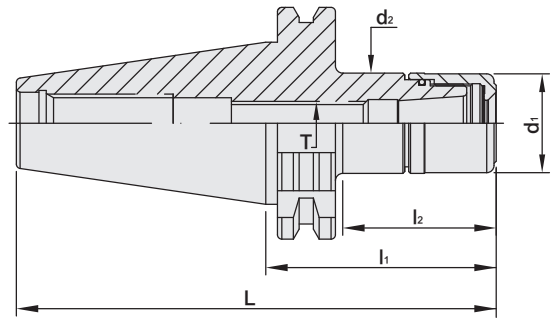
Collet	Nut	Pull Stud	Preset Screw	Spanner
P.W-29~32	P.W-52	P.W-63	P.W-88	P.W-68~73



DAT / SK3 COLLET CHUCK

5 μ m

DAT / SK3 高速機專用夾頭



MODEL NO.	TYPE	L	l ₁	l ₂	d ₁	d ₂	T	SIZE RANGE	WEIGHT (KGS)
51.763.06.080	DAT40 x SK306 - 80	148.4	80	42.75	19.5	19.5	M8 x 1.25P	3 ~ 6	1.10
51.763.06.100	DAT40 x SK306 - 100	168.4	100	62.75	19.5	19.5	M8 x 1.25P	3 ~ 6	1.30
51.763.06.120	DAT40 x SK306 - 120	188.4	120	82.75	19.5	19.5	M8 x 1.25P	3 ~ 6	1.40
51.763.10.080	DAT40 x SK310 - 80	148.4	80	50.9	27.5	27.5	M12 x 1.75P	3 ~ 10	1.10
51.763.10.100	DAT40 x SK310 - 100	168.4	100	70.9	27.5	27.5	M12 x 1.75P	3 ~ 10	1.30
51.763.10.120	DAT40 x SK310 - 120	188.4	120	90.9	27.5	27.5	M12 x 1.75P	3 ~ 10	1.40
51.763.13.080	DAT40 x SK313 - 80	148.4	80	55.9	33	33	M12 x 1.75P	3 ~ 13	1.10
51.763.13.100	DAT40 x SK313 - 100	168.4	100	75.9	33	33	M12 x 1.75P	3 ~ 13	1.30
51.763.13.120	DAT40 x SK313 - 120	188.4	120	95.9	33	33	M12 x 1.75P	3 ~ 13	1.40
51.763.16.080	DAT40 x SK316 - 80	148.4	80	55.9	40	40	M18 x 1.5P	3 ~ 16	1.20
51.763.16.100	DAT40 x SK316 - 100	168.4	100	75.9	40	40	M18 x 1.5P	3 ~ 16	1.40
51.763.16.120	DAT40 x SK316 - 120	188.4	120	95.9	40	40	M18 x 1.5P	3 ~ 16	1.50
52.763.06.080	DAT50 x SK306 - 80	181.75	80	40.75	19.5	19.5	M8 x 1.25P	3 ~ 6	4.00
52.763.06.100	DAT50 x SK306 - 100	201.75	100	60.75	19.5	19.5	M8 x 1.25P	3 ~ 6	4.10
52.763.06.120	DAT50 x SK306 - 120	221.75	120	80.75	19.5	19.5	M8 x 1.25P	3 ~ 6	4.20
52.763.10.080	DAT50 x SK310 - 80	181.75	80	50.9	27.5	27.5	M12 x 1.75P	3 ~ 10	4.10
52.763.10.100	DAT50 x SK310 - 100	201.75	100	70.9	27.5	27.5	M12 x 1.75P	3 ~ 10	4.20
52.763.10.120	DAT50 x SK310 - 120	221.75	120	90.9	27.5	27.5	M12 x 1.75P	3 ~ 10	4.30
52.763.13.080	DAT50 x SK313 - 80	181.75	80	50.9	33	33	M12 x 1.75P	3 ~ 13	4.20
52.763.13.100	DAT50 x SK313 - 100	201.75	100	70.9	33	33	M12 x 1.75P	3 ~ 13	4.30
52.763.13.120	DAT50 x SK313 - 120	221.75	120	90.9	33	33	M12 x 1.75P	3 ~ 13	4.40
52.763.16.080	DAT50 x SK316 - 80	181.75	80	50.9	40	40	M18 x 1.5P	3 ~ 16	4.30
52.763.16.100	DAT50 x SK316 - 100	201.75	100	70.9	40	40	M18 x 1.5P	3 ~ 16	4.40
52.763.16.120	DAT50 x SK316 - 120	221.75	120	90.9	40	40	M18 x 1.5P	3 ~ 16	4.50

Product information:

- ▶ Balance: reaches G2.5 25,000 rpm. Higher balancing grade and revolution can be done upon request but additional charge is needed.
- ▶ AD+B type is available, please inform us when making an order.

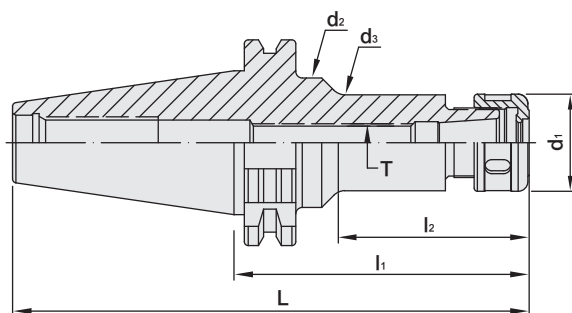
Standard Accessory: • NUT

Collet	Nut	Pull Stud	Preset Screw	Spanner
				
P.W-29~32	P.W-52	P.W-63	P.W-88	P.W-68~73

DAT / SKS COLLET CHUCK

5 μ m

DAT / SKS 高速機專用夾頭



T W PAT NO. M270871

MODEL NO.	TYPE	L	l ₁	l ₂	d ₁	d ₂	d ₃	T	SIZE RANGE	WEIGHT (KGS)
43002	DAT30 x SKS6 - 45	92.8	45	23	18	18	-	M8 x 1.25P	3 ~ 6	0.60
43004	DAT30 x SKS6 - 60	107.8	60	37	18	18	-	M8 x 1.25P	3 ~ 6	0.70
43006	DAT30 x SKS10 - 45	92.8	45	23	30	27.6	-	M12 x 1.75P	3 ~ 10	0.80
43008	DAT30 x SKS10 - 60	107.8	60	38	30	27.6	-	M12 x 1.75P	3 ~ 10	0.90
43009	DAT30 x SKS13 - 45	92.8	45	24	35	-	-	-	3 ~ 13	0.80
43009 - 60	DAT30 x SKS13 - 60	107.8	60	37	35	33	-	M12 x 1.75P	3 ~ 13	0.90
43010	DAT40 x SKS6 - 90	158.4	90	51	18	32	18	M8 x 1.25P	3 ~ 6	0.60
43011	DAT40 x SKS6 - 120	188.4	120	81	18	32	18	M8 x 1.25P	3 ~ 6	0.70
43012	DAT40 x SKS10 - 90	158.4	90	52	30	40	27.6	M12 x 1.75P	3 ~ 10	1.20
43014	DAT40 x SKS10 - 120	188.4	120	82	30	40	27.6	M12 x 1.75P	3 ~ 10	1.40
43015	DAT40 x SKS13 - 90	158.4	90	67	35	33	-	M12 x 1.75P	3 ~ 13	1.30
43015 - 120	DAT40 x SKS13 - 120	188.4	120	97	35	33	-	M12 x 1.75P	3 ~ 13	1.50
43016	DAT40 x SKS16 - 90	158.4	90	65	40	40	-	M18 x 1.5P	3 ~ 16	1.30
43018	DAT40 x SKS16 - 120	188.4	120	95	40	40	-	M18 x 1.5P	3 ~ 16	1.50
43020	DAT40 x SKS20 - 90	158.4	90	70	48.5	48.5	-	M22 x 1.5P	3 ~ 20	1.30
43022	DAT40 x SKS20 - 120	188.4	120	100	48.5	48.5	-	M22 x 1.5P	3 ~ 20	1.50
43026	DAT40 x SKS25 - 90	158.4	90	70	55	49.85	-	M28 x 2.0P	3 ~ 25.4	1.30
43028	DAT40 x SKS25 - 120	188.4	120	100	55	49.85	-	M28 x 2.0P	3 ~ 25.4	1.50

Product information:

- ▶ Balance: G2.5 25,000 rpm. Higher balancing grade and revolution can be done upon request but additional charge is needed.
- ▶ AD+B type is available, please inform us when making an order.

Standard Accessory: • NUT

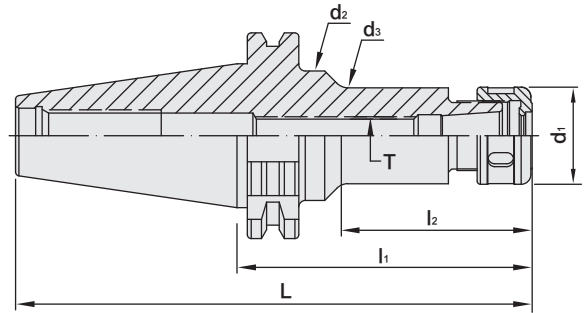
Collet	Nut	Pull Stud	Preset Screw	Spanner
P.W-29~32	P.W-53~54	P.W-63	P.W-88	P.W-68~73



DAT / SKS COLLET CHUCK

5 μ m

DAT / SKS 高速機專用夾頭



T W PAT NO. M270871

MODEL NO.	TYPE	L	l ₁	l ₂	d ₁	d ₂	d ₃	T	SIZE RANGER	WEIGHT (KGS)
43032	DAT50 x SKS6 - 105	206.75	105	64	18	32	18	M8 x 1.25P	3 ~ 6	4.20
43034	DAT50 x SKS6 - 165	266.75	165	124	18	32	18	M8 x 1.25P	3 ~ 6	4.60
43036	DAT50 x SKS10 - 105	206.75	105	70	30	40	30	M12 x 1.75P	3 ~ 10	4.20
43038	DAT50 x SKS10 - 165	266.75	165	130	30	40	30	M12 x 1.75P	3 ~ 10	4.60
43040	DAT50 x SKS13 - 105	206.75	105	80	35	33	-	M12 x 1.75P	3 ~ 13	4.20
43041	DAT50 x SKS13 - 165	266.75	165	140	35	33	-	M12 x 1.75P	3 ~ 13	4.60
43042	DAT50 x SKS16 - 105	206.75	105	75	40	40	-	M18 x 1.5P	3 ~ 16	4.30
43044	DAT50 x SKS16 - 165	266.75	165	127	40	52	40	M18 x 1.5P	3 ~ 16	4.70
43046	DAT50 x SKS20 - 105	206.75	105	80	48.5	48.5	-	M22 x 1.5P	3 ~ 20	4.30
43048	DAT50 x SKS20 - 165	266.75	165	140	48.5	48.5	-	M22 x 1.5P	3 ~ 20	4.70
43052	DAT50 x SKS25 - 105	206.75	105	80	55	55	-	M28 x 2.0P	3 ~ 25.4	5.00
43054	DAT50 x SKS25 - 165	266.75	165	140	55	55	-	M28 x 2.0P	3 ~ 25.4	5.30

Product information:

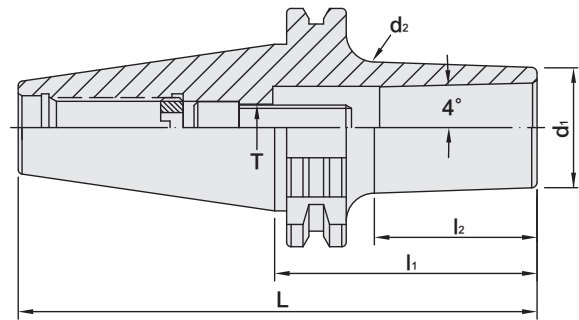
- ▶ Balance: G2.5 25,000 rpm. Higher balancing grade and revolution can be done upon request but additional charge is needed.
- ▶ AD+B type is available, please inform us when making an order.

Standard Accessory: • NUT

Collet	Nut	Pull Stud	Preset Screw	Spanner
				
P.W-29~32	P.W-53~54	P.W-63	P.W-88	P.W-68~73

DAT / SBL SLIM-FIT COLLET CHUCK

DAT / SBL 後拉式立銑刀夾頭



T W PAT NO. M274178

MODEL NO.	TYPE	L	l ₁	l ₂	d ₁	d ₂	T	RECOMMENDED TORQUE		SIZE RANGE	WEIGHT (KGS)
								N.m	lbf-ft		
45352	DAT30 x SBL6 - 70	117.8	70	41	14	18	M6 x 1.0P	12	9	3 ~ 6	0.39
45354	DAT30 x SBL6 - 100	147.8	100	71	14	21	M6 x 1.0P	12	9	3 ~ 6	0.40
45356	DAT30 x SBL12 - 70	117.8	70	48	26	31	M10 x 1.5P	45	33	3 ~ 12	0.42
45358	DAT30 x SBL12 - 100	147.8	100	78	26	34	M10 x 1.5P	45	33	3 ~ 12	0.43
45362	DAT30 x SBL20 - 80	127.8	80	58	34	38	M12 x 1.75P	60	44	3 ~ 20	0.44
45364	DAT30 x SBL20 - 100	147.8	100	79	34	39	M12 x 1.75P	60	44	3 ~ 20	0.45
45368	DAT40 x SBL6 - 70	138.4	70	36	14	17	M6 x 1.0P	12	9	3 ~ 6	1.00
45370	DAT40 x SBL6 - 100	168.4	100	58	14	20	M6 x 1.0P	12	9	3 ~ 6	1.10
45371 - 100	DAT40 x SBL8 - 100	168.4	100	71.4	20	27.4	M8 x 1.25P	29	21	3 ~ 8	1.25
45371 - 130	DAT40 x SBL8 - 130	198.4	130	101.4	20	30.6	M8 x 1.25P	29	21	3 ~ 8	1.19
45371 - 150	DAT40 x SBL8 - 150	218.4	150	121.4	20	32.6	M8 x 1.25P	29	21	3 ~ 8	1.32
45372	DAT40 x SBL12 - 70	138.4	70	41	26	29	M10 x 1.5P	45	33	3 ~ 12	1.20
45374	DAT40 x SBL12 - 100	168.4	100	71	26	32	M10 x 1.5P	45	33	3 ~ 12	1.30
45374 - 170	DAT40 x SBL12 - 170	238.4	170	146	26	38	M10 x 1.5P	45	33	3 ~ 12	2.00
45376	DAT40 x SBL20 - 70	138.4	70	41	35	38	M12 x 1.75P	60	44	3 ~ 20	1.30
45378	DAT40 x SBL20 - 100	168.4	100	78	35	41	M12 x 1.75P	60	44	3 ~ 20	1.40
45379	DAT40 x SBL25 - 80	148.4	80	58	40	45	M16 x 2.0P	90	66	3 ~ 25	1.50
45379 - 100	DAT40 x SBL25 - 100	168.4	100	79	40	46	M16 x 2.0P	90	66	3 ~ 25	1.60
45380	DAT50 x SBL6 - 70	171.75	70	36	14	17	M6 x 1.0P	12	9	3 ~ 6	2.80
45382	DAT50 x SBL6 - 100	201.75	100	66	14	20	M6 x 1.0P	12	9	3 ~ 6	2.90
45383 - 100	DAT50 x SBL8 - 100	201.75	100	71.4	20	27.4	M8 x 1.25P	29	21	3 ~ 8	2.81
45383 - 130	DAT50 x SBL8 - 130	231.75	130	101.4	20	30.6	M8 x 1.25P	29	21	3 ~ 8	2.98
45383 - 150	DAT50 x SBL8 - 150	281.75	150	121.4	20	32.7	M8 x 1.25P	29	21	3 ~ 8	3.11
45384	DAT50 x SBL12 - 70	171.75	70	41	26	29	M10 x 1.5P	45	33	3 ~ 12	3.00
45386	DAT50 x SBL12 - 100	201.75	100	71	26	32	M10 x 1.5P	45	33	3 ~ 12	3.10
45388	DAT50 x SBL20 - 70	171.75	70	41	35	38	M12 x 1.75P	60	44	3 ~ 20	3.20
45390	DAT50 x SBL20 - 100	201.75	100	71	35	41	M12 x 1.75P	60	44	3 ~ 20	3.30
45391	DAT50 x SBL20 - 170	271.75	170	139	40	47	M12 x 1.75P	60	44	3 ~ 20	3.90
45392	DAT50 x SBL25 - 70	171.75	70	39	40	43	M16 x 2.0P	90	66	3 ~ 25	3.20
45394	DAT50 x SBL25 - 100	201.75	100	71	40	46	M16 x 2.0P	90	66	3 ~ 25	3.40

Product information:

- ▶ Balance: G2.5 25,000 rpm. Higher balancing grade and revolution can be done upon request but additional charge is needed.
- ▶ AD+B type is available, please inform us when making an order.

Collet	Pull Stud	Screw	Spanner
P.W-33	P.W-63	P.W-91	P.W-72

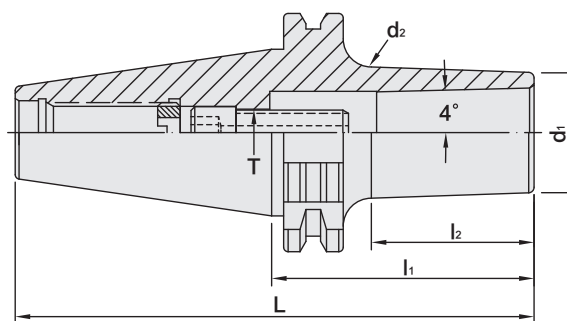


DAT / SBLC SLIM-FIT COLLET CHUCK

DAT / SBLC 後拉式立銑刀夾頭



T W PAT NO. M274178



MODEL NO.	TYPE	L	l ₁	l ₂	d ₁	d ₂	T	RECOMMENDED TORQUE		SIZE RANGE	WEIGHT (KGS)
								N.m	1bf-ft		
45352C	DAT30 x SBLC6 - 70	117.8	70	41	14	18	M6 x 1.0P	12	9	3 ~ 6	0.39
45354C	DAT30 x SBLC6 - 100	147.8	100	71	14	21	M6 x 1.0P	12	9	3 ~ 6	0.40
45356C	DAT30 x SBLC12 - 70	117.8	70	48	26	31	M10 x 1.5P	45	33	3 ~ 12	0.42
45358C	DAT30 x SBLC12 - 100	147.8	100	78	26	34	M10 x 1.5P	45	33	3 ~ 12	0.43
45362C	DAT30 x SBLC20 - 80	127.8	80	58	34	38	M12 x 1.75P	60	44	3 ~ 20	0.44
45364C	DAT30 x SBLC20 - 100	147.8	100	79	34	39	M12 x 1.75P	60	44	3 ~ 20	0.45
45368C	DAT40 x SBLC6 - 70	138.4	70	36	14	17	M6 x 1.0P	12	9	3 ~ 6	1.00
45370C	DAT40 x SBLC6 - 100	168.4	100	58	14	20	M6 x 1.0P	12	9	3 ~ 6	1.10
45371C - 100	DAT40 x SBLC8 - 100	168.4	100	71.4	20	27.4	M8 x 1.25P	29	21	3 ~ 8	1.25
45371C - 130	DAT40 x SBLC8 - 130	198.4	130	101.4	20	30.6	M8 x 1.25P	29	21	3 ~ 8	1.19
45371C - 150	DAT40 x SBLC8 - 150	218.4	150	121.4	20	32.6	M8 x 1.25P	29	21	3 ~ 8	1.32
45372C	DAT40 x SBLC12 - 70	138.4	70	41	26	29	M10 x 1.5P	45	33	3 ~ 12	1.20
45374C	DAT40 x SBLC12 - 100	168.4	100	71	26	32	M10 x 1.5P	45	33	3 ~ 12	1.30
45374C - 170	DAT40 x SBLC12 - 170	238.4	170	146	26	38	M10 x 1.5P	45	33	3 ~ 12	2.00
45376C	DAT40 x SBLC20 - 70	138.4	70	41	35	38	M12 x 1.75P	60	44	3 ~ 20	1.30
45378C	DAT40 x SBLC20 - 100	168.4	100	78	35	41	M12 x 1.75P	60	44	3 ~ 20	1.40
45379C	DAT40 x SBLC25 - 80	148.4	80	58	40	45	M16 x 2.0P	90	66	3 ~ 25	1.50
45379C - 100	DAT40 x SBLC25 - 100	168.4	100	79	40	46	M16 x 2.0P	90	66	3 ~ 25	1.60
45380C	DAT50 x SBLC6 - 70	171.75	70	36	14	17	M6 x 1.0P	12	9	3 ~ 6	2.80
45382C	DAT50 x SBLC6 - 100	201.75	100	66	14	20	M6 x 1.0P	12	9	3 ~ 6	2.90
45383C - 100	DAT50 x SBLC8 - 100	201.75	100	71.4	20	27.4	M8 x 1.25P	29	21	3 ~ 8	2.81
45383C - 130	DAT50 x SBLC8 - 130	231.75	130	101.4	20	30.6	M8 x 1.25P	29	21	3 ~ 8	2.98
45383C - 150	DAT50 x SBLC8 - 150	281.75	150	121.4	20	32.7	M8 x 1.25P	29	21	3 ~ 8	3.11
45384C	DAT50 x SBLC12 - 70	171.75	70	41	26	29	M10 x 1.5P	45	33	3 ~ 12	3.00
45386C	DAT50 x SBLC12 - 100	201.75	100	71	26	32	M10 x 1.5P	45	33	3 ~ 12	3.10
45388C	DAT50 x SBLC20 - 70	171.75	70	41	35	38	M12 x 1.75P	60	44	3 ~ 20	3.20
45390C	DAT50 x SBLC20 - 100	201.75	100	71	35	41	M12 x 1.75P	60	44	3 ~ 20	3.30
45391C	DAT50 x SBLC20 - 170	271.75	170	139	40	47	M12 x 1.75P	60	44	3 ~ 20	3.90
45392C	DAT50 x SBLC25 - 70	171.75	70	39	40	43	M16 x 2.0P	90	66	3 ~ 25	3.20
45394C	DAT50 x SBLC25 - 100	201.75	100	71	40	46	M16 x 2.0P	90	66	3 ~ 25	3.40

Product information:

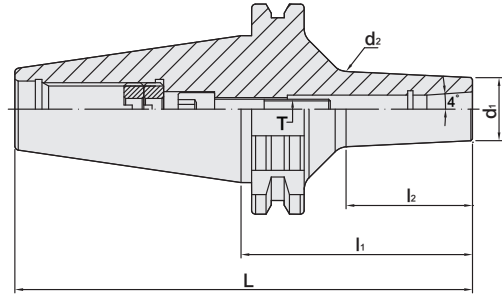
- ▶ Balance: G2.5 25,000 rpm. Higher balancing grade and revolution can be done upon request but additional charge is needed.
- ▶ AD+B type is available, please inform us when making an order.
- ▶ Used with SLC sealed collet and coolant through cutters.

Standard Accessory: • SPANNER

Collet	Pull Stud	Screw	Spanner
P.W-34	P.W-63	P.W-91	P.W-72

DAT / EBL SLIM-FIT COLLET CHUCK

DAT / EBL 後拉式刀桿



MODEL NO.	TYPE	L	l ₁	l ₂	d ₁	d ₂	T	TORQUE		SIZE RANGE	WEIGHT (KGS)
								N.m	lbf-ft		
46912	DAT30 x EBL6 - 70	117.8	70	41.6	19.05	23.1	M6 x 1.0P	12	9	3 ~ 6	0.51
46912 - 100	DAT30 x EBL6 - 100	147.8	100	73.1	19.05	26.2	M6 x 1.0P	12	9	3 ~ 6	0.60
46922	DAT40 x EBL6 - 70	138.4	70	38.2	19.05	22.7	M6 x 1.0P	12	9	3 ~ 6	0.99
46922 - 100	DAT40 x EBL6 - 100	168.4	100	69.7	19.05	25.8	M6 x 1.0P	12	9	3 ~ 6	1.09
46924	DAT40 x EBL8 - 70	138.4	70	36.5	22.225	25.8	M8 x 1.25P	29	21	3 ~ 8	1.01
46924 - 100	DAT40 x EBL8 - 100	168.4	100	68.1	22.225	28.8	M8 x 1.25P	29	21	3 ~ 8	1.13
46932	DAT50 x EBL6 - 70	171.75	70	38.2	19.05	22.7	M6 x 1.0P	12	9	3 ~ 6	2.77
46932 - 100	DAT50 x EBL6 - 100	201.75	100	69.7	19.05	25.8	M6 x 1.0P	12	9	3 ~ 6	2.80
46934	DAT50 x EBL8 - 70	171.75	70	36.5	22.225	25.8	M8 x 1.25P	29	21	3 ~ 8	2.79
46934 - 100	DAT50 x EBL8 - 100	201.75	10	68.1	22.225	28.8	M8 x 1.25P	29	21	3 ~ 8	2.85



▶ SBL



▶ EBL

Features:

- ▶ The extended length of EBL collet and special longer inner hole design of holder allow deeper tool insertion and shorter tool overhanging length, improving the machining stability.
- ▶ The optimized design of thicker neck improves the machining rigidity and eliminates micro-vibration.
- ▶ Use with CTS to achieve better dustproof ability and chip evacuation. Capable of coolant pressure up to 25 bar.

Product information:

- ▶ Balance: G2.5 25,000rpm.

Standard Accessory: • ALLEN WRENCH • TORX WRENCH

Collet	Sealed Collet	Pull Stud	Spanner
P.W-35	P.W-36	P.W-63	P.W-72



DAT / MLD MULTI-LOCK MILLING CHUCK

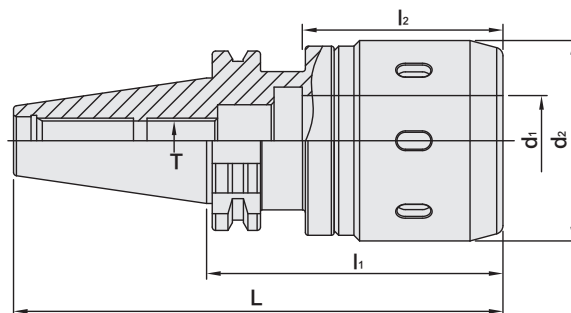
DAT / MLD 直式筒夾 銑床夾頭



台灣精品 2007
TAIWAN EXCELLENCE



T W PAT NO. M447277
T W PAT NO. M430337
T W PAT NO. M451185
C N PAT NO. ZL201220749784.4
C H PAT NO. ZL201220749942.6



MODEL NO.	TYPE	L	l ₁	l ₂	d ₁	d ₂	T	WEIGHT (KGS)
41350G	DAT30 x MLD12 - 80	127.8	80	46.7	12	42	M12 x 1.75P	1.40
41351G	DAT30 x MLD16 - 80	127.8	80	56.7	16	48	M12 x 1.75P	1.60
41352G	DAT30 x MLD20 - 85	132.8	85	59.3	20	56.5	M16 x 2.0P	1.90
41354G	DAT30 x MLD20 - 100	147.8	100	59.3	20	56.5	M16 x 2.0P	2.10
41353G	DAT40 x MLD12 - 75	143.4	75	46.7	12	42	M12 x 1.75P	2.10
41355G	DAT40 x MLD16 - 80	148.4	80	56.7	16	48	M12 x 1.75P	2.20
41356G	DAT40 x MLD20 - 85	153.4	85	59.3	20	56.5	M16 x 2.0P	2.40
41358G	DAT40 x MLD20 - 135	203.4	135	59.3	20	56.5	M16 x 2.0P	2.50
41362G	DAT40 x MLD25 - 95	163.4	95	58.2	25	60	M16 x 2.0P	2.00
41364G	DAT40 x MLD32 - 105	173.4	105	71.7	32	71	M16 x 2.0P	2.70
41366G	DAT40 x MLD32 - 135	203.4	135	71.7	32	71	M16 x 2.0P	3.00
41367G	DAT50 x MLD12 - 75	176.75	75	46.7	12	42	M12 x 1.75P	3.20
41372G	DAT50 x MLD16 - 75	176.75	75	56.7	16	48	M12 x 1.75P	3.20
41368G	DAT50 x MLD20 - 105	206.75	105	59.3	20	56.5	M16 x 2.0P	4.50
41370G	DAT50 x MLD20 - 150	251.75	150	59.3	20	56.5	M16 x 2.0P	4.90
41374G	DAT50 x MLD25 - 105	206.75	105	58.2	25	60	M24 x 3.0P	4.10
41376G	DAT50 x MLD32 - 105	206.75	105	71.7	32	71	M24 x 3.0P	5.10
41378G	DAT50 x MLD32 - 135	236.75	135	71.7	32	71	M24 x 3.0P	5.90
41380G	DAT50 x MLD42 - 115	216.75	115	84.8	42	90	M24 x 3.0P	5.00

Features:

- ▶ Good clamping power. The clamping power of MLD32 type is around 1000 N-m.
- ▶ Runout accuracy of MLD holder body: within 0.005mm.
- ▶ Runout accuracy with collet: within 0.02mm.
- ▶ The tolerance of the cutting tool shank must be less than h6.
- ▶ Internal bearing cage helps increase the clamping force.
- ▶ After fastening, the nuts and tool holders contact tight to enhance the cutting rigidity.
- ▶ Coolant options: through the center of holder or cutter. Use sealed caps and SR rings for coolant through cutter.

Product information:

- ▶ The pre-balance reaches G6.3 8,000 rpm. Higher balancing grade and revolution can be done upon request but additional charge is needed.
- ▶ AD+B type is available, please inform us when making an order.
- ▶ DAT30 tool holders are without coolant supply over collars.

Standard Accessory: • NUT • SET SCREW

Collet	Sealed Cap	SR Sealed Ring	Pull Stud	Set Screw	Spanner	Spanner
P.W-38~39	P.W-58	P.W-59	P.W-63	P.W-88	P.W-71~72	P.W-73

DAT / EOC COLLET CHUCK

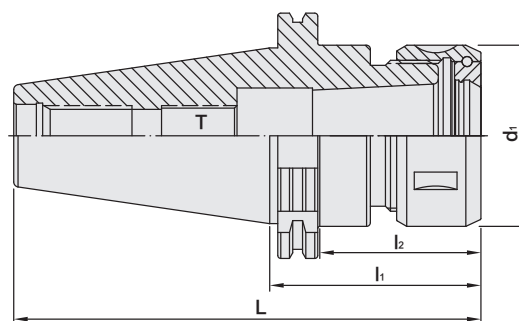


DAT / EOC 立銑刀夾頭

(DIN ISO 10897)



T W PAT NO. M298033
 T W PAT NO. M311791
 J P PAT NO. 3128766
 K R PAT NO. 20-0433603
 C N PAT NO. ZL200620132661.0
 C H PAT NO. 696550
 T R PAT NO. TR 2007 02942 Y
 I T PAT NO. N.0000266731



MODEL NO.	TYPE	L	l ₁	l ₂	d ₁	T	SIZE RANGE	WEIGHT (KGS)
42001	DAT30 x EOC25 - 80	127.8	80	60	60	M12 x 1.75P	3 ~ 25	1.50
42011	DAT40 x EOC25 - 80	148.4	80	60	60	M16 x 2.0P	3 ~ 25	1.85
42012	DAT40 x EOC25 - 100	168.4	100	80	60	M16 x 2.0P	3 ~ 25	2.30
42013	DAT40 x EOC25 - 120	188.4	120	100	60	M16 x 2.0P	3 ~ 25	2.55
42015	DAT40 x EOC32 - 90	158.4	90	70	72	M20 x 2.0P	4 ~ 32	1.95
42017	DAT40 x EOC32 - 120	188.4	120	100	72	M20 x 2.0P	4 ~ 32	2.35
42021	DAT50 x EOC25 - 70	171.75	70	50	60	M16 x 2.0P	3 ~ 25	3.25
42023	DAT50 x EOC25 - 140	241.75	140	115	60	M16 x 2.0P	3 ~ 25	5.10
42025	DAT50 x EOC32 - 80	181.75	80	60	72	M24 x 2.0P	4 ~ 32	4.40
42027	DAT50 x EOC32 - 140	241.75	140	120	72	M24 x 2.0P	4 ~ 32	5.70

Product information:

- ▶ The pre-balance reaches G6.3 10,000 rpm. Higher balancing grade and revolution can be done upon request but additional charge is needed.
- ▶ AD+B type is available, please inform us when making an order.

Standard Accessory: • NUT

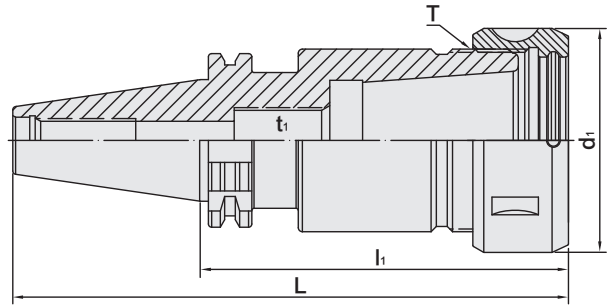
Collet	Nut	Pull Stud	Preset Screw	Spanner
P.W-41	P.W-57	P.W-63	P.W-88	P.W-68~72



DAT / TG COLLET CHUCK



DAT / TG 立銑刀夾頭



T W PAT NO. M298033
 T W PAT NO. M311791
 J P PAT NO. 3128766
 K R PAT NO. 20-0433603
 C N PAT NO. ZL200620132661.0
 C H PAT NO. 696550
 T R PAT NO. TR 2007 02942 Y
 I T PAT NO. N.0000266731

MODEL NO.	TYPE	L	l ₁	d ₁	t ₁	T	SIZE RANGE	WEIGHT (KGS)
42101	DAT30 x TG75 - 70	117.8	70	50	M16 x 2.0P	TW 1-1/2" - 12	3 ~ 16	1.10
42107	DAT30 x TG100 - 80	127.8	80	60	M12 x 1.75P	TW 1-7/8" - 12	3 ~ 25	1.20
42120	DAT40 x TG100 - 80	148.4	80	60	M16 x 2.0P	TW 1-7/8" - 12	3 ~ 25	1.20
42123	DAT40 x TG100 - 100	168.4	100	60	M16 x 2.0P	TW 1-7/8" - 12	3 ~ 25	1.30
42126	DAT40 x TG100 - 120	188.4	120	60	M16 x 2.0P	TW 1-7/8" - 12	3 ~ 25	2.40
42129	DAT40 x TG150 - 105	173.4	105	82	M24 x 2.0P	TW 2-5/8" - 12	4 ~ 38	2.70
42132	DAT40 x TG150 - 120	188.4	120	82	M24 x 2.0P	TW 2-5/8" - 12	4 ~ 38	2.90
42135	DAT40 x TG150 - 135	203.4	135	82	M24 x 2.0P	TW 2-5/8" - 12	4 ~ 38	3.20
42158	DAT50 x TG100 - 70	171.75	70	60	M24 x 2.0P	TW 1-7/8" - 12	3 ~ 25	3.40
42161	DAT50 x TG100 - 100	201.75	100	60	M24 x 2.0P	TW 1-7/8" - 12	3 ~ 25	4.40
42164	DAT50 x TG100 - 120	221.75	120	60	M24 x 2.0P	TW 1-7/8" - 12	3 ~ 25	5.10
42167	DAT50 x TG150 - 100	201.75	100	82	M24 x 2.0P	TW 2-5/8" - 12	4 ~ 38	5.70
42170	DAT50 x TG150 - 120	221.75	120	82	M24 x 2.0P	TW 2-5/8" - 12	4 ~ 38	6.10
42173	DAT50 x TG150 - 150	251.75	150	82	M24 x 2.0P	TW 2-5/8" - 12	4 ~ 38	6.50

Product information:

- ▶ The pre-balance reaches G6.3 10,000 rpm. Higher balancing grade and revolution can be done upon request but additional charge is needed.
- ▶ AD+B type is available, please inform us when making an order.

Standard Accessory: • NUT

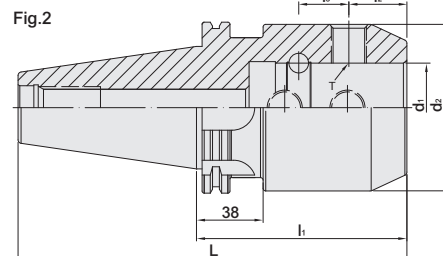
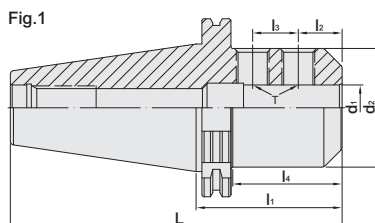
Collet	Nut	Pull Stud	Preset Screw	Spanner
P.W-42~44	P.W-57	P.W-63	P.W-88	P.W-72



DAT / SLN SIDE LOCK END MILL HOLDER

DAT / SLN 側固式立銑刀柄

(DIN 1835)





MODEL NO.	TYPE	L	l ₁	l ₂	l ₃	l ₄	d ₁	d ₂	T	Fig	WEIGHT (KGS)
42901	DAT30 x SLN6 - 50	97.8	50	18	-	25	6	25	M6 x 1.0P	1	0.73
42902	DAT30 x SLN8 - 50	97.8	50	18	-	27	8	28	M8 x 1.25P	1	0.80
42903	DAT30 x SLN10 - 50	97.8	50	20	-	27	10	35	M10 x 1.5P	1	0.90
42904	DAT30 x SLN12 - 50	97.8	50	22.5	-	29	12	42	M12 x 1.75P	1	0.90
42905	DAT30 x SLN16 - 63	110.8	63	24	-	43	16	45	M14 x 2.0P	1	1.10
42911	DAT40 x SLN6 - 50	118.4	50	18	-	27	6	25	M6 x 1.0P	1	0.85
42913	DAT40 x SLN8 - 50	118.4	50	18	-	27	8	28	M8 x 1.25P	1	1.00
42915	DAT40 x SLN10 - 50	118.4	50	20	-	27	10	35	M10 x 1.5P	1	1.10
42917	DAT40 x SLN12 - 50	118.4	50	22.5	-	30	12	42	M12 x 1.75P	1	1.15
42918	DAT40 x SLN14 - 63	131.4	63	22.5	-	40.9	14	44	M12 x 1.75P	1	1.30
42919	DAT40 x SLN16 - 63	131.4	63	24	-	43	16	48	M14 x 2.0P	1	1.40
42921	DAT40 x SLN20 - 63	131.4	63	25	-	43	20	52	M16 x 2.0P	1	1.30
42923	DAT40 x SLN25 - 100	168.4	100	24	25	65	25	65	M18 x 2.0P	1	2.40
42925	DAT40 x SLN32 - 100	168.4	100	24	28	65	32	72	M20 x 2.0P	1	2.70
42931	DAT50 x SLN6 - 63	164.75	63	18	-	33	6	25	M6 x 1.0P	1	3.10
42933	DAT50 x SLN8 - 63	164.75	63	18	-	33	8	28	M6 x 1.0P	1	3.10
42935	DAT50 x SLN10 - 63	164.75	63	20	-	33	10	35	M10 x 1.5P	1	3.30
42937	DAT50 x SLN12 - 63	164.75	63	22.5	-	40	12	42	M12 x 1.75P	1	3.50
42938	DAT50 x SLN14 - 63	164.75	63	22.5	-	40.9	14	44	M12 x 1.75P	1	3.50
42939	DAT50 x SLN16 - 63	164.75	63	24	-	40	16	48	M14 x 2.0P	1	3.45
42941	DAT50 x SLN20 - 63	164.75	63	25	-	40	20	52	M16 x 2.0P	1	3.50
42943	DAT50 x SLN25 - 80	181.75	80	24	25	59	25	65	M18 x 2.0P	1	4.20
42945	DAT50 x SLN32 - 100	201.75	100	24	28	78	32	72	M20 x 2.0P	1	5.00
42947	DAT50 x SLN40 - 100	201.75	100	30	32	80	40	90	M20 x 2.0P	1	5.60
42949	DAT50 x SLN42 - 100	201.75	100	30	32	80	42	90	M20 x 2.0P	1	5.70
42951	DAT50 x SLN50 - 125	226.75	125	35	35	85	50	100	M24 x 2.0P	1	5.90
42952	DAT50 x SLN50.8 - 120	221.75	120	33.1	28.58	82	50.8	95	M20 x 2.0P	2	5.80
42953	DAT50 x SLN63 - 150	251.75	150	40	40	112	63	125	M20 x 2.0P	1	6.20
42955	DAT50 x SLN63 - 150	251.75	150	40	24	112	63	125	M16 x 2.0P	2	6.20

Features:

- ▶ Internal hole tolerance: H5 (DIN-1835-B standard).
- ▶ The tolerance of tool shank diameter is within h6.

Product information:

- ▶ The pre-balance reaches G6.3 8,000 rpm. Higher balancing grade and revolution can be done upon request but additional charge is needed.
- ▶ AD+B type is available, please inform us when making an order.

Pull Stud	Lock Screw
	
P.W-63	P.W-90

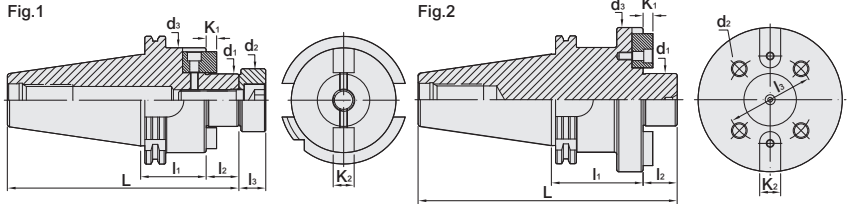


DAT FACE MILL ARBOR

FMB TYPE

DAT / FMB 平面銑刀柄

(DIN 6357-B)





MODEL NO.	TYPE	L	l ₁	l ₂	l ₃	d ₁	d ₂	d ₃	K ₁	K ₂	Fig	WEIGHT (KGS)
42701	DAT30 x FMB22 - 35	101.8	35	19	14	22	26	45	5	10	1	1.00
42703	DAT30 x FMB27 - 55	122.8	55	20	16	27	31.5	58	5	12	1	1.05
42711	DAT40 x FMB22 - 35	122.4	35	19	14	22	26	48	5	10	1	1.20
42713	DAT40 x FMB27 - 60	148.4	60	20	16	27	31.5	58	5	12	1	1.80
42715	DAT40 x FMB32 - 60	150.4	60	22	16	32	41	66	6	14	1	2.00
42717	DAT40 x FMB40 - 60	153.4	60	25	20.5	40	48	80	8	16	1	2.60
42721	DAT50 x FMB22 - 35	155.75	35	19	14	22	26	48	5	10	1	3.40
42723	DAT50 x FMB27 - 35	156.75	35	20	16	27	31.5	60	5	12	1	3.50
42725	DAT50 x FMB32 - 35	158.75	35	22	16	32	41	66	6	14	1	3.70
42727	DAT50 x FMB40 - 50	176.75	50	25	20.5	40	48	80	8	16	1	4.70
42729	DAT50 x FMB50 - 60	191.75	60	30	25	50	68	95	10	19	1	5.80
42761	DAT40 x FMB40F - 60	158.4	60	30	-	40	M12	89	7.9	16	2	2.90
42763	DAT50 x FMB40F - 70	201.75	70	30	-	40	M12	89	7.9	16	2	5.50
42765	DAT50 x FMB60F - 70	211.75	70	40	-	60	M16	129	12.5	25.4	2	5.70
42775	DAT50 x FS60 - 70	196.75	70	25	-	60	M16	140	12.5	25.4	2	5.50

Features:

- ▶ d1 tolerance: h6.
- ▶ Coolant through tool holder; screw with coolant flute needs to be purchased additionally.

Product information:

- ▶ The pre-balance reaches G6.3 3,000 rpm. Higher balancing grade and revolution can be done upon request but additional charge is needed.
- ▶ AD+B type is available, please inform us when making an order.
- ▶ DAT30 tool holders are without coolant supply over collars.

Pull Stud	Screw
	
P.W-63	P.W-90

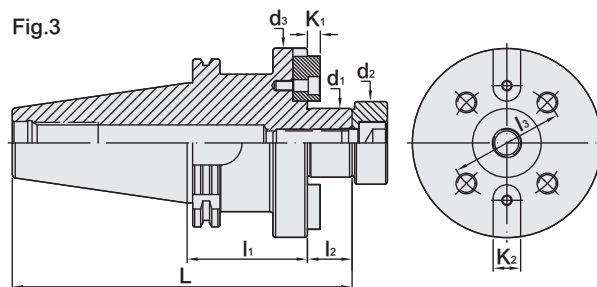


DAT FACE MILL ARBOR

FMB TYPE

DAT 平面铣刀柄

(DIN 6357-B)





MODEL NO.	TYPE	L	l ₁	l ₂	l ₃	d ₁	d ₂	d ₃	K ₁	K ₂	Fig	WEIGHT (KGS)
42771	DAT40 x FS40 - 60	154.4	60	26	66.7	40	48	110	7.5	16	3	3.20
42773	DAT50 x FS40 - 70	197.75	70	26	66.7	40	48	110	7.5	16	3	5.70

Features:

- ▶ d₁ tolerance: h6.
- ▶ Coolant through tool holder; screw with coolant flute needs to be purchased additionally.

Product information:

- ▶ The pre-balance reaches G6.3 3,000 rpm. Higher balancing grade and revolution can be done upon request but additional charge is needed.
- ▶ AD+B type is available, please inform us when making an order.

Pull Stud	Screw
	
P.W-63	P.W-90

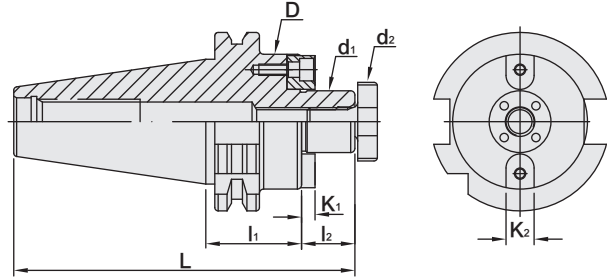


DAT FACE MILL ARBOR

FMC TYPE

DAT / FMC 平面銑刀柄

(DIN 6357-B)



MODEL NO.	TYPE	L	l ₁	l ₂	D	d ₁	d ₂	K ₁	K ₂	WEIGHT (KGS)
50.157.16.060	DAT30 x FMC16 - 60	124.8	60	17	38	16	20	5	8	0.84
50.157.22.060	DAT30 x FMC22 - 60	126.8	60	19	50	22	28	4.8	10	0.91
50.157.27.060	DAT30 x FMC27 - 60	128.8	60	21	60	27	35	5.8	12	1.11
51.157.16.050	DAT40 x FMC16 - 50	135.4	50	17	38	16	20	5	8	1.25
51.157.22.050	DAT40 x FMC22 - 50	137.4	50	19	50	22	28	4.8	10	1.32
51.157.27.060	DAT40 x FMC27 - 60	149.4	60	21	60	27	35	5.8	12	1.55
51.157.32.060	DAT40 x FMC32 - 60	152.4	60	24	78	32	42	6.8	14	1.85
52.157.16.050	DAT50 x FMC16 - 50	168.75	50	17	40	16	20	5	8	3.01
52.157.22.050	DAT50 x FMC22 - 50	170.75	50	19	50	22	28	4.8	10	3.08
52.157.27.050	DAT50 x FMC27 - 50	172.75	50	21	60	27	35	5.8	12	3.28
52.157.32.060	DAT50 x FMC32 - 60	185.75	60	24	78	23	42	6.8	14	3.61
52.157.40.070	DAT50 x FMC40 - 70	198.75	70	27	89	40	52	8.3	16	4.21



Features:

▶ With four coolant holes at the end of holder.

Product information:

- ▶ The pre-balance reaches G6.3 3,000 rpm. Higher balancing grade and revolution can be done upon request but additional charge is needed.
- ▶ AD+B type is available, please inform us when making an order.
- ▶ DAT30 tool holders are without coolant supply over collars.

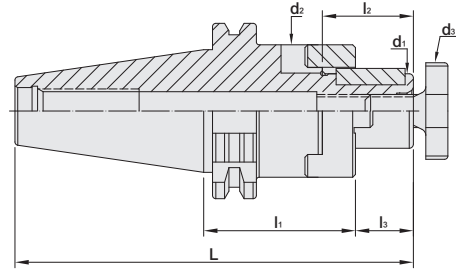
Nut	Pull Stud	Spanner
		
P.W-67	P.W-63	P.W-67



DAT / CSR COMBI SHELL END MILL ARBOR

DAT / CSR 聯結式 銑刀柄

(DIN 6358-B)



MODEL NO.	TYPE	L	l ₁	l ₂	l ₃	d ₁	d ₂	d ₃	WEIGHT (KGS)
42800	DAT30 x CSR16 - 50	114.8	50	27	17	16	32	20	1.40
42801	DAT30 x CSR22 - 50	116.8	50	31	19	22	40	28	1.60
42803	DAT30 x CSR27 - 55	123.8	55	33	21	27	48	35	1.80
42810	DAT40 x CSR16 - 55	140.4	55	27	17	16	32	20	1.20
42811	DAT40 x CSR22 - 55	142.4	55	31	19	22	40	28	1.50
42813	DAT40 x CSR27 - 55	144.4	55	33	21	27	48	35	1.90
42815	DAT40 x CSR32 - 60	152.4	60	38	24	32	58	42	2.40
42817	DAT40 x CSR40 - 60	155.4	60	41	27	40	70	52	3.00
42820	DAT50 x CSR16 - 55	173.75	55	27	17	16	32	20	4.40
42821	DAT50 x CSR22 - 55	175.75	55	31	19	22	40	28	4.60
42823	DAT50 x CSR27 - 55	177.75	55	33	21	27	48	35	4.80
42825	DAT50 x CSR32 - 55	180.75	55	38	24	32	58	42	5.00
42827	DAT50 x CSR40 - 55	183.75	55	41	27	40	70	52	5.20
42829	DAT50 x CSR50 - 70	201.75	70	46	30	50	90	63	5.40

Features:

- ▶ Shank includes removable ring, nut and spanner.
- ▶ Can purchase removable ring, nut, and spanner separately.

Product information:

- ▶ The pre-balance reaches G6.3 3,000 rpm. Higher balancing grade and revolution can be done upon request but additional charge is needed.

Standard Accessory: • KEY • REMOVABLE RING • NUT • SPANNER

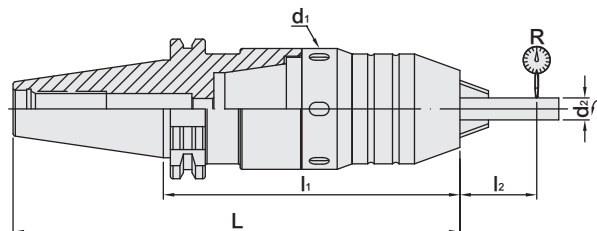
Key	Removable Ring	Nut	Pull Stud	Spanner
				
P.W-67	P.W-67	P.W-67	P.W-63	P.W-67



DAT / SPH DRILL CHUCK ADAPTER

INTEGRATED TYPE

DAT / SPH 直結式鑽夾頭



MODEL NO.	TYPE	L	l ₁	l ₂	d ₁	d ₂	R	WEIGHT (KGS)
42536	DAT40 x SPH8 - 90	158.4	90	55	42	6	0.04	1.78
42542	DAT40 x SPH13 - 115	183.4	115	75	54	13	0.04	2.33
42544	DAT40 x SPH13 - 135	203.4	135	75	54	13	0.04	2.63
42550	DAT40 x SPH16 - 130	198.4	130	80	62	13	0.04	2.83
42554	DAT40 x SPH16 - 150	218.4	150	80	62	13	0.04	3.18
42560	DAT50 x SPH8 - 85	186.75	85	55	42	6	0.04	2.33
42564	DAT50 x SPH13 - 100	201.75	100	75	54	13	0.04	2.63
42568	DAT50 x SPH13 - 120	221.75	120	75	54	13	0.04	2.83
42572	DAT50 x SPH16 - 100	201.75	100	80	62	13	0.04	3.15
42576	DAT50 x SPH16 - 120	221.75	120	80	62	13	0.04	3.25

Features:

- ▶ The adapter has a taper design to assemble with drill chuck and then lock with a screw, drill chuck would not fall off.
- ▶ Used for drilling & tapping.
- ▶ The clamping capacity of SPH8 is 1~8mm.
- ▶ The clamping capacity of SPH13 is 1~13mm.
- ▶ The clamping capacity of SPH16 is 3~16mm.

Product information:

- ▶ The pre-balance reaches G6.3 8,000 rpm. Higher balancing grade and revolution can be done upon request but additional charge is needed.

Standard Accessory: • SPANNER

Pull Stud

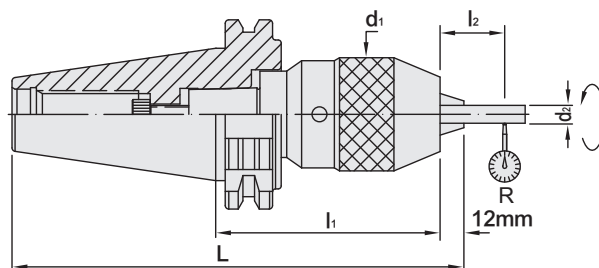


P.W-63



DAT / SPU DRILL CHUCK ADAPTER

DAT / SPU 直結式鑽夾頭



MODEL NO.	TYPE	L	l ₁	l ₂	d ₁	d ₂	R	WEIGHT (KGS)
42480	DAT30 x SPU8 - 80	139.8	80	55	37	6	0.04	0.60
42482	DAT30 x SPU13 - 120	179.8	120	75	50	13	0.04	1.45
42483	DAT30 x SPU16 - 120	179.8	120	75	57	16	0.04	1.78
42485	DAT40 x SPU8 - 75	155.4	75	55	37	6	0.04	1.32
42487	DAT40 x SPU13 - 100	176.4	96	75	50	13	0.04	1.92
42488	DAT40 x SPU16 - 115	195.4	115	80	57	16	0.04	2.28
42489	DAT50 x SPU8 - 75	188.75	75	55	37	6	0.04	3.86
42495	DAT50 x SPU13 - 100	213.75	100	75	50	13	0.04	4.40
42496	DAT50 x SPU16 - 105	218.75	105	80	57	16	0.04	4.48

Features:

- ▶ The adapter has a taper design to assemble with drill chuck and then lock with a screw, drill chuck would not fall off.
- ▶ Used for drilling.
- ▶ The clamping capacity of SPU8 is 1~8mm.
- ▶ The clamping capacity of SPU13 is 1~13mm.
- ▶ The clamping capacity of SPU16 is 3~16mm.

Product information:

- ▶ The pre-balance reaches G6.3 8,000 rpm. Higher balancing grade and revolution can be done upon request but additional charge is needed.

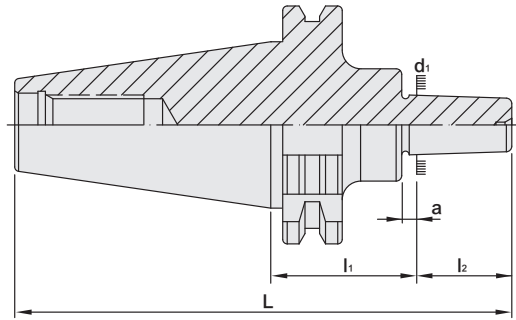
Standard Accessory: • SPANNER

Pull Stud	Spanner
	
P.W-63	P.W-72



DAT DRILL CHUCK ARBOR

DAT 鑽夾頭刀柄





MODEL NO.	TYPE	L	l ₁	l ₂	d ₁	a	WEIGHT (KGS)
42605	DAT30 x JTA6 - 40	113.2	40	25.4	17.17	4	0.90
42617	DAT40 x JTA6 - 40	133.8	40	25.4	17.17	4	1.30
42627	DAT50 x JTA6 - 40	167.15	40	25.4	17.17	4	3.40
42601	DAT30 x B12 - 40	106.3	40	18.5	12.065	3.5	0.70
42603	DAT30 x B16 - 40	111.8	40	24	15.733	5	1.10
42611	DAT40 x B12 - 40	126.9	40	18.5	12.065	3.5	1.25
42613	DAT40 x B16 - 40	132.4	40	24	15.733	5	1.30
42615	DAT40 x B18 - 40	140.4	40	32	17.78	5	1.40
42621	DAT50 x B12 - 40	160.25	40	18.5	12.065	3.5	3.10
42623	DAT50 x B16 - 40	165.75	40	24	15.733	5	3.20
42625	DAT50 x B18 - 40	173.75	40	32	17.78	5	3.30

Features:

- ▶ For Drill Chuck with DIN 238.

Product information:

- ▶ The pre-balance reaches G6.3 8 ,000 rpm. Higher balancing grade and revolution can be done upon request but additional charge is needed.

Keyless Drill Chuck	Pull Stud
	
P.W-83	P.W-63

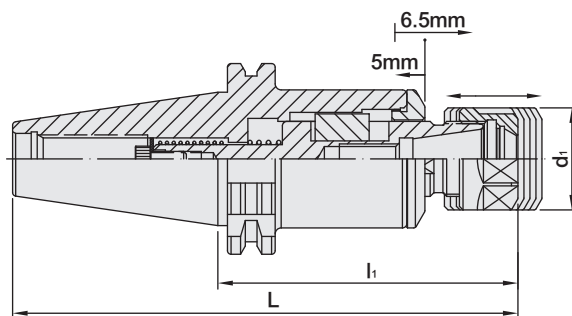
DAT EXPANSION ER TAPPER



DAT / ETP 伸縮 ER 攻牙器



T W PAT NO. M298033
 T W PAT NO. M311791
 J P PAT NO. 3128766
 K R PAT NO. 20-0433603
 C N PAT NO. ZL200620132661.0
 C H PAT NO. 696550
 T R PAT NO. TR 2007 02942 Y
 I T PAT NO. N.0000266731



MODEL NO.	TYPE	L	l ₁	d ₁	COLLET	CAPACITY	WEIGHT (KGS)
42362	DAT40 x ETP16A - 120	188.4	120	28	ER16	M3 - M10	1.65
42364	DAT40 x ETP16A - 150	218.4	150	28	ER16	M3 - M10	1.85
42366	DAT40 x ETP20A - 100	168.4	100	34	ER20	M3 - M16	1.50
42368	DAT40 x ETP20A - 150	218.4	150	34	ER20	M3 - M16	1.90
42370	DAT40 x ETP20M - 200	268.4	200	28	ER20	M3 - M16	2.15
42372	DAT40 x ETP32 - 120	188.4	120	50	ER32	M3 - M27	2.10
42380	DAT50 x ETP16A - 120	221.75	120	28	ER16	M3 - M10	4.30
42382	DAT50 x ETP16A - 150	251.75	150	28	ER16	M3 - M10	4.50
42384	DAT50 x ETP20A - 100	201.75	100	34	ER20	M3 - M16	4.30
42386	DAT50 x ETP20A - 150	251.75	150	34	ER20	M3 - M16	4.60
42388	DAT50 x ETP20M - 200	301.75	200	28	ER20	M3 - M16	4.70
42390	DAT50 x ETP32 - 120	221.75	120	50	ER32	M3 - M27	4.65

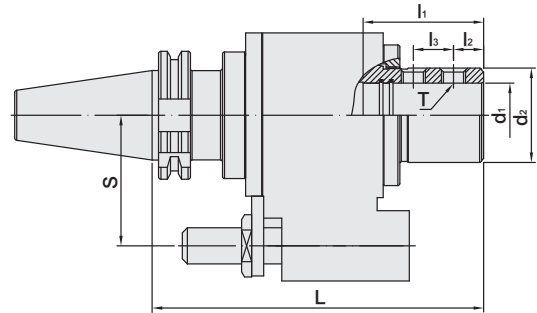
Standard Accessory: • NUT

Collet	Nut	Pull Stud	Preset Screw	Spanner
P.W-7~10,20~25	P.W-48	P.W-63	P.W-88	P.W-68~71



DAT SIDE LOCK OIL HOLE HOLDER

DAT / OSL 側固式油路刀把







MODEL NO.	TYPE	L	l ₁	l ₂	l ₃	S	d ₁	d ₂	T	WEIGHT (KGS)
48001	DAT40 x OSL16 - 165	165	48	25	-	65	16	46.5	M12 x 1.75P	3.50
48003	DAT40 x OSL20 - 165	165	50	25	-	65	20	46.5	M12 x 1.75P	3.50
48005	DAT40 x OSL25 - 165	165	56	15	20	65	25	46.5	M12 x 1.75P	3.50
48007	DAT40 x OSL32 - 165	165	60	15	20	65	32	47	M12 x 1.75P	3.50
48002	DAT40 x OSL16 - 165S	165	48	25	-	60	16	46.5	M12 x 1.75P	3.50
48004	DAT40 x OSL20 - 165S	165	50	25	-	60	20	46.5	M12 x 1.75P	3.50
48006	DAT40 x OSL25 - 165S	165	56	15	20	60	25	46.5	M12 x 1.75P	3.50
48008	DAT40 x OSL32 - 165S	165	60	15	20	60	32	47	M12 x 1.75P	3.80
48009	DAT50 x OSL16 - 165	165	48	25	-	80	16	56	M14 x 2.0P	7.00
48011	DAT50 x OSL20 - 165	165	50	25	-	80	20	56	M12 x 1.75P	7.50
48013	DAT50 x OSL25 - 165	165	56	15	20	80	25	56	M16 x 2.0P	7.50
48015	DAT50 x OSL32 - 170	170	60	15	20	80	32	56	M16 x 2.0P	7.80
48017	DAT50 x OSL40 - 170	170	62	15	25	80	40	56	M14 x 2.0P	8.50
48019	DAT50 x OSL16 - 165M	165	48	25	-	82	16	56	M14 x 2.0P	7.10
48021	DAT50 x OSL20 - 165M	165	50	25	-	82	20	56	M12 x 1.75P	7.60
48023	DAT50 x OSL25 - 165M	165	56	15	20	82	25	56	M16 x 2.0P	7.70
48025	DAT50 x OSL32 - 170M	170	60	15	20	82	32	56	M16 x 2.0P	7.80
48027	DAT50 x OSL40 - 170M	170	62	15	25	82	40	56	M14 x 2.0P	8.50
48029	DAT50 x OSL16 - 165L	165	48	25	-	85	16	56	M14 x 2.0P	7.20
48031	DAT50 x OSL20 - 165L	165	50	25	-	85	20	56	M12 x 1.75P	7.80
48033	DAT50 x OSL25 - 165L	165	56	15	20	85	25	56	M16 x 2.0P	7.80
48035	DAT50 x OSL32 - 170L	170	60	15	20	85	32	56	M16 x 2.0P	8.00
48037	DAT50 x OSL40 - 170L	170	62	15	25	85	40	56	M14 x 2.0P	8.70

Features:

- ▶ Internal hole tolerance is H5.
- ▶ The tolerance of tool shank diameter is within h6.
- ▶ Used for machines w/o center or side coolant and achieve coolant through tools.

Product information:

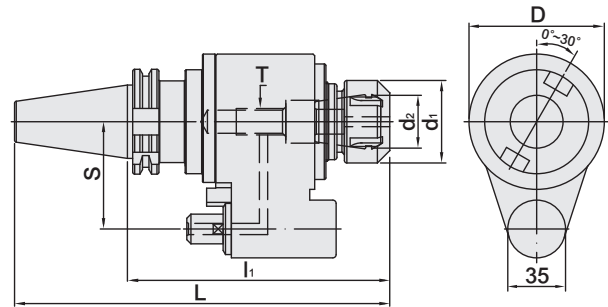
- ▶ Water pressure up to 7 kgf/cm².
- ▶ Max. revolution: 3,000 rpm.

Straight Sleeve	Fixed Block	Pull Stud	Lock Screw
			
P.W-83	P.W-94	P.W-63	P.W-90

DAT / OHER OIL HOLE COLLET CHUCK



DAT / OHER 油路刀把



T W PAT NO. M298033
 T W PAT NO. M311791
 J P PAT NO. 3128766
 K R PAT NO. 20-0433603
 C N PAT NO. ZL200620132661.0
 C H PAT NO. 696550
 T R PAT NO. TR 2007 02942 Y
 I T PAT NO. N.0000266731

MODEL NO.	TYPE	L	l ₁	D	d ₁	d ₂ ER	S	T	WEIGHT (KGS)
48202	DAT40 x OHER16 - 160	225.4	160	82	28	16	65	M10	3.80
48204	DAT40 x OHER20 - 160	225.4	160	82	34	20	65	M12	4.10
48206	DAT40 x OHER25 - 160	225.4	160	82	42	25	65	M16	4.30
48208	DAT40 x OHER32 - 160	225.4	160	82	50	32	65	M16	4.50
48210	DAT50 x OHER16 - 160	261.8	160	98	28	16	80	M10	7.00
48212	DAT50 x OHER20 - 160	261.8	160	98	34	20	80	M12	7.10
48214	DAT50 x OHER25 - 160	261.8	160	98	42	25	80	M16	7.20
48216	DAT50 x OHER32 - 160	261.8	160	98	50	32	80	M16	7.30
48218	DAT50 x OHER40 - 160	261.8	160	98	63	40	80	M20	7.50

Features:

- ▶ Internal hole tolerance is H5.
- ▶ The tolerance of tool shank diameter is within h6.
- ▶ Used for machines w/o center or side coolant and achieve coolant through tools.

Product information:

- ▶ Water pressure up to 7 kgf/cm².
- ▶ Max. revolution: 3,000 rpm.

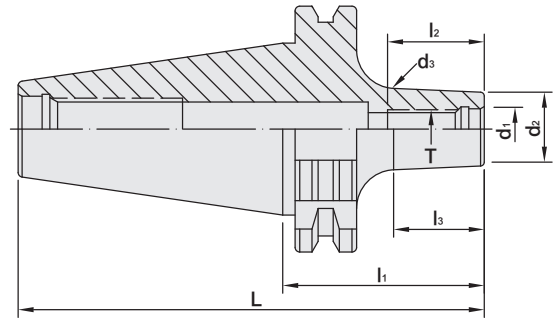
Standard Accessory: • NUT

Collet	Nut	Fixed Block	Pull Stud	Preset Screw	Spanner
P.W-7~17	P.W-48,51	P.W-94	P.W-63	P.W-88	P.W-68~71



DAT / SOM SCREWED END MILL HOLDER

DAT / SOM 螺紋鎖固式刀桿



T W PAT NO. M270871

MODEL NO.	TYPE	L	l ₁	l ₂	l ₃	d ₁	d ₂	d ₃	T	WEIGHT (KGS)
49200	DAT30 x SOM6 - 60	107.8	60	25	31	6.5	13	15	M6 x 1.0P	0.40
49202	DAT30 x SOM8 - 60	107.8	60	25	31	8.5	15	17	M8 x 1.25P	0.40
49204	DAT30 x SOM10 - 60	107.8	60	25	31	10.5	19	21	M10 x 1.5P	0.40
49206	DAT30 x SOM12 - 70	117.8	70	31	41	12.5	21	23	M12 x 1.75P	0.42
49208	DAT30 x SOM16 - 80	127.8	80	31	56	17	25	29	M16 x 2.0P	0.42
49220	DAT40 x SOM6 - 60	128.4	60	25	31	6.5	13	15	M6 x 1.0P	1.00
49222	DAT40 x SOM8 - 60	128.4	60	25	31	8.5	15	17	M8 x 1.25P	1.00
49224	DAT40 x SOM10 - 60	128.4	60	25	31	10.5	19	21	M10 x 1.5P	1.10
49226	DAT40 x SOM12 - 70	138.4	70	31	41	12.5	21	23	M12 x 1.75P	1.10
49228	DAT40 x SOM16 - 80	148.4	80	30	56	17	25	29	M16 x 2.0P	1.20
49240	DAT50 x SOM6 - 60	161.75	60	25	31	6.5	13	15	M6 x 1.0P	2.90
49242	DAT50 x SOM8 - 60	161.75	60	25	31	8.5	15	17	M8 x 1.25P	2.90
49244	DAT50 x SOM10 - 60	161.75	60	25	31	10.5	19	21	M10 x 1.5P	3.00
49246	DAT50 x SOM12 - 70	171.75	70	31	41	12.5	21	23	M12 x 1.75P	3.00
49248	DAT50 x SOM16 - 80	181.75	80	31	56	17	25	29	M16 x 2.0P	3.00

Features:

▶ For center coolant (DIN 69871-AD).

Product information:

- ▶ The pre-balance reaches G6.3 10,000 rpm. Higher balancing grade and revolution can be done upon request but additional charge is needed.
- ▶ AD+B type is available, please inform us when making an order.
- ▶ DAT30 tool holders are without coolant supply over collars.

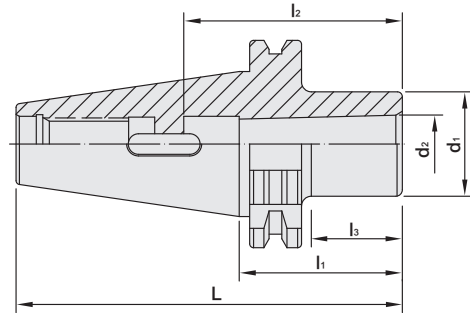
STR Cutting Tool	RG Cutting Tool	DM Cutting Tool	Extension Spacer	Pull Stud
				
P.W-75	P.W-76	P.W-77	P.W-78	P.W-63

DAT MORSE TAPER ADAPTER

TANG TYPE

DAT 斜柄鑽頭套筒

(DIN 228-2)
(DIN 6383)



MODEL NO.	TYPE	L	l ₁	l ₂	l ₃	d ₁	d ₂	WEIGHT (KGS)
42651	DAT30 x MTA1 - 50	97.8	50	56	27	25	12.065	0.55
42653	DAT30 x MTA2 - 60	107.8	60	67	37	32	17.78	0.80
42655	DAT30 x MTA3 - 75	122.8	75	84	53	40	23.825	1.00
42661	DAT40 x MTA1 - 50	118.4	50	56	22	25	12.065	0.95
42663	DAT40 x MTA2 - 50	118.4	50	67	27	32	17.78	0.95
42665	DAT40 x MTA3 - 70	138.4	70	84	47	40	23.825	1.10
42667	DAT40 x MTA4 - 95	163.4	95	107	74	48	31.267	1.35
42671	DAT50 x MTA1 - 45	146.75	45	56	22	25	12.065	3.00
42673	DAT50 x MTA2 - 60	161.75	60	67	35	32	17.78	3.10
42675	DAT50 x MTA3 - 65	166.75	65	84	40	40	23.825	3.20
42677	DAT50 x MTA4 - 95	196.75	95	107	70	48	31.267	3.40
42679	DAT50 x MTA5 - 105	206.75	105	135	80	63	44.399	3.60

Features:

- ▶ The tools used for MTA are consistent with Morse Taper DIN 228 FORM B (with Tang).

Product information:

- ▶ The pre-balance reaches G6.3 3,000rpm. Higher balancing grade and revolution can be done upon request but additional charge is needed.

Pull Stud

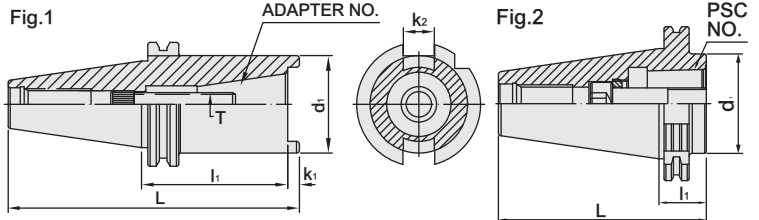


P.W-63



DAT ADAPTER

DAT 套筒



MODEL NO.	TYPE	NO.	L	l ₁	d ₁	k ₁	k ₂	T	MAX. TORQUE		FIG	WEIGHT (KGS)
									Nm	ft-lbs		
44010	DAT40 x TSA30M - 75	#30	149.4	75	50	6	16	M12 x 1.75P	45	33	1	1.80
44012	DAT40 x TSA30U - 75	#30	149.4	75	50	6	16	1/2" -12	45	33	1	1.80
51.501.32.030	DAT40 x PSC32 - 30	PSC32	98.4	30	32	-	-	M12 x 1.5P	45	33	2	1.40
51.501.40.040	DAT40 x PSC40 - 40	PSC40	108.4	40	40	-	-	M14 x 1.5P	55	40	2	1.50
51.501.50.050	DAT40 x PSC50 - 50	PSC50	118.4	50	50	-	-	M16 x 1.5P	95	70	2	1.60
51.501.63.090	DAT40 x PSC63 - 90	PSC63	158.4	90	63	-	-	M20 x 2.0P	170	125	2	2.00
44022	DAT50 x TSA30M - 75	#30	182.75	75	50	6	16	M12 x 1.75P	45	33	1	5.00
44024	DAT50 x TSA30U - 75	#30	182.75	75	50	6	16	1/2" -12	45	33	1	5.00
44026	DAT50 x TSA40M - 75	#40	184.75	75	85	8	16	M16 x 2.0P	45	33	1	4.60
44028	DAT50 x TSA40U - 75	#40	184.75	75	85	8	16	5/8" -11	45	33	1	4.60
52.501.32.030	DAT50 x PSC32 - 30	PSC32	131.75	30	32	-	-	M12 x 1.5P	45	33	2	4.20
52.501.40.030	DAT50 x PSC40 - 30	PSC40	131.75	30	40	-	-	M14 x 1.5P	55	40	2	4.30
52.501.50.030	DAT50 x PSC50 - 30	PSC50	131.75	30	50	-	-	M16 x 1.5P	95	70	2	4.40
52.501.63.030	DAT50 x PSC63 - 30	PSC63	131.75	30	63	-	-	M20 x 2.0P	170	125	2	4.50
52.501.63.100	DAT50 x PSC63 - 100	PSC63	201.75	100	63	-	-	M20 x 2.0P	170	125	2	5.00
52.501.63.150	DAT50 x PSC63 - 150	PSC63	251.75	150	63	-	-	M20 x 2.0P	170	125	2	5.20
52.501.63.200	DAT50 x PSC63 - 200	PSC63	301.75	200	63	-	-	M20 x 2.0P	170	125	2	5.40
52.501.63.250	DAT50 x PSC63 - 250	PSC63	351.75	250	63	-	-	M20 x 2.0P	170	125	2	5.80
52.501.63.300	DAT50 x PSC63 - 300	PSC63	401.75	300	63	-	-	M20 x 2.0P	170	125	2	6.00
52.501.80.050	DAT50 x PSC80 - 50	PSC80	151.75	50	80	-	-	M20 x 2.0P	170	125	2	4.80
52.501.80.070	DAT50 x PSC80 - 70	PSC80	171.75	70	80	-	-	M20 x 2.0P	170	125	2	4.90
52.501.80.100	DAT50 x PSC80 - 100	PSC80	201.75	100	80	-	-	M20 x 2.0P	170	125	2	5.10
52.501.80.120	DAT50 x PSC80 - 120	PSC80	221.75	120	80	-	-	M20 x 2.0P	170	125	2	5.20

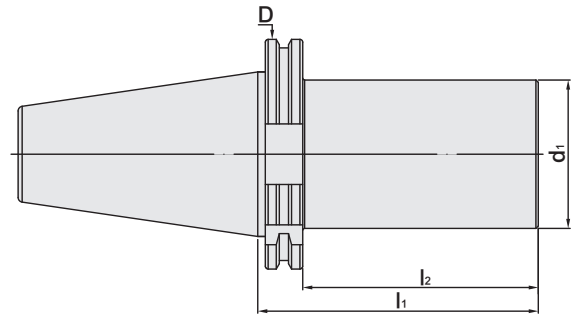
Pull Stud



P.W-63

DAT BLANK

DAT 素材



INCHES

MODEL NO.	TYPE	l_1	l_2	D	d_1	WEIGHT (KGS)
52.001.95.473	DAT50 x ϕ 2.75" - 4.734"	4.734	3.982	3.84	2.75	5.56
52.001.A4.332	DAT50 x ϕ 4.5" - 3.324"	3.324	2.572	3.84	4.5	7.09

Pull Stud



P.W-63



MEMO

Blank lined area for writing a memo.

