

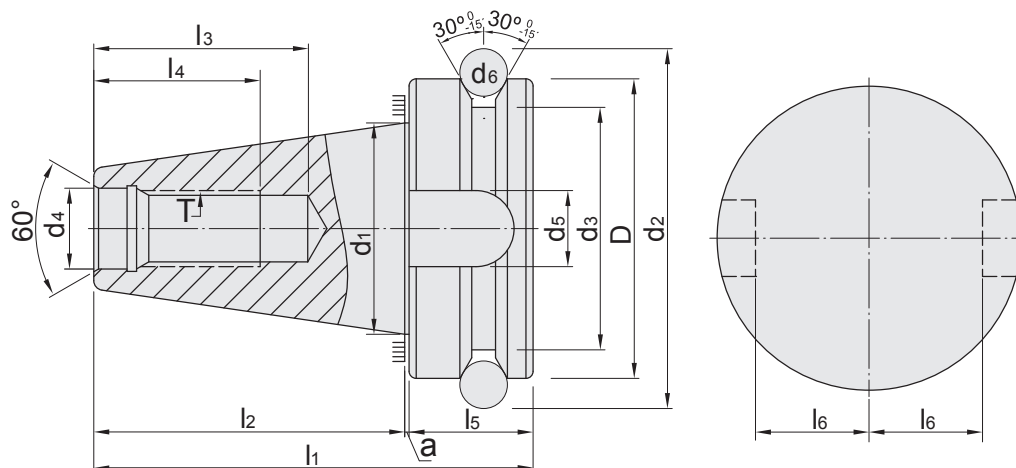
SBT CATEGORY

PNER COLLET CHUCK	D-3~4
PTER COLLET CHUCK	D-5~7
UT COLLET CHUCK	D-8~10
ER COLLET CHUCK	D-11~13
ER COLLET CHUCK [M TYPE]	D-14~15
SKX COLLET CHUCK	D-16~18
SK3 COLLET CHUCK	D-19~20
SKS COLLET CHUCK	D-21~23
SBL SLIM-FIT COLLET CHUCK	D-24
SBLC SLIM-FIT COLLET CHUCK	D-25
EBL SLIM-FIT COLLET CHUCK	D-26
MLD MULTI-LOCK MILLING CHUCK	D-27~29
SLN SIDE LOCK END MILL HOLDER	D-30~34
SLN SIDE LOCK END MILL HOLDER [JIS TYPE]	D-35~36
FACE MILL ARBOR [FMA/FMB TYPE]	D-37~41
FACE MILL ARBOR [FMC TYPE]	D-42~44
SMA FACE MILL ARBOR	D-45
SIDE CUTTER ADAPTER	D-46~47
MORSE TAPER ADAPTER	D-48~49
ADAPTER	D-50
BLANK	D-51

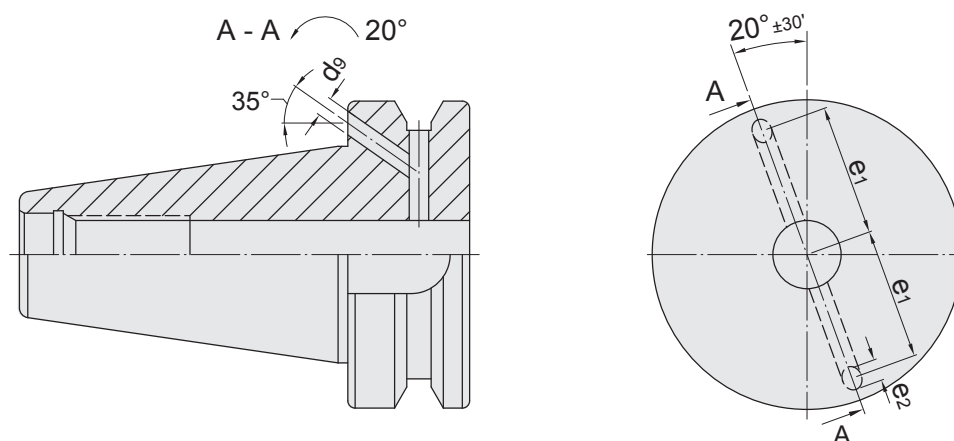
REFERENCE DETAILS

- ▶ Taper tolerance < **AT3**
- ▶ Hardness > **HRC 56°**
- ▶ Surface roughness: Ra < **0.25 μm**
- ▶ Roundness < **0.8 μm**
- ▶ Carbon depth > **0.8mm**
- ▶ The shank has pre-balance at G6.3, and can provide precision balance at G2.5. It can be ordered by request.

SBTA



SBT AD+B



SBT	D _{h8}	d ₁	d ₂	d ₃	d ₄ _{H8}	d ₅ _{H12}	d ₆	d ₉ _{H12}	a ₀ -0.005
30	46	31.75	56.14	38	12.5	16.1	8	-	1
40	63	44.45	75.679	53	17	16.1	10	4	1
50	100	69.85	119.02	85	25	25.7	15	6	1.5
SBT	l ₁	l ₂ ±0.2	l ₃ min	l ₄ min	l ₅	l ₆ 0 -0.2	e ₁ ±0.1	e ₂ MAX	T 6H
30	70.4	48.4	34	24	21	16	-	-	M12 x 1.75P
40	92.4	65.4	43	30	26	22.6	27	5	M16 x 2.0P
50	139.8	101.8	62	45	36.5	35.4	42	7	M24 x 3.0P

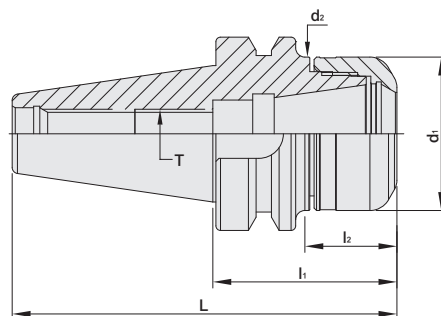
SBT / PNER COLLET CHUCK



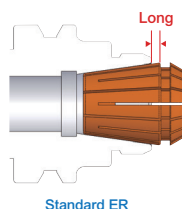
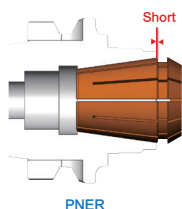
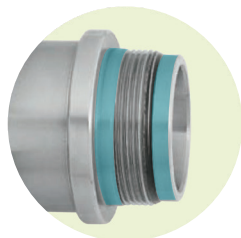
SBT / PNER 法蘭加厚型立銑刀夾頭



TW PAT NO. M298033
 TW PAT NO. M311791
 TW PAT NO. M501316
 J P PAT NO. 3128766
 J P PAT NO. 3200356
 K R PAT NO. 20-0433603
 C N PAT NO. ZL200620132661.0
 C H PAT NO. 696550
 T R PAT NO. TR 2007 02942 Y
 I T PAT NO. N.0000266731
 D E PAT NO. Nr.202015005621



MODEL NO.	TYPE	L	l ₁	l ₂	d ₁	d ₂	T	SIZE RANGE	WEIGHT (KGS)
25.273.16.050	SBT30 x PNER16 - 50	98.4	50	27	30	30	M10 x 1.5P	3 ~ 10	0.80
25.273.16.070	SBT30 x PNER16 - 70	118.4	70	45	30	30	M10 x 1.5P	3 ~ 10	0.70
25.273.16.100	SBT30 x PNER16 - 100	148.4	100	77	30	30	M10 x 1.5P	3 ~ 10	0.68
25.273.20.060	SBT30 x PNER20 - 60	108.4	60	37	32	32	M12 x 1.75P	3 ~ 13	0.80
25.273.20.100	SBT30 x PNER20 - 100	148.4	100	73	32	32	M12 x 1.75P	3 ~ 13	0.72
25.273.25.060	SBT30 x PNER25 - 60	108.4	60	37	40	40	M16 x 2.0P	3 ~ 16	0.90
25.273.25.100	SBT30 x PNER25 - 100	148.4	100	77	40	40	M16 x 2.0P	3 ~ 16	0.89
25.273.32.060	SBT30 x PNER32 - 60	108.4	60	33	50	50	-	3 ~ 20	1.00
25.273.32.100	SBT30 x PNER32 - 100	148.4	100	77	50	50	M16 x 2.0P	3 ~ 20	1.16
26.273.16.070	SBT40 x PNER16 - 70	135.4	70	40	30	30	M10 x 1.5P	3 ~ 10	1.12
26.273.16.130	SBT40 x PNER16 - 130	195.4	130	93	30	30	M10 x 1.5P	3 ~ 10	1.36
26.273.16.160	SBT40 x PNER16 - 160	225.4	160	123	30	30	M10 x 1.5P	3 ~ 10	1.49
26.273.20.070	SBT40 x PNER20 - 70	135.4	70	40	32	32	M12 x 1.75P	3 ~ 13	1.14
26.273.20.130	SBT40 x PNER20 - 130	195.4	130	93	32	32	M12 x 1.75P	3 ~ 13	1.41
26.273.20.160	SBT40 x PNER20 - 160	225.4	160	123	32	32	M12 x 1.75P	3 ~ 13	1.56
26.273.25.070	SBT40 x PNER25 - 70	135.4	70	40	40	40	M16 x 2.0P	3 ~ 16	1.19
26.273.25.130	SBT40 x PNER25 - 130	195.4	130	98	40	40	M16 x 2.0P	3 ~ 16	1.66
26.273.25.160	SBT40 x PNER25 - 160	225.4	160	128	40	40	M16 x 2.0P	3 ~ 16	1.92
26.273.32.070	SBT40 x PNER32 - 70	135.4	70	40	50	50	M16 x 2.0P	3 ~ 20	1.20
26.273.32.130	SBT40 x PNER32 - 130	195.4	130	100	50	50	M16 x 2.0P	3 ~ 20	2.07
26.273.32.160	SBT40 x PNER32 - 160	225.4	160	130	50	50	M16 x 2.0P	3 ~ 20	2.49
26.273.40.070	SBT40 x PNER40 - 70	135.4	70	38	63	63	M20 x 2.0P	6 ~ 26	1.40



Features:

- ▶ PN collet is well covered in PNER tool holder, improving overall runout accuracy and the machining stability.

Product information:

- ▶ Balance: G2.5 25,000 rpm. Higher balancing grade and revolution can be done upon request but additional charge is needed.
- ▶ AD+B type is available, please inform us when making an order.
- ▶ SBT30 tool holders are without coolant supply over collars. ▶ Use PN 3µm collet.

Standard Accessory: • NUT

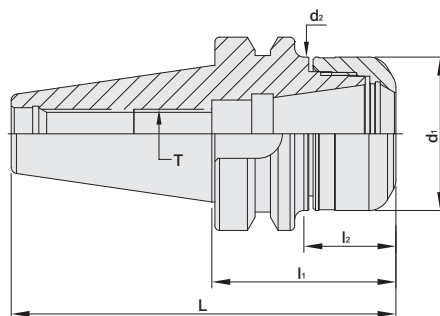
Collet	Nut	Pull Stud	Preset Screw	Spanner
P.W-5	P.W-45	P.W-60~61	P.W-88	P.W-68~73



SBT / PNER COLLET CHUCK

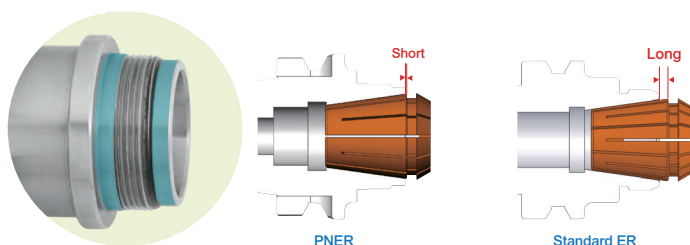


SBT / PNER 法蘭加厚型立銑刀夾頭



TW PAT NO. M298033
 TW PAT NO. M311791
 TW PAT NO. M501316
 J P PAT NO. 3128766
 J P PAT NO. 3200356
 K R PAT NO. 20-0433603
 C N PAT NO. ZL200620132661.0
 C H PAT NO. 696550
 T R PAT NO. TR 2007 02942 Y
 I T PAT NO. N.0000266731
 D E PAT NO. Nr.202015005621

MODEL NO.	TYPE	L	l ₁	l ₂	d ₁	d ₂	T	SIZE RANGE	WEIGHT (KGS)
27.273.16.070	SBT50 x PNER16 - 70	171.8	70	29	30	30	M10 x 1.5P	3 ~ 10	3.00
27.273.16.130	SBT50 x PNER16 - 130	231.8	130	82	30	30	M10 x 1.5P	3 ~ 10	3.88
27.273.16.160	SBT50 x PNER16 - 160	261.8	160	112	30	30	M10 x 1.5P	3 ~ 10	4.01
27.273.20.070	SBT50 x PNER20 - 70	171.8	70	29	32	32	M12 x 1.75P	3 ~ 13	3.00
27.273.20.130	SBT50 x PNER20 - 130	231.8	130	82	32	32	M12 x 1.75P	3 ~ 13	3.91
27.273.20.160	SBT50 x PNER20 - 160	261.8	160	112	32	32	M12 x 1.75P	3 ~ 13	4.06
27.273.25.070	SBT50 x PNER25 - 70	171.8	70	29	40	40	M16 x 2.0P	3 ~ 16	3.93
27.273.25.130	SBT50 x PNER25 - 130	231.8	130	82	40	40	M16 x 2.0P	3 ~ 16	4.06
27.273.25.160	SBT50 x PNER25 - 160	261.8	160	112	40	40	M16 x 2.0P	3 ~ 16	4.27
27.273.32.070	SBT50 x PNER32 - 70	171.8	70	31	50	50	M16 x 2.0P	3 ~ 20	4.12
27.273.32.130	SBT50 x PNER32 - 130	231.8	130	82	50	50	M16 x 2.0P	3 ~ 20	4.43
27.273.32.160	SBT50 x PNER32 - 160	261.8	160	112	50	50	M16 x 2.0P	3 ~ 20	4.80
27.273.40.080	SBT50 x PNER40 - 80	181.8	80	39	63	63	M20 x 2.0P	6 ~ 26	4.20
27.273.40.130	SBT50 x PNER40 - 130	231.8	130	82	63	63	M20 x 2.0P	6 ~ 26	4.97
27.273.40.160	SBT50 x PNER40 - 160	261.8	160	112	63	63	M20 x 2.0P	6 ~ 26	5.61



Features:

- ▶ PN collet is well covered in PNER tool holder, improving overall runout accuracy and the machining stability.

Product information:

- ▶ Balance: G2.5 25,000 rpm. Higher balancing grade and revolution can be done upon request but additional charge is needed.
- ▶ AD+B type is available, please inform us when making an order.
- ▶ Use PN 3µm collet.

Standard Accessory: • NUT

Collet	Nut	Pull Stud	Preset Screw	Spanner
P.W-5	P.W-45	P.W-60~61	P.W-88	P.W-68~73



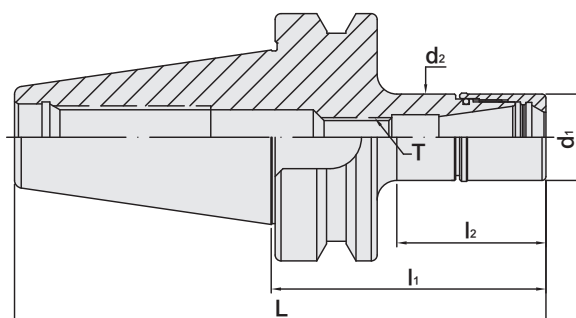
SBT / PTER COLLET CHUCK



SBT / PTER 法蘭加厚型立銑刀夾頭



T W PAT NO. M298033
 T W PAT NO. M311791
 J P PAT NO. 3128766
 J P PAT NO. 3200356
 K R PAT NO. 20-0433603
 C N PAT NO. ZL200620132661.0
 C H PAT NO. 696550
 T R PAT NO. TR 2007 02942 Y
 I T PAT NO. N.0000266731



MODEL NO.	TYPE	L	l ₁	l ₂	d ₁	d ₂	T	SIZE RANGE	WEIGHT (KGS)
25.528.08.060	SBT30 x PTER8 - 60	108.4	60	28	12	12	M5 x 0.8P	3 ~ 5	0.41
25.528.08.075	SBT30 x PTER8 - 75	123.4	75	43	12	12	M5 x 0.8P	3 ~ 5	0.42
25.528.08.090	SBT30 x PTER8 - 90	138.4	90	58	12	12	M5 x 0.8P	3 ~ 5	0.43
25.528.08.105	SBT30 x PTER8 - 105	153.4	105	73	12	12	M5 x 0.8P	3 ~ 5	0.44
25.528.08.120	SBT30 x PTER8 - 120	168.4	120	88	12	12	M5 x 0.8P	3 ~ 5	0.45
25.528.11.070	SBT30 x PTER11 - 70	118.4	70	43	16	16	M6 x 1.0P	3 ~ 7	0.43
25.528.11.100	SBT30 x PTER11 - 100	148.4	100	73	16	16	M6 x 1.0P	3 ~ 7	0.47
25.528.11.120	SBT30 x PTER11 - 120	168.4	120	93	16	16	M6 x 1.0P	3 ~ 7	0.50
25.528.16.070	SBT30 x PTER16 - 70	118.4	70	43	22	22	M10 x 1.5P	3 ~ 10	0.47
25.528.16.100	SBT30 x PTER16 - 100	148.4	100	73	22	22	M10 x 1.5P	3 ~ 10	0.54
25.528.16.120	SBT30 x PTER16 - 120	168.4	120	93	22	22	M10 x 1.5P	3 ~ 10	0.59
25.528.20.070	SBT30 x PTER20 - 70	118.4	70	45	28	28	M12 x 1.75P	3 ~ 13	0.52
25.528.20.100	SBT30 x PTER20 - 100	148.4	100	75	28	28	M12 x 1.75P	3 ~ 13	0.64
25.528.20.120	SBT30 x PTER20 - 120	168.4	120	95	28	28	M12 x 1.75P	3 ~ 13	0.72
25.528.20.150	SBT30 x PTER20 - 150	198.4	150	125	28	28	M12 x 1.75P	3 ~ 13	0.85

Product information:

- ▶ Balance: G2.5 25,000 rpm. Higher balancing grade and revolution can be done upon request but additional charge is needed.
- ▶ SBT30 tool holders are without coolant supply over collars.
- ▶ Use PN-U 5µm collet.

Standard Accessory: • NUT

Collet	Nut	Pull Stud	Preset Screw	Spanner
P.W-5	P.W-47	P.W-60~61	P.W-88	P.W-68~73



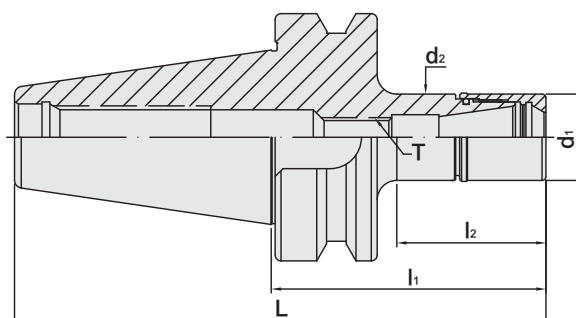
SBT / PTER COLLET CHUCK



SBT / PTER 法蘭加厚型立銑刀夾頭



T W PAT NO. M298033
 T W PAT NO. M311791
 J P PAT NO. 3128766
 J P PAT NO. 3200356
 K R PAT NO. 20-0433603
 C N PAT NO. ZL200620132661.0
 C H PAT NO. 696550
 T R PAT NO. TR 2007 02942 Y
 I T PAT NO. N.0000266731



MODEL NO.	TYPE	L	l ₁	l ₂	d ₁	d ₂	T	SIZE RANGE	WEIGHT (KGS)
26.528.08.060	SBT40 x PTER8 - 60	125.4	60	23	12	12	M5 x 0.8P	3 ~ 5	1.00
26.528.08.075	SBT40 x PTER8 - 75	140.4	75	38	12	12	M5 x 0.8P	3 ~ 5	1.01
26.528.08.090	SBT40 x PTER8 - 90	155.4	90	51.9	12	12	M5 x 0.8P	3 ~ 5	1.02
26.528.08.105	SBT40 x PTER8 - 105	170.4	105	66.9	12	12	M5 x 0.8P	3 ~ 5	1.05
26.528.08.120	SBT40 x PTER8 - 120	185.4	120	81.9	12	12	M5 x 0.8P	3 ~ 5	1.06
26.528.08.135	SBT40 x PTER8 - 135	200.4	135	96.9	12	12	M5 x 0.8P	3 ~ 5	1.07
26.528.11.070	SBT40 x PTER11 - 70	135.4	70	38	16	16	M6 x 1.0P	3 ~ 7	1.00
26.528.11.090	SBT40 x PTER11 - 90	155.4	90	53	16	16	M6 x 1.0P	3 ~ 7	1.03
26.528.11.100	SBT40 x PTER11 - 100	165.4	100	63	16	16	M6 x 1.0P	3 ~ 7	1.04
26.528.11.120	SBT40 x PTER11 - 120	185.4	120	83	16	16	M6 x 1.0P	3 ~ 7	1.10
26.528.11.125	SBT40 x PTER11 - 125	190.4	125	83	16	16	M6 x 1.0P	3 ~ 7	1.10
26.528.11.150	SBT40 x PTER11 - 150	215.4	150	108	16	16	M6 x 1.0P	3 ~ 7	1.13
26.528.16.070	SBT40 x PTER16 - 70	135.4	70	38	22	22	M10 x 1.5P	3 ~ 10	1.04
26.528.16.100	SBT40 x PTER16 - 100	165.4	100	63	22	22	M10 x 1.5P	3 ~ 10	1.12
26.528.16.125	SBT40 x PTER16 - 125	190.4	125	88	22	22	M10 x 1.5P	3 ~ 10	1.18
26.528.16.150	SBT40 x PTER16 - 150	215.4	150	113	22	22	M10 x 1.5P	3 ~ 10	1.24
26.528.20.070	SBT40 x PTER20 - 70	135.4	70	38	28	28	M12 x 1.75P	3 ~ 13	1.08
26.528.20.100	SBT40 x PTER20 - 100	165.4	100	63	28	28	M12 x 1.75P	3 ~ 13	1.15
26.528.20.125	SBT40 x PTER20 - 125	190.4	125	88	28	28	M12 x 1.75P	3 ~ 13	1.29
26.528.20.150	SBT40 x PTER20 - 150	215.4	150	113	28	28	M12 x 1.75P	3 ~ 13	1.38

Product information:

- ▶ Balance: G2.5 25,000 rpm. Higher balancing grade and revolution can be done upon request but additional charge is needed.
- ▶ AD+B type is available, please inform us when making an order.
- ▶ Use PN-U 5μm collet.

Standard Accessory: • NUT

Collet	Nut	Pull Stud	Preset Screw	Spanner
P.W-5	P.W-47	P.W-60~61	P.W-88	P.W-68~73

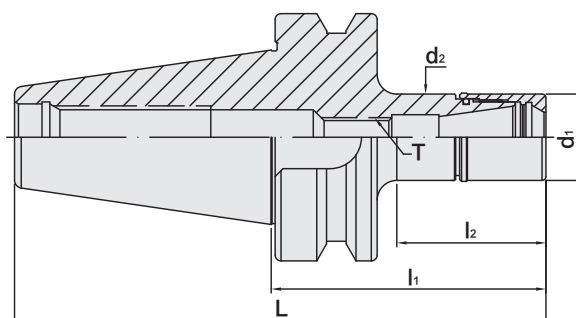
SBT / PTER COLLET CHUCK



SBT / PTER 法蘭加厚型立銑刀夾頭



T W PAT NO. M298033
 T W PAT NO. M311791
 J P PAT NO. 3128766
 J P PAT NO. 3200356
 K R PAT NO. 20-0433603
 C N PAT NO. ZL200620132661.0
 C H PAT NO. 696550
 T R PAT NO. TR 2007 02942 Y
 I T PAT NO. N.0000266731



MODEL NO.	TYPE	L	l ₁	l ₂	d ₁	d ₂	T	SIZE RANGE	WEIGHT (KGS)
27.528.11.070	SBT50 x PTER11 - 70	171.8	70	27	16	16	M6 x 1.0P	3 ~ 7	3.53
27.528.11.090	SBT50 x PTER11 - 90	191.8	90	42	16	16	M6 x 1.0P	3 ~ 7	3.56
27.528.11.105	SBT50 x PTER11 - 105	206.8	105	57	16	16	M6 x 1.0P	3 ~ 7	3.58
27.528.11.135	SBT50 x PTER11 - 135	236.8	135	73.5	16	16	M6 x 1.0P	3 ~ 7	3.68
27.528.11.165	SBT50 x PTER11 - 165	266.8	165	103.5	16	16	M6 x 1.0P	3 ~ 7	3.71
27.528.16.070	SBT50 x PTER16 - 70	171.8	70	27	22	22	M10 x 1.5P	3 ~ 10	3.58
27.528.16.090	SBT50 x PTER16 - 90	191.8	90	47	22	22	M10 x 1.5P	3 ~ 10	3.58
27.528.16.105	SBT50 x PTER16 - 105	206.8	105	59	22	22	M10 x 1.5P	3 ~ 10	3.61
27.528.16.135	SBT50 x PTER16 - 135	236.8	135	87	22	22	M10 x 1.5P	3 ~ 10	3.67
27.528.16.165	SBT50 x PTER16 - 165	266.8	165	117	22	22	M10 x 1.5P	3 ~ 10	3.72
27.528.20.070	SBT50 x PTER20 - 70	171.8	70	29	28	28	M12 x 1.75P	3 ~ 13	3.62
27.528.20.090	SBT50 x PTER20 - 90	191.8	90	47	28	28	M12 x 1.75P	3 ~ 13	3.66
27.528.20.105	SBT50 x PTER20 - 105	206.8	105	57	28	28	M12 x 1.75P	3 ~ 13	3.71
27.528.20.135	SBT50 x PTER20 - 135	236.8	135	87	28	28	M12 x 1.75P	3 ~ 13	3.86
27.528.20.165	SBT50 x PTER20 - 165	266.8	165	117	28	28	M12 x 1.75P	3 ~ 13	3.97

Product information:

- ▶ Balance: G2.5 25,000 rpm. Higher balancing grade and revolution can be done upon request but additional charge is needed.
- ▶ AD+B type is available, please inform us when making an order.
- ▶ Use PNER-U 5µm collet.

Standard Accessory: • NUT

Collet	Nut	Pull Stud	Preset Screw	Spanner
P.W-5	P.W-47	P.W-60~61	P.W-88	P.W-68~73



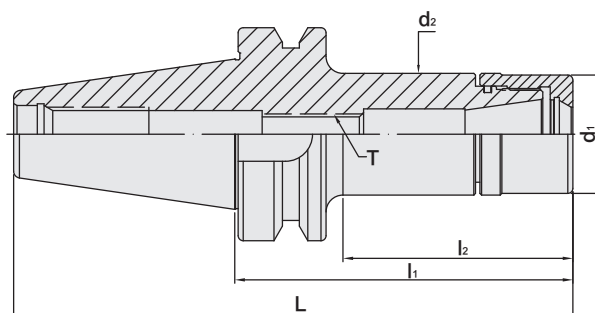
SBT / UT COLLET CHUCK



SBT / UT 法蘭加厚型立銑刀夾頭



T W PAT NO. M298033
 T W PAT NO. M311791
 J P PAT NO. 3128766
 K R PAT NO. 20-0433603
 C N PAT NO. ZL200620132661.0
 C H PAT NO. 696550
 T R PAT NO. TR 2007 02942 Y
 I T PAT NO. N.0000266731



MODEL NO.	TYPE	L	l ₁	l ₂	d ₁	d ₂	T	SIZE RANGE	WEIGHT (KGS)
25.753.16.070	SBT30 x UT16 - 70	118.4	70	43	30	30	M10 x 1.5P	1 ~ 10	0.58
25.753.16.100	SBT30 x UT16 - 100	148.4	100	73	30	30	M10 x 1.5P	1 ~ 10	0.73
25.753.16.125	SBT30 x UT16 - 125	173.4	125	98	30	30	M10 x 1.5P	1 ~ 10	0.85
25.753.16.150	SBT30 x UT16 - 150	198.4	150	123	30	30	M10 x 1.5P	1 ~ 10	0.97
25.753.20.070	SBT30 x UT20 - 70	118.4	70	47	35	36	M12 x 1.75P	1 ~ 13	0.64
25.753.20.100	SBT30 x UT20 - 100	148.4	100	77	35	36	M12 x 1.75P	1 ~ 13	0.85
25.753.20.125	SBT30 x UT20 - 125	173.4	125	102	35	36	M12 x 1.75P	1 ~ 13	1.03
25.753.20.150	SBT30 x UT20 - 150	198.4	150	127	35	36	M12 x 1.75P	1 ~ 13	1.21
25.753.25.070	SBT30 x UT25 - 70	118.4	70	46	42	42	M16 x 2.0P	1 ~ 16	0.70
25.753.25.100	SBT30 x UT25 - 100	148.4	100	76	42	42	M16 x 2.0P	1 ~ 16	1.00
25.753.25.150	SBT30 x UT25 - 150	198.4	150	126	42	42	M16 x 2.0P	1 ~ 16	1.49
25.753.32.070	SBT30 x UT32 - 70	118.4	70	48	48	48	M16 x 2.0P	2 ~ 20	0.71
25.753.32.100	SBT30 x UT32 - 100	148.4	100	78	48	48	M16 x 2.0P	2 ~ 20	1.08
25.753.32.125	SBT30 x UT32 - 125	173.4	125	103	48	48	M16 x 2.0P	2 ~ 20	1.42
25.753.32.150	SBT30 x UT32 - 150	198.4	150	128	48	48	M16 x 2.0P	2 ~ 20	1.75

Product information:

- ▶ The pre-balance reaches G6.3 10,000 rpm. Higher balancing grade and revolution can be done upon request but additional charge is needed.
- ▶ SBT30 tool holders are without coolant supply over collars.
- ▶ Use standard ER collets.

Standard Accessory: • NUT

Collet	Nut	Pull Stud	Preset Screw	Spanner
P.W-7~10	P.W-47	P.W-60~61	P.W-88	P.W-68~73

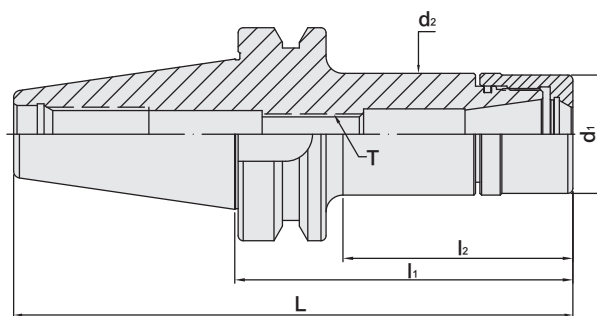
SBT / UT COLLET CHUCK



SBT / UT 法蘭加厚型立銑刀夾頭



T W PAT NO. M298033
 T W PAT NO. M311791
 J P PAT NO. 3128766
 K R PAT NO. 20-0433603
 C N PAT NO. ZL200620132661.0
 C H PAT NO. 696550
 T R PAT NO. TR 2007 02942 Y
 I T PAT NO. N.0000266731



MODEL NO.	TYPE	L	l ₁	l ₂	d ₁	d ₂	T	SIZE RANGE	WEIGHT (KGS)
26.753.16.070	SBT40 x UT16 - 70	135.4	70	40	30	30	M10 x 1.5P	1 ~ 10	1.14
26.753.16.100	SBT40 x UT16 - 100	165.4	100	63	30	30	M10 x 1.5P	1 ~ 10	1.28
26.753.16.125	SBT40 x UT16 - 125	190.4	125	88	30	30	M10 x 1.5P	1 ~ 10	1.39
26.753.16.150	SBT40 x UT16 - 150	215.4	150	113	30	30	M10 x 1.5P	1 ~ 10	1.49
26.753.20.070	SBT40 x UT20 - 70	135.4	70	38	35	36	M12 x 1.75P	1 ~ 13	1.18
26.753.20.100	SBT40 x UT20 - 100	165.4	100	68	35	36	M12 x 1.75P	1 ~ 13	1.39
26.753.20.125	SBT40 x UT20 - 125	190.4	125	93	35	36	M12 x 1.75P	1 ~ 13	1.55
26.753.20.150	SBT40 x UT20 - 150	215.4	150	118	35	36	M12 x 1.75P	1 ~ 13	1.72
26.753.25.070	SBT40 x UT25 - 70	135.4	70	40	42	42	M16 x 2.0P	1 ~ 16	1.23
26.753.25.100	SBT40 x UT25 - 100	165.4	100	70	42	42	M16 x 2.0P	1 ~ 16	1.51
26.753.25.150	SBT40 x UT25 - 150	215.4	150	118	42	42	M16 x 2.0P	1 ~ 16	1.99
26.753.32.070	SBT40 x UT32 - 70	135.4	70	40	48	48	M16 x 2.0P	2 ~ 20	1.24
26.753.32.100	SBT40 x UT32 - 100	165.4	100	70	48	48	M16 x 2.0P	2 ~ 20	1.62
26.753.32.125	SBT40 x UT32 - 125	190.4	125	95	48	48	M16 x 2.0P	2 ~ 20	1.94
26.753.32.150	SBT40 x UT32 - 150	215.4	150	120	48	48	M16 x 2.0P	2 ~ 20	2.26

Product information:

- ▶ The pre-balance reaches G6.3 10,000 rpm. Higher balancing grade and revolution can be done upon request but additional charge is needed.
- ▶ AD+B type is available, please inform us when making an order.
- ▶ Use standard ER collets.

Standard Accessory: • NUT

Collet	Nut	Pull Stud	Preset Screw	Spanner
P.W-7~10	P.W-47	P.W-60~61	P.W-88	P.W-68~73



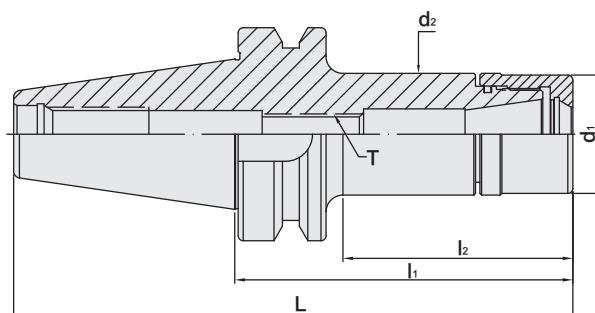
SBT / UT COLLET CHUCK



SBT / UT 法蘭加厚型立銑刀夾頭



T W PAT NO. M298033
 T W PAT NO. M311791
 J P PAT NO. 3128766
 K R PAT NO. 20-0433603
 C N PAT NO. ZL200620132661.0
 C H PAT NO. 696550
 T R PAT NO. TR 2007 02942 Y
 I T PAT NO. N.0000266731



MODEL NO.	TYPE	L	l ₁	l ₂	d ₁	d ₂	T	SIZE RANGE	WEIGHT (KGS)
27.753.16.070	SBT50 x UT16 - 70	171.8	70	29	30	30	M10 x 1.5P	1 ~ 10	3.69
27.753.16.100	SBT50 x UT16 - 100	201.8	100	52	30	30	M10 x 1.5P	1 ~ 10	3.79
27.753.16.125	SBT50 x UT16 - 125	226.8	125	77	30	30	M10 x 1.5P	1 ~ 10	3.85
27.753.16.150	SBT50 x UT16 - 150	251.8	150	102	30	30	M10 x 1.5P	1 ~ 10	4.02
27.753.20.070	SBT50 x UT20 - 70	171.8	70	31.6	35	36	M12 x 1.75P	1 ~ 13	3.73
27.753.20.100	SBT50 x UT20 - 100	201.8	100	52	35	36	M12 x 1.75P	1 ~ 13	3.90
27.753.20.125	SBT50 x UT20 - 125	226.8	125	77	35	36	M12 x 1.75P	1 ~ 13	4.03
27.753.20.150	SBT50 x UT20 - 150	251.8	150	102	35	36	M12 x 1.75P	1 ~ 13	4.28
27.753.25.070	SBT50 x UT25 - 70	171.8	70	29.8	42	42	M16 x 2.0P	1 ~ 16	3.74
27.753.25.100	SBT50 x UT25 - 100	201.8	100	52	42	42	M16 x 2.0P	1 ~ 16	3.96
27.753.25.150	SBT50 x UT25 - 150	251.8	150	102	42	42	M16 x 2.0P	1 ~ 16	4.41
27.753.32.080	SBT50 x UT32 - 80	181.8	80	41	48	48	M16 x 2.0P	2 ~ 20	3.87
27.753.32.100	SBT50 x UT32 - 100	201.8	100	57	48	48	M16 x 2.0P	2 ~ 20	4.08
27.753.32.125	SBT50 x UT32 - 125	226.8	125	82	48	48	M16 x 2.0P	2 ~ 20	4.36
27.753.32.150	SBT50 x UT32 - 150	251.8	150	102	48	48	M16 x 2.0P	2 ~ 20	4.66

Product information:

- ▶ The pre-balance reaches G6.3 10,000 rpm. Higher balancing grade and revolution can be done upon request but additional charge is needed.
- ▶ AD+B type is available, please inform us when making an order.
- ▶ Use standard ER collets.

Standard Accessory: • NUT

Collet	Nut	Pull Stud	Preset Screw	Spanner
P.W-7~10	P.W-47	P.W-60~61	P.W-88	P.W-68~73



SBT / ER COLLET CHUCK

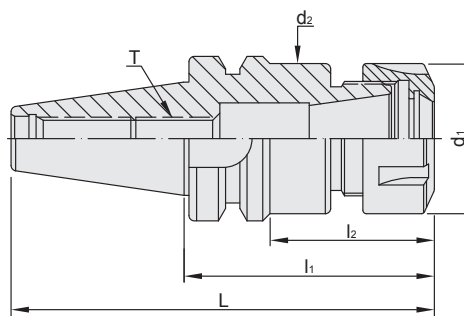


SBT / ER 法蘭加厚型立銑刀夾頭

(DIN ISO 15488)



T W PAT NO. M298033
 T W PAT NO. M311791
 J P PAT NO. 3128766
 K R PAT NO. 20-0433603
 C N PAT NO. ZL200620132661.0
 C H PAT NO. 696550
 T R PAT NO. TR 2007 02942 Y
 I T PAT NO. N.0000266731



MODEL NO.	TYPE	L	l ₁	l ₂	d ₁	d ₂	T	SIZE RANGE	WEIGHT (KGS)
25.122.16.050	SBT30 x ER16A - 50	98.4	50	27	28	28	M10 x 1.5P	1 ~ 10	0.45
25.122.16.060	SBT30 x ER16A - 60	108.4	60	35	28	28	M10 x 1.5P	1 ~ 10	0.60
25.122.16.070	SBT30 x ER16A - 70	118.4	70	43	28	28	M10 x 1.5P	1 ~ 10	0.55
25.122.16.100	SBT30 x ER16A - 100	148.4	100	70	28	28	M10 x 1.5P	1 ~ 10	0.70
25.122.16.120	SBT30 x ER16A - 120	168.4	120	93	28	28	M10 x 1.5P	1 ~ 10	0.78
25.122.20.050	SBT30 x ER20A - 50	98.4	50	28	34	34	M12 x 1.75P	1 ~ 13	0.48
25.122.20.070	SBT30 x ER20A - 70	118.4	70	45	34	34	M12 x 1.75P	1 ~ 13	0.62
25.122.20.135	SBT30 x ER20A - 135	183.4	135	110	34	34	M12 x 1.75P	1 ~ 13	1.00
25.122.25.070	SBT30 x ER25 - 70	118.4	70	46	42	42	M16 x 2.0P	1 ~ 16	0.70
25.122.25.135	SBT30 x ER25 - 135	183.4	135	111	42	42	M16 x 2.0P	1 ~ 16	1.45
25.122.32.070	SBT30 x ER32 - 70	118.4	70	48	50	45	M16 x 2.0P	2 ~ 20	0.70
25.122.32.100	SBT30 x ER32 - 100	148.4	100	78	50	45	M16 x 2.0P	2 ~ 20	1.00
25.122.40.080	SBT30 x ER40 - 80	128.4	80	58	63	53	M16 x 2.0P	3 ~ 26	1.10

Product information:

- ▶ The pre-balance reaches G6.3 10,000 rpm. Higher balancing grade and revolution can be done upon request but additional charge is needed.
- ▶ SBT30 tool holders are without coolant supply over collars.

Standard Accessory: • NUT

Collet	Nut	Pull Stud	Preset Screw	Spanner
P.W-7~28	P.W-48	P.W-60~61	P.W-88	P.W-68~71



SBT / ER COLLET CHUCK

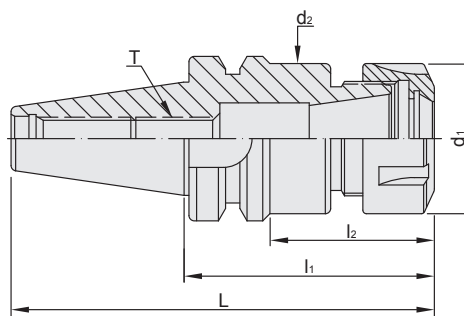


SBT / ER 法蘭加厚型立銑刀夾頭

(DIN ISO 15488)



T W PAT NO. M298033
 T W PAT NO. M311791
 J P PAT NO. 3128766
 K R PAT NO. 20-0433603
 C N PAT NO. ZL200620132661.0
 C H PAT NO. 696550
 T R PAT NO. TR 2007 02942 Y
 I T PAT NO. N.0000266731



MODEL NO.	TYPE	L	l ₁	l ₂	d ₁	d ₂	T	SIZE RANGE	WEIGHT (KGS)
26.122.16.070	SBT40 x ER16A - 70	135.4	70	40	28	28	M10 x 1.5P	1 ~ 10	1.20
26.122.16.100	SBT40 x ER16A - 100	165.4	100	63	28	28	M10 x 1.5P	1 ~ 10	1.30
26.122.16.125	SBT40 x ER16A - 125	190.4	125	88	28	28	M10 x 1.5P	1 ~ 10	1.36
26.122.16.150	SBT40 x ER16A - 150	215.4	150	113	28	28	M10 x 1.5P	1 ~ 10	1.54
26.122.16.180	SBT40 x ER16A - 180	245.4	180	143	28	28	M10 x 1.5P	1 ~ 10	2.00
26.122.20.070	SBT40 x ER20A - 70	135.4	70	40	34	34	M12 x 1.75P	1 ~ 13	1.18
26.122.20.100	SBT40 x ER20A - 100	165.4	100	70	34	34	M12 x 1.75P	1 ~ 13	1.80
26.122.20.135	SBT40 x ER20A - 135	200.4	135	105	34	34	M12 x 1.75P	1 ~ 13	1.70
26.122.20.150	SBT40 x ER20A - 150	215.4	150	120	34	34	M12 x 1.75P	1 ~ 13	1.80
26.122.25.070	SBT40 x ER25 - 70	135.4	70	40	42	42	M16 x 2.0P	1 ~ 16	1.30
26.122.25.100	SBT40 x ER25 - 100	165.4	100	70	42	42	M16 x 2.0P	1 ~ 16	1.50
26.122.25.125	SBT40 x ER25 - 125	190.4	125	95	42	42	M16 x 2.0P	1 ~ 16	1.78
26.122.25.150	SBT40 x ER25 - 150	215.4	150	120	42	42	M16 x 2.0P	1 ~ 16	2.06
26.122.32.070	SBT40 x ER32 - 70	135.4	70	40	50	50	M16 x 2.0P	2 ~ 20	1.30
26.122.32.100	SBT40 x ER32 - 100	165.4	100	70	50	50	M16 x 2.0P	2 ~ 20	1.70
26.122.32.150	SBT40 x ER32 - 150	215.4	150	120	50	50	M16 x 2.0P	2 ~ 20	2.50
26.122.40.080	SBT40 x ER40 - 80	145.4	80	53	63	60	-	3 ~ 26	1.50
26.122.40.100	SBT40 x ER40 - 100	165.4	100	73	63	60	M20 x 2.0P	3 ~ 26	2.05
26.122.40.120	SBT40 x ER40 - 120	185.4	120	93	63	60	M20 x 2.0P	3 ~ 26	1.92
26.122.40.150	SBT40 x ER40 - 150	215.4	150	123	63	60	M20 x 2.0P	3 ~ 26	3.10
26.122.50.085	SBT40 x ER50 - 85	150.4	85	58	78	60	M24 x 2.0P	6 ~ 34	1.70
26.122.50.100	SBT40 x ER50 - 100	165.4	100	73	78	60	M24 x 2.0P	6 ~ 34	2.10

Product information:

- ▶ The pre-balance reaches G6.3 10,000 rpm. Higher balancing grade and revolution can be done upon request but additional charge is needed.
- ▶ AD+B type is available, please inform us when making an order.

Standard Accessory: • NUT

Collet	Nut	Pull Stud	Preset Screw	Spanner
P.W-7~28	P.W-48	P.W-60~61	P.W-88	P.W-68~71

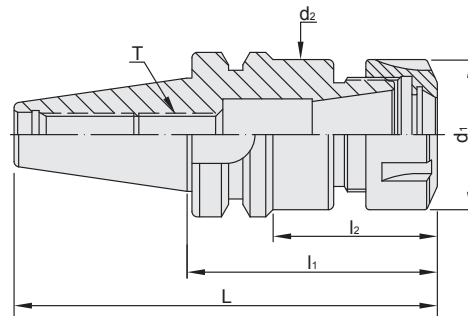


SBT / ER COLLET CHUCK



SBT / ER 法蘭加厚型立銑刀夾頭

(DIN ISO 15488)



T W PAT NO. M298033
 T W PAT NO. M311791
 J P PAT NO. 3128766
 K R PAT NO. 20-0433603
 C N PAT NO. ZL200620132661.0
 C H PAT NO. 696550
 T R PAT NO. TR 2007 02942 Y
 I T PAT NO. N.0000266731

MODEL NO.	TYPE	L	l ₁	l ₂	d ₁	d ₂	T	SIZE RANGE	WEIGHT (KGS)
27.122.16.070	SBT50 x ER16A - 70	171.8	70	29	28	28	M10 x 1.5P	1 ~ 10	4.05
27.122.16.090	SBT50 x ER16A - 90	191.8	90	47	28	28	M10 x 1.5P	1 ~ 10	4.20
27.122.16.105	SBT50 x ER16A - 105	206.8	105	57	28	28	M10 x 1.5P	1 ~ 10	4.30
27.122.16.135	SBT50 x ER16A - 135	236.8	135	87	28	28	M10 x 1.5P	1 ~ 10	4.40
27.122.16.150	SBT50 x ER16A - 150	251.8	150	102	28	28	M10 x 1.5P	1 ~ 10	4.50
27.122.16.165	SBT50 x ER16A - 165	266.8	165	117	28	28	M10 x 1.5P	1 ~ 10	4.50
27.122.20.070	SBT50 x ER20A - 70	171.8	70	29	34	34	M12 x 1.75P	1 ~ 13	4.20
27.122.20.090	SBT50 x ER20A - 90	191.8	90	47	34	34	M12 x 1.75P	1 ~ 13	4.25
27.122.20.105	SBT50 x ER20A - 105	206.8	105	57	34	34	M12 x 1.75P	1 ~ 13	4.30
27.122.20.135	SBT50 x ER20A - 135	236.8	135	87	34	34	M12 x 1.75P	1 ~ 13	4.55
27.122.20.150	SBT50 x ER20A - 150	251.8	150	102	34	34	M12 x 1.75P	1 ~ 13	4.70
27.122.20.165	SBT50 x ER20A - 165	266.8	165	117	34	34	M12 x 1.75P	1 ~ 13	4.80
27.122.20.200	SBT50 x ER20A - 200	301.8	200	152	34	34	M12 x 1.75P	1 ~ 13	4.90
27.122.25.070	SBT50 x ER25 - 70	171.8	70	29	42	42	M16 x 2.0P	1 ~ 16	4.20
27.122.25.105	SBT50 x ER25 - 105	206.8	105	57	42	42	M16 x 2.0P	1 ~ 16	4.40
27.122.25.135	SBT50 x ER25 - 135	236.8	135	87	42	42	M16 x 2.0P	1 ~ 16	4.70
27.122.25.165	SBT50 x ER25 - 165	266.8	165	117	42	42	M16 x 2.0P	1 ~ 16	5.00
27.122.32.080	SBT50 x ER32 - 80	181.8	80	39	50	50	M16 x 2.0P	2 ~ 20	4.70
27.122.32.100	SBT50 x ER32 - 100	201.8	100	57	50	50	M16 x 2.0P	2 ~ 20	4.80
27.122.32.120	SBT50 x ER32 - 120	221.8	120	72	50	50	M16 x 2.0P	2 ~ 20	4.70
27.122.32.150	SBT50 x ER32 - 150	251.8	150	102	50	50	M16 x 2.0P	2 ~ 20	5.30
27.122.32.200	SBT50 x ER32 - 200	301.8	200	152	50	50	M16 x 2.0P	2 ~ 20	5.50
27.122.40.080	SBT50 x ER40 - 80	181.8	80	39	63	63	M20 x 2.0P	3 ~ 26	4.30
27.122.40.100	SBT50 x ER40 - 100	201.8	100	57	63	63	M20 x 2.0P	3 ~ 26	4.64
27.122.40.120	SBT50 x ER40 - 120	221.8	120	72	63	63	M20 x 2.0P	3 ~ 26	5.10
27.122.40.135	SBT50 x ER40 - 135	236.8	135	87	63	63	M20 x 2.0P	3 ~ 26	5.50
27.122.50.090	SBT50 x ER50 - 90	191.8	90	49	78	78	M24 x 2.0P	6 ~ 34	4.60
27.122.50.120	SBT50 x ER50 - 120	221.8	120	79	78	78	M24 x 2.0P	6 ~ 34	5.50
27.122.50.165	SBT50 x ER50 - 165	266.8	165	124	78	78	M24 x 2.0P	6 ~ 34	6.10

Product information:

- ▶ The pre-balance reaches G6.3 10,000 rpm. Higher balancing grade and revolution can be done upon request but additional charge is needed.
- ▶ AD+B type is available, please inform us when making an order.

Standard Accessory: • NUT

Collet	Nut	Pull Stud	Preset Screw	Spanner
P.W-7~28	P.W-48	P.W-60~61	P.W-88	P.W-68~71



SBT / ER COLLET CHUCK

M TYPE

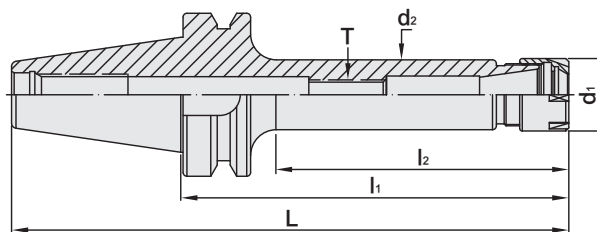


M 型 SBT / ER 法蘭加厚型立銑刀夾頭

(DIN ISO 15488)



T W PAT NO. M298033
 T W PAT NO. M311791
 J P PAT NO. 3128766
 K R PAT NO. 20-0433603
 C N PAT NO. ZL200620132661.0
 C H PAT NO. 696550
 T R PAT NO. TR 2007 02942 Y
 I T PAT NO. N.0000266731



MODEL NO.	TYPE	L	l ₁	l ₂	d ₁	d ₂	T	SIZE RANGE	WEIGHT (KGS)
25.123.11.070	SBT30 x ER11M - 70	118.4	70	40	16	15	M6 x 1.0P	1 ~ 7	0.50
25.123.11.100	SBT30 x ER11M - 100	148.4	100	70	16	15	M6 x 1.0P	1 ~ 7	0.60
25.123.11.120	SBT30 x ER11M - 120	168.4	120	88	16	15	M6 x 1.0P	1 ~ 7	0.70
25.123.16.070	SBT30 x ER16M - 70	118.4	70	43	22	21	M10 x 1.5P	1 ~ 10	0.55
25.123.16.100	SBT30 x ER16M - 100	148.4	100	73	22	21	M10 x 1.5P	1 ~ 10	0.56
25.123.16.120	SBT30 x ER16M - 120	168.4	120	88	22	21	M10 x 1.5P	1 ~ 10	0.75
25.123.20.070	SBT30 x ER20M - 70	118.4	70	45.5	28	27	M12 x 1.75P	1 ~ 13	0.65
25.123.20.100	SBT30 x ER20M - 100	148.4	100	71	28	27	M12 x 1.75P	1 ~ 13	0.70
25.123.20.120	SBT30 x ER20M - 120	168.4	120	91	28	27	M12 x 1.75P	1 ~ 13	0.80
25.123.20.150	SBT30 x ER20M - 150	198.4	150	121	28	27	M12 x 1.75P	1 ~ 13	1.00
26.123.11.070	SBT40 x ER11M - 70	135.4	70	33	16	15	M6 x 1.0P	1 ~ 7	1.10
26.123.11.100	SBT40 x ER11M - 100	165.4	100	63	16	15	M6 x 1.0P	1 ~ 7	1.10
26.123.11.125	SBT40 x ER11M - 125	190.4	125	88	16	15	M6 x 1.0P	1 ~ 7	1.12
26.123.11.150	SBT40 x ER11M - 150	215.4	150	113	16	15	M6 x 1.0P	1 ~ 7	1.20
26.123.16.070	SBT40 x ER16M - 70	135.4	70	38	22	21	M10 x 1.5P	1 ~ 10	1.08
26.123.16.100	SBT40 x ER16M - 100	165.4	100	63	22	21	M10 x 1.5P	1 ~ 10	1.16
26.123.16.125	SBT40 x ER16M - 125	190.4	125	88	22	21	M10 x 1.5P	1 ~ 10	1.20
26.123.16.150	SBT40 x ER16M - 150	215.4	150	113	22	21	M10 x 1.5P	1 ~ 10	1.28
26.123.20.070	SBT40 x ER20M - 70	135.4	70	38	28	27	M12 x 1.75P	1 ~ 13	1.10
26.123.20.100	SBT40 x ER20M - 100	165.4	100	63	28	27	M12 x 1.75P	1 ~ 13	1.24
26.123.20.125	SBT40 x ER20M - 125	190.4	125	88	28	27	M12 x 1.75P	1 ~ 13	1.30
26.123.20.150	SBT40 x ER20M - 150	215.4	150	113	28	27	M12 x 1.75P	1 ~ 13	1.44

Product information:

- ▶ The pre-balance reaches G6.3 10,000 rpm. Higher balancing grade and revolution can be done upon request but additional charge is needed.
- ▶ AD+B type is available, please inform us when making an order.
- ▶ SBT30 tool holders are without coolant supply over collars.

Standard Accessory: • NUT

Collet	Nut	Pull Stud	Preset Screw	Spanner
P.W-7~28	P.W-49	P.W-60~61	P.W-88	P.W-68~71

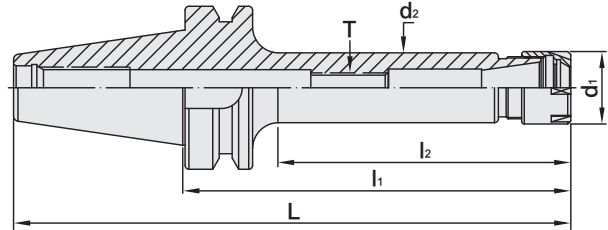
SBT / ER COLLET CHUCK

M TYPE



M 型 SBT / ER 法蘭加厚型立銑刀夾頭

(DIN ISO 15488)



T W PAT NO. M298033
 T W PAT NO. M311791
 J P PAT NO. 3128766
 K R PAT NO. 20-0433603
 C N PAT NO. ZL200620132661.0
 C H PAT NO. 696550
 T R PAT NO. TR 2007 02942 Y
 I T PAT NO. N.0000266731

MODEL NO.	TYPE	L	l ₁	l ₂	d ₁	d ₂	T	SIZE RANGE	WEIGHT (KGS)
27.123.11.070	SBT50 x ER11M - 70	171.8	70	22	16	15	M6 x 1.0P	1 ~ 7	3.80
27.123.11.090	SBT50 x ER11M - 90	191.8	90	42	16	15	M6 x 1.0P	1 ~ 7	3.90
27.123.11.105	SBT50 x ER11M - 105	206.8	105	57	16	15	M6 x 1.0P	1 ~ 7	4.00
27.123.11.135	SBT50 x ER11M - 135	236.8	135	87	16	15	M6 x 1.0P	1 ~ 7	4.10
27.123.11.165	SBT50 x ER11M - 165	266.8	165	92	16	15	M6 x 1.0P	1 ~ 7	4.20
27.123.16.070	SBT50 x ER16M - 70	171.8	70	29	22	21	M10 x 1.5P	1 ~ 10	3.90
27.123.16.090	SBT50 x ER16M - 90	191.8	90	42	22	21	M10 x 1.5P	1 ~ 10	4.00
27.123.16.105	SBT50 x ER16M - 105	206.8	105	57	22	21	M10 x 1.5P	1 ~ 10	4.10
27.123.16.135	SBT50 x ER16M - 135	236.8	135	87	22	21	M10 x 1.5P	1 ~ 10	4.20
27.123.16.165	SBT50 x ER16M - 165	266.8	165	117	22	21	M10 x 1.5P	1 ~ 10	4.30
27.123.20.090	SBT50 x ER20M - 90	191.8	90	42	28	27	M12 x 1.75P	1 ~ 13	4.10
27.123.20.105	SBT50 x ER20M - 105	206.8	105	57	28	27	M12 x 1.75P	1 ~ 13	4.20
27.123.20.135	SBT50 x ER20M - 135	236.8	135	87	28	27	M12 x 1.75P	1 ~ 13	4.40
27.123.20.165	SBT50 x ER20M - 165	266.8	165	117	28	27	M12 x 1.75P	1 ~ 13	4.60

Product information:

- ▶ The pre-balance reaches G6.3 10,000 rpm. Higher balancing grade and revolution can be done upon request but additional charge is needed.
- ▶ AD+B type is available, please inform us when making an order.

Standard Accessory: • NUT

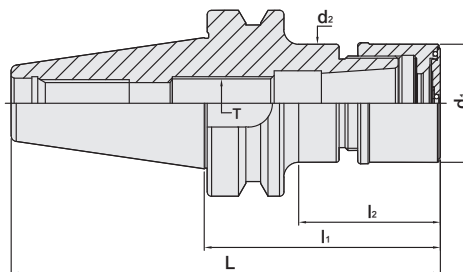
Collet	Nut	Pull Stud	Preset Screw	Spanner
P.W-7~28	P.W-49	P.W-60~61	P.W-88	P.W-68~71



SBT / SKX COLLET CHUCK



SBT / SKX 法蘭加厚型立銑刀夾頭



MODEL NO.	TYPE	L	l ₁	l ₂	d ₁	d ₂	T	SIZE RANGE	WEIGHT (KGS)
25.790.06.060	SBT30 x SKX6 - 60	108.4	60	33	18	18	M8 x 1.25P	3 ~ 6	0.70
25.790.06.090	SBT30 x SKX6 - 90	138.4	90	56	18	18	M8 x 1.25P	3 ~ 6	0.70
25.790.06.120	SBT30 x SKX6 - 120	168.4	120	86	18	18	M8 x 1.25P	3 ~ 6	0.80
25.790.10.045	SBT30 x SKX10 - 45	93.4	45	23	30	30	M12 x 1.75P	3 ~ 10	0.80
25.790.10.060	SBT30 x SKX10 - 60	108.4	60	35	30	30	M12 x 1.75P	3 ~ 10	0.90
25.790.10.075	SBT30 x SKX10 - 75	123.4	75	50	30	30	M12 x 1.75P	3 ~ 10	1.00
25.790.10.090	SBT30 x SKX10 - 90	138.4	90	65	30	30	M12 x 1.75P	3 ~ 10	1.00
25.790.10.120	SBT30 x SKX10 - 120	168.4	120	95	30	30	M12 x 1.75P	3 ~ 10	1.10
25.790.13.060	SBT30 x SKX13 - 60	108.4	60	35	35	33	M12 x 1.75P	3 ~ 13	1.10
25.790.13.090	SBT30 x SKX13 - 90	138.4	90	65	35	33	M12 x 1.75P	3 ~ 13	1.10
25.790.13.120	SBT30 x SKX13 - 120	168.4	120	95	35	33	M12 x 1.75P	3 ~ 13	1.20
25.790.16.060	SBT30 x SKX16 - 60	108.4	60	35	40	40	M18 x 1.5P	3 ~ 16	1.10
25.790.16.075	SBT30 x SKX16 - 75	123.4	75	50	40	40	M18 x 1.5P	3 ~ 16	1.20
25.790.16.090	SBT30 x SKX16 - 90	138.4	90	65	40	40	M18 x 1.5P	3 ~ 16	1.20
25.790.16.120	SBT30 x SKX16 - 120	168.4	120	95	40	40	M18 x 1.5P	3 ~ 16	1.30
25.790.20.060	SBT30 x SKX20 - 60	108.4	60	30	48.5	48.5	M12 x 1.75P	3 ~ 20	0.70
25.790.20.075	SBT30 x SKX20 - 75	123.4	75	45	48.5	48.5	M12 x 1.75P	3 ~ 20	0.90
25.790.20.090	SBT30 x SKX20 - 90	138.4	90	60	48.5	48.5	M12 x 1.75P	3 ~ 20	1.20
25.790.25.090	SBT30 x SKX25 - 90	138.4	90	60	55	55	M12 x 1.75P	3 ~ 25	1.50

Features:

- ▶ SKX sealed cap is optional. Please order SKX sealed cap additionally.
- ▶ With the design of SKX sealed cap, coolant pressure capable up to 70 bar.
- ▶ Used with coolant-through tools.
- ▶ Balance: G2.5 25,000rpm.

Standard Accessory: • NUT

Collet	Nut	Sealed Cap	Pull Stud	Preset Screw	Spanner	Sealed Cap Spanner
P.W-29	P.W-55	P.W-56	P.W-60~61	P.W-88	P.W-68~73	P.W-72



SBT / SKX COLLET CHUCK



SBT / SKX 法蘭加厚型立銑刀夾頭



Fig.1

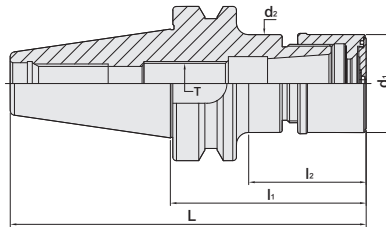
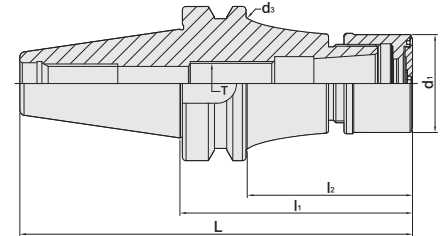


Fig.2



MODEL NO.	TYPE	L	l ₁	l ₂	d ₁	d ₂	d ₃	T	SIZE RANGE	Fig.	WEIGHT (KGS)
26.790.06.060	SBT40 x SKX6 - 60	125.4	60	30	18	18	-	M8 x 1.25P	3 ~ 6	1	1.00
26.790.06.090	SBT40 x SKX6 - 90	155.4	90	51	18	18	-	M8 x 1.25P	3 ~ 6	1	1.10
26.790.06.120	SBT40 x SKX6 - 120	185.4	120	93	18	18	53	M8 x 1.25P	3 ~ 6	2	1.56
26.790.06.150	SBT40 x SKX6 - 150	215.4	150	123	18	18	53	M8 x 1.25P	3 ~ 6	2	1.72
26.790.10.060	SBT40 x SKX10 - 60	125.4	60	32	30	30	-	M12 x 1.75P	3 ~ 10	1	1.10
26.790.10.075	SBT40 x SKX10 - 75	140.4	75	45	30	30	-	M12 x 1.75P	3 ~ 10	1	1.20
26.790.10.090	SBT40 x SKX10 - 90	155.4	90	48	30	30	-	M12 x 1.75P	3 ~ 10	1	1.20
26.790.10.120	SBT40 x SKX10 - 120	185.4	120	93	30	30	53	M12 x 1.75P	3 ~ 10	2	1.40
26.790.10.150	SBT40 x SKX10 - 150	215.4	150	123	30	30	53	M12 x 1.75P	3 ~ 10	2	1.91
26.790.10.180	SBT40 x SKX10 - 180	245.4	180	153	30	30	53	M12 x 1.75P	3 ~ 10	2	2.08
26.790.10.200	SBT40 x SKX10 - 200	265.4	200	173	30	30	53	M12 x 1.75P	3 ~ 10	2	2.17
26.790.10.250	SBT40 x SKX10 - 250	315.4	250	223	30	30	53	M12 x 1.75P	3 ~ 10	2	2.31
26.790.13.080	SBT40 x SKX13 - 80	145.4	80	50	33	33	-	M12 x 1.75P	3 ~ 13	1	1.10
26.790.13.100	SBT40 x SKX13 - 100	165.4	100	70	33	33	-	M12 x 1.75P	3 ~ 13	1	1.30
26.790.13.120	SBT40 x SKX13 - 120	185.4	120	90	33	33	-	M12 x 1.75P	3 ~ 13	2	1.40
26.790.16.060	SBT40 x SKX16 - 60	125.4	60	32	40	40	-	M18 x 1.5P	3 ~ 16	1	1.30
26.790.16.075	SBT40 x SKX16 - 75	140.4	75	43	40	40	-	M18 x 1.5P	3 ~ 16	1	1.40
26.790.16.090	SBT40 x SKX16 - 90	155.4	90	58	40	40	-	M18 x 1.5P	3 ~ 16	1	1.50
26.790.16.120	SBT40 x SKX16 - 120	185.4	120	93	40	40	62.5	M18 x 1.5P	3 ~ 16	2	1.83
26.790.16.150	SBT40 x SKX16 - 150	215.4	150	123	40	40	62.5	M18 x 1.5P	3 ~ 16	2	2.05
26.790.16.180	SBT40 x SKX16 - 180	245.4	180	153	40	40	62.5	M18 x 1.5P	3 ~ 16	2	2.27
26.790.16.200	SBT40 x SKX16 - 200	265.4	200	173	40	40	62.5	M18 x 1.5P	3 ~ 16	2	2.41
26.790.16.250	SBT40 x SKX16 - 250	315.4	250	223	40	40	62.5	M18 x 1.5P	3 ~ 16	2	3.21
26.790.20.060	SBT40 x SKX20 - 60	125.4	60	32	48.5	48.5	-	M22 x 1.5P	3 ~ 20	1	1.30
26.790.20.075	SBT40 x SKX20 - 75	140.4	75	45	48.5	48.5	-	M22 x 1.5P	3 ~ 20	1	1.40
26.790.20.090	SBT40 x SKX20 - 90	155.4	90	60	48.5	48.5	-	M22 x 1.5P	3 ~ 20	1	1.60
26.790.20.120	SBT40 x SKX20 - 120	185.4	120	93	48.5	48.5	62.5	M22 x 1.5P	3 ~ 20	2	2.00
26.790.25.075	SBT40 x SKX25 - 75	140.4	75	47	55	55	-	M28 x 2.0P	3 ~ 25	1	1.70
26.790.25.090	SBT40 x SKX25 - 90	155.4	90	61	55	55	-	M28 x 2.0P	3 ~ 25	1	1.80
26.790.25.120	SBT40 x SKX25 - 120	185.4	120	93	55	55	-	M28 x 2.0P	3 ~ 25	1	2.00

Features:

- ▶ SKX sealed cap is optional. Please order SKX sealed cap additionally.
- ▶ With the design of SKX sealed cap, coolant pressure capable up to 70 bar.
- ▶ Used with coolant-through tools.
- ▶ Balance: G2.5 25,000rpm.

Standard Accessory: • NUT

Collet	Nut	Sealed Cap	Pull Stud	Preset Screw	Spanner	Sealed Cap Spanner
P.W-29	P.W-55	P.W-56	P.W-60~61	P.W-88	P.W-68~73	P.W-72



SBT / SKX COLLET CHUCK



SBT / SKX 法蘭加厚型立銑刀夾頭



Fig.1

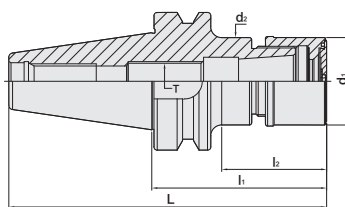
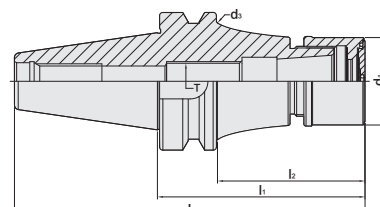


Fig.2



MODEL NO.	TYPE	L	l ₁	l ₂	d ₁	d ₂	d ₃	T	SIZE RANGE	Fig.	WEIGHT (KGS)
27.790.06.105	SBT50 x SKX6 - 105	206.8	105	55	18	18	-	M8 x 1.25P	3 ~ 6	1	3.80
27.790.06.135	SBT50 x SKX6 - 135	236.8	135	60	18	18	-	M8 x 1.25P	3 ~ 6	1	3.90
27.790.06.165	SBT50 x SKX6 - 165	266.8	165	85	18	18	-	M8 x 1.25P	3 ~ 6	1	4.00
27.790.06.200	SBT50 x SKX6 - 200	301.8	200	162	18	18	85	M8 x 1.25P	3 ~ 6	2	5.83
27.790.10.105	SBT50 x SKX10 - 105	206.8	105	57	30	30	-	M12 x 1.75P	3 ~ 10	1	4.20
27.790.10.135	SBT50 x SKX10 - 135	236.8	135	70	30	30	-	M12 x 1.75P	3 ~ 10	1	4.40
27.790.10.165	SBT50 x SKX10 - 165	266.8	165	90	30	30	-	M12 x 1.75P	3 ~ 10	1	4.60
27.790.10.200	SBT50 x SKX10 - 200	301.8	200	162	30	30	85	M12 x 1.75P	3 ~ 10	2	6.19
27.790.10.225	SBT50 x SKX10 - 225	326.8	225	187	30	30	85	M12 x 1.75P	3 ~ 10	2	6.56
27.790.10.250	SBT50 x SKX10 - 250	351.8	250	212	30	30	85	M12 x 1.75P	3 ~ 10	2	6.92
27.790.10.300	SBT50 x SKX10 - 300	401.8	300	262	30	30	85	M12 x 1.75P	3 ~ 10	2	7.55
27.790.13.105	SBT50 x SKX13 - 105	206.8	105	62	35	33	-	M12 x 1.75P	3 ~ 13	1	4.50
27.790.13.135	SBT50 x SKX13 - 135	236.8	135	92	35	33	-	M12 x 1.75P	3 ~ 13	2	4.70
27.790.13.165	SBT50 x SKX13 - 165	266.8	165	92	35	33	-	M12 x 1.75P	3 ~ 13	2	4.90
27.790.13.200	SBT50 x SKX13 - 200	301.8	200	92	35	33	-	M12 x 1.75P	3 ~ 13	2	5.20
27.790.13.250	SBT50 x SKX13 - 250	351.8	250	92	35	33	-	M12 x 1.75P	3 ~ 13	2	5.70
27.790.16.105	SBT50 x SKX16 - 105	206.8	105	62	40	40	-	M18 x 1.5P	3 ~ 16	1	4.70
27.790.16.135	SBT50 x SKX16 - 135	236.8	135	92	40	40	-	M18 x 1.5P	3 ~ 16	1	4.90
27.790.16.165	SBT50 x SKX16 - 165	266.8	165	90	40	40	-	M18 x 1.5P	3 ~ 16	1	5.10
27.790.16.200	SBT50 x SKX16 - 200	301.8	200	162	40	40	85	M18 x 1.5P	3 ~ 16	2	6.31
27.790.16.250	SBT50 x SKX16 - 250	351.8	250	212	40	40	85	M18 x 1.5P	3 ~ 16	2	7.13
27.790.16.300	SBT50 x SKX16 - 300	401.8	300	262	40	40	85	M18 x 1.5P	3 ~ 16	2	7.87
27.790.20.105	SBT50 x SKX20 - 105	206.8	105	62	48.5	48.5	-	M22 x 1.5P	3 ~ 20	1	4.30
27.790.20.135	SBT50 x SKX20 - 135	236.8	135	92	48.5	48.5	-	M22 x 1.5P	3 ~ 20	1	4.60
27.790.20.165	SBT50 x SKX20 - 165	266.8	165	122	48.5	48.5	-	M22 x 1.5P	3 ~ 20	1	5.00
27.790.20.200	SBT50 x SKX20 - 200	301.8	200	162	48.5	48.5	85	M22 x 1.5P	3 ~ 20	2	6.57
27.790.20.250	SBT50 x SKX20 - 250	351.8	250	212	48.5	48.5	85	M22 x 1.5P	3 ~ 20	2	7.47
27.790.20.300	SBT50 x SKX20 - 300	401.8	300	262	48.5	48.5	85	M22 x 1.5P	3 ~ 20	2	8.27
27.790.25.105	SBT50 x SKX25 - 105	206.8	105	62	55	55	-	M28 x 2.0P	3 ~ 25	1	5.20
27.790.25.135	SBT50 x SKX25 - 135	236.8	135	92	55	55	-	M28 x 2.0P	3 ~ 25	1	5.40
27.790.25.165	SBT50 x SKX25 - 165	266.8	165	122	55	55	-	M28 x 2.0P	3 ~ 25	1	5.60
27.790.25.200	SBT50 x SKX25 - 200	301.8	200	162	55	55	85	M28 x 2.0P	3 ~ 25	2	6.53
27.790.25.250	SBT50 x SKX25 - 250	351.8	250	212	55	55	85	M28 x 2.0P	3 ~ 25	2	7.57
27.790.25.300	SBT50 x SKX25 - 300	401.8	300	262	55	55	85	M28 x 2.0P	3 ~ 25	2	8.51

Standard Accessory: • NUT

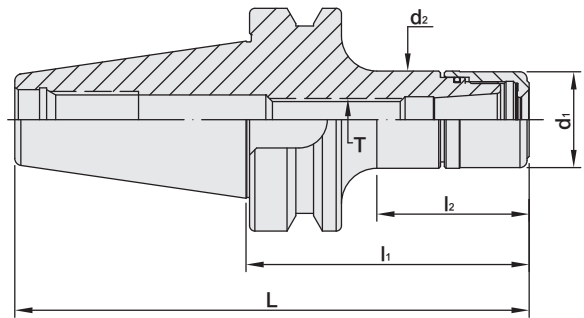
Collet	Nut	Sealed Cap	Pull Stud	Preset Screw	Spanner	Sealed Cap Spanner
P.W-29	P.W-55	P.W-56	P.W-60~61	P.W-88	P.W-68~73	P.W-72



SBT / SK3 COLLET CHUCK



SBT / SK3 法蘭加厚型高速機專用夾頭



MODEL NO.	TYPE	L	l ₁	l ₂	d ₁	d ₂	T	SIZE RANGE	WEIGHT (KGS)
25.763.06.060	SBT30 x SK306 - 60	108.4	60	33	19.5	19.5	M8 x 1.25P	3 ~ 6	0.90
25.763.06.080	SBT30 x SK306 - 80	128.4	80	53	19.5	19.5	M8 x 1.25P	3 ~ 6	1.00
25.763.10.060	SBT30 x SK310 - 60	108.4	60	35	27.5	27.5	M12 x 1.75P	3 ~ 10	0.90
25.763.10.080	SBT30 x SK310 - 80	128.4	80	55	27.5	27.5	M12 x 1.75P	3 ~ 10	1.00
25.763.13.060	SBT30 x SK313 - 60	108.4	60	35	33	33	M12 x 1.75P	3 ~ 13	1.10
25.763.13.080	SBT30 x SK313 - 80	128.4	80	55	33	33	M12 x 1.75P	3 ~ 13	1.00
25.763.16.060	SBT30 x SK316 - 60	108.4	60	38	40	40	M18 x 1.5P	3 ~ 16	1.20
25.763.16.080	SBT30 x SK316 - 80	128.4	80	57	40	40	M18 x 1.5P	3 ~ 16	1.30
26.763.06.080	SBT40 x SK306 - 80	145.4	80	43	19.5	19.5	M8 x 1.25P	3 ~ 6	1.10
26.763.06.100	SBT40 x SK306 - 100	165.4	100	63	19.5	19.5	M8 x 1.25P	3 ~ 6	1.30
26.763.06.120	SBT40 x SK306 - 120	185.4	120	83	19.5	19.5	M8 x 1.25P	3 ~ 6	1.40
26.763.10.080	SBT40 x SK310 - 80	145.4	80	43	27.5	27.5	M12 x 1.75P	3 ~ 10	1.10
26.763.10.100	SBT40 x SK310 - 100	165.4	100	63	27.5	27.5	M12 x 1.75P	3 ~ 10	1.30
26.763.10.120	SBT40 x SK310 - 120	185.4	120	83	27.5	27.5	M12 x 1.75P	3 ~ 10	1.40
26.763.13.080	SBT40 x SK313 - 80	145.4	80	50	33	33	M12 x 1.75P	3 ~ 13	1.10
26.763.13.100	SBT40 x SK313 - 100	165.4	100	70	33	33	M12 x 1.75P	3 ~ 13	1.30
26.763.13.120	SBT40 x SK313 - 120	185.4	120	90	33	33	M12 x 1.75P	3 ~ 13	1.40
26.763.16.080	SBT40 x SK316 - 80	145.4	80	48	40	40	M18 x 1.5P	3 ~ 16	1.20
26.763.16.100	SBT40 x SK316 - 100	165.4	100	68	40	40	M18 x 1.5P	3 ~ 16	1.40
26.763.16.120	SBT40 x SK316 - 120	185.4	120	88	40	40	M18 x 1.5P	3 ~ 16	1.50

Product information:

- ▶ Balance: G2.5 25,000 rpm. Higher balancing grade and revolution can be done upon request but additional charge is needed.
- ▶ AD+B type is available, please inform us when making an order.
- ▶ SBT30 tool holders are without coolant supply over collars.

Standard Accessory: • NUT

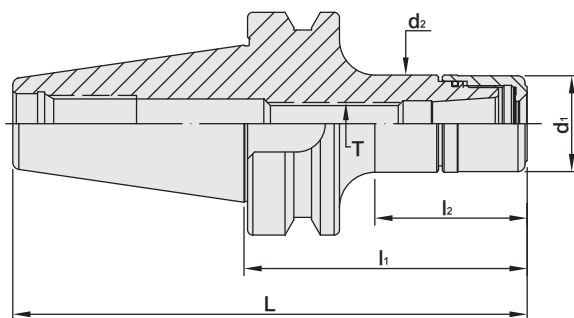
Collet	Nut	Pull Stud	Preset Screw	Spanner
P.W-29~32	P.W-52	P.W-60~61	P.W-88	P.W-68~73



SBT / SK3 COLLET CHUCK

Dual
DRIVE+5 μ m

SBT / SK3 法蘭加厚型高速機專用夾頭



MODEL NO.	TYPE	L	l ₁	l ₂	d ₁	d ₂	T	SIZE RANGE	WEIGHT (KGS)
27.763.06.080	SBT50 x SK306 - 80	181.8	80	34	19.5	19.5	M8 x 1.25P	3 ~ 6	4.00
27.763.06.100	SBT50 x SK306 - 100	201.8	100	54	19.5	19.5	M8 x 1.25P	3 ~ 6	4.10
27.763.06.120	SBT50 x SK306 - 120	221.8	120	61	19.5	19.5	M8 x 1.25P	3 ~ 6	4.20
27.763.10.080	SBT50 x SK310 - 80	181.8	80	39	27.5	27.5	M12 x 1.75P	3 ~ 10	4.10
27.763.10.100	SBT50 x SK310 - 100	201.8	100	57	27.5	27.5	M12 x 1.75P	3 ~ 10	4.20
27.763.10.120	SBT50 x SK310 - 120	221.8	120	79	27.5	27.5	M12 x 1.75P	3 ~ 10	4.30
27.763.13.080	SBT50 x SK313 - 80	181.8	80	39	33	33	M12 x 1.75P	3 ~ 13	4.20
27.763.13.100	SBT50 x SK313 - 100	201.8	100	52	33	33	M12 x 1.75P	3 ~ 13	4.30
27.763.13.120	SBT50 x SK313 - 120	221.8	120	79	33	33	M12 x 1.75P	3 ~ 13	4.40
27.763.16.080	SBT50 x SK316 - 80	181.8	80	40	40	40	M18 x 1.5P	3 ~ 16	4.30
27.763.16.100	SBT50 x SK316 - 100	201.8	100	57	40	40	M18 x 1.5P	3 ~ 16	4.40
27.763.16.120	SBT50 x SK316 - 120	221.8	120	72	40	40	M18 x 1.5P	3 ~ 16	4.50

Product information:

- ▶ Balance: G2.5 25,000 rpm. Higher balancing grade and revolution can be done upon request but additional charge is needed.
- ▶ AD+B type is available, please inform us when making an order.

Standard Accessory: • NUT

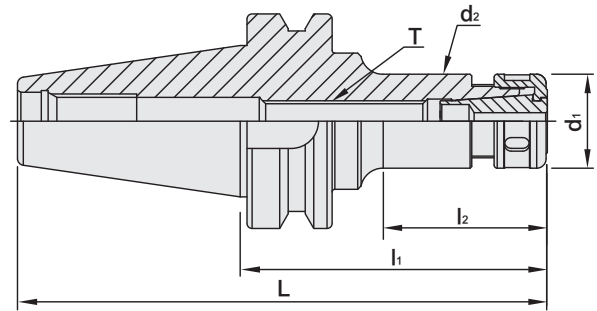
Collet	Nut	Pull Stud	Preset Screw	Spanner
				
P.W-29~32	P.W-52	P.W-60~61	P.W-88	P.W-68~73



SBT / SKS COLLET CHUCK



SBT / SKS 法蘭加厚型高速機專用夾頭



MODEL NO.	TYPE	L	l ₁	l ₂	d ₁	d ₂	T	SIZE RANGE	WEIGHT (KGS)
25.658.06.045	SBT30 x SKS6 - 45	93.4	45	22	18	18	M8 x 1.25P	3 ~ 6	0.80
25.658.06.060	SBT30 x SKS6 - 60	108.4	60	33	18	18	M8 x 1.25P	3 ~ 6	0.90
25.658.10.045	SBT30 x SKS10 - 45	93.4	45	22	30	27.6	M12 x 1.75P	3 ~ 10	0.80
25.658.10.060	SBT30 x SKS10 - 60	108.4	60	33	30	27.6	M12 x 1.75P	3 ~ 10	0.90
25.658.10.090	SBT30 x SKS10 - 90	138.4	90	63	30	27.6	M12 x 1.75P	3 ~ 10	1.00
25.658.13.060	SBT30 x SKS13 - 60	108.4	60	35	35	33	M12 x 1.75P	3 ~ 13	1.10
25.658.13.090	SBT30 x SKS13 - 90	138.4	90	65	35	33	M12 x 1.75P	3 ~ 13	1.10
25.658.13.120	SBT30 x SKS13 - 120	168.4	120	95	35	33	M12 x 1.75P	3 ~ 13	1.20
25.658.16.060	SBT30 x SKS16 - 60	108.4	60	37	40	40	M18 x 1.5P	3 ~ 16	1.20
25.658.16.090	SBT30 x SKS16 - 90	138.4	90	67	40	40	M18 x 1.5P	3 ~ 16	1.20
25.658.20.060	SBT30 x SKS20 - 60	108.4	60	35	48.5	48.5	M12 x 1.75P	3 ~ 20	0.70
25.658.20.090	SBT30 x SKS20 - 90	138.4	90	60	48.5	48.5	M12 x 1.75P	3 ~ 20	1.20

Product information:

- ▶ Balance: G2.5 25,000 rpm. Higher balancing grade and revolution can be done upon request but additional charge is needed.
- ▶ SBT30 tool holders are without coolant supply over collars.

Standard Accessory: • NUT

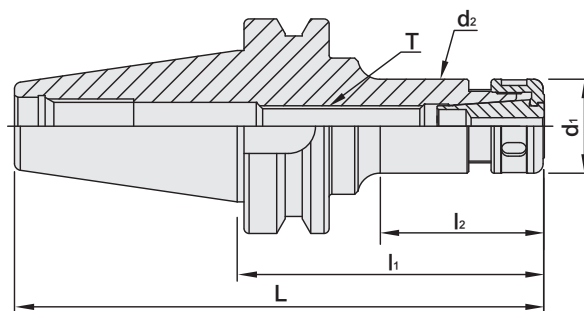
Collet	Nut	Pull Stud	Preset Screw	Spanner
P.W-29~32	P.W-53~54	P.W-60~61	P.W-88	P.W-68~73



SBT / SKS COLLET CHUCK

Dual
DRIVE+5 μ m

SBT / SKS 法蘭加厚型高速機專用夾頭



MODEL NO.	TYPE	L	l ₁	l ₂	d ₁	d ₂	T	SIZE RANGE	WEIGHT (KGS)
26.658.06.090	SBT40 x SKS6 - 90	155.4	90	44	18	18	M8 x 1.25P	3 ~ 6	1.20
26.658.06.120	SBT40 x SKS6 - 120	185.4	120	74	18	18	M8 x 1.25P	3 ~ 6	1.40
26.658.10.090	SBT40 x SKS10 - 90	155.4	90	45	30	27.6	M12 x 1.75P	3 ~ 10	1.50
26.658.10.120	SBT40 x SKS10 - 120	185.4	120	74	30	27	M12 x 1.75P	3 ~ 10	1.60
26.658.13.060	SBT40 x SKS13 - 60	125.4	60	30	35	33	M12 x 1.75P	3 ~ 13	1.20
26.658.13.090	SBT40 x SKS13 - 90	155.4	90	61	35	33	M12 x 1.75P	3 ~ 13	1.40
26.658.13.120	SBT40 x SKS13 - 120	185.4	120	88	35	33	M12 x 1.75P	3 ~ 13	1.60
26.658.16.090	SBT40 x SKS16 - 90	155.4	90	58	40	40	M18 x 1.5P	3 ~ 16	1.60
26.658.16.120	SBT40 x SKS16 - 120	185.4	120	88	40	40	M18 x 1.5P	3 ~ 16	1.70
26.658.20.060	SBT40 x SKS20 - 60	125.4	60	32	48.5	48.5	M22 x 1.5P	3 ~ 20	1.30
26.658.20.090	SBT40 x SKS20 - 90	155.4	90	60	48.5	48.5	M22 x 1.5P	3 ~ 20	1.60
26.658.20.120	SBT40 x SKS20 - 120	185.4	120	90	48.5	48.5	M22 x 1.5P	3 ~ 20	2.00
26.658.25.090	SBT40 x SKS25 - 90	155.4	90	61	55	55	M28 x 2.0P	3 ~ 25.4	1.70
26.658.25.120	SBT40 x SKS25 - 120	185.4	120	91	55	55	M28 x 2.0P	3 ~ 25.4	1.80

Product information:

- ▶ Balance: G2.5 25,000 rpm. Higher balancing grade and revolution can be done upon request but additional charge is needed.
- ▶ AD+B type is available, please inform us when making an order.

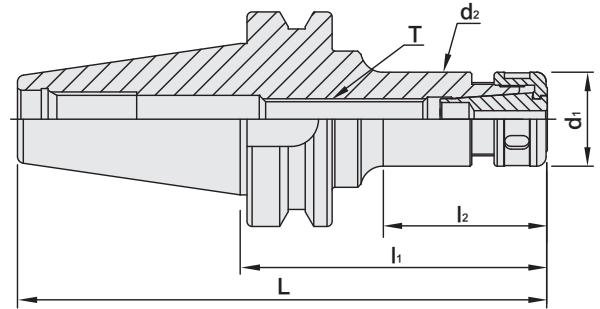
Standard Accessory: • NUT

Collet	Nut	Pull Stud	Preset Screw	Spanner
				
P.W-29~32	P.W-53~54	P.W-60~61	P.W-88	P.W-68~73

SBT / SKS COLLET CHUCK



SBT / SKS 法蘭加厚型高速機專用夾頭



MODEL NO.	TYPE	L	l ₁	l ₂	d ₁	d ₂	T	SIZE RANGE	WEIGHT (KGS)
27.658.06.090	SBT50 x SKS6 - 90	191.8	90	42	18	18	M8 x 1.25P	3 ~ 6	4.00
27.658.06.120	SBT50 x SKS6 - 120	221.8	120	60	18	18	M8 x 1.25P	3 ~ 6	4.20
27.658.10.105	SBT50 x SKS10 - 105	206.8	105	62	30	27.6	M12 x 1.75P	3 ~ 10	4.50
27.658.10.150	SBT50 x SKS10 - 150	251.8	150	94	30	27	M12 x 1.75P	3 ~ 10	4.60
27.658.10.165	SBT50 x SKS10 - 165	266.8	165	108	30	27	M12 x 1.75P	3 ~ 10	4.30
27.658.10.200	SBT50 x SKS10 - 200	301.8	200	145	30	27	M12 x 1.75P	3 ~ 10	5.20
27.658.10.250	SBT50 x SKS10 - 250	351.8	250	193	30	27	M12 x 1.75P	3 ~ 10	5.60
27.658.13.105	SBT50 x SKS13 - 105	206.8	105	62	35	33	M12 x 1.75P	3 ~ 13	4.50
27.658.13.135	SBT50 x SKS13 - 135	236.8	135	92	35	33	M12 x 1.75P	3 ~ 13	4.70
27.658.13.165	SBT50 x SKS13 - 165	266.8	165	92	35	33	M12 x 1.75P	3 ~ 13	4.90
27.658.13.200	SBT50 x SKS13 - 200	301.8	200	92	35	33	M12 x 1.75P	3 ~ 13	5.20
27.658.13.250	SBT50 x SKS13 - 250	351.8	250	92	35	33	M12 x 1.75P	3 ~ 13	5.70
27.658.16.105	SBT50 x SKS16 - 105	206.8	105	57	40	40	M18 x 1.5P	3 ~ 16	4.50
27.658.16.150	SBT50 x SKS16 - 150	251.8	150	93	40	40	M18 x 1.5P	3 ~ 16	4.70
27.658.16.165	SBT50 x SKS16 - 165	266.8	165	108	40	40	M18 x 1.5P	3 ~ 16	4.50
27.658.16.200	SBT50 x SKS16 - 200	301.8	200	92	40	40	M18 x 1.5P	3 ~ 16	5.50
27.658.16.250	SBT50 x SKS16 - 250	351.8	250	92	40	40	M18 x 1.5P	3 ~ 16	6.00
27.658.20.105	SBT50 x SKS20 - 105	206.8	105	62	48.5	48.5	M22 x 1.5P	3 ~ 20	4.30
27.658.20.135	SBT50 x SKS20 - 135	236.8	135	92	48.5	48.5	M22 x 1.5P	3 ~ 20	4.60
27.658.20.165	SBT50 x SKS20 - 165	266.8	165	122	48.5	48.5	M22 x 1.5P	3 ~ 20	5.00
27.658.20.200	SBT50 x SKS20 - 200	301.8	200	157	48.5	48.5	M22 x 1.5P	3 ~ 20	5.40
27.658.20.250	SBT50 x SKS20 - 250	351.8	250	207	48.5	48.5	M22 x 1.5P	3 ~ 20	6.10
27.658.25.105	SBT50 x SKS25 - 105	206.8	105	62	55	55	M28 x 2.0P	3 ~ 25.4	4.50
27.658.25.150	SBT50 x SKS25 - 150	251.8	150	107	55	55	M28 x 2.0P	3 ~ 25.4	4.80
27.658.25.200	SBT50 x SKS25 - 200	301.8	200	157	55	55	M28 x 2.0P	3 ~ 25.4	6.00
27.658.25.250	SBT50 x SKS25 - 250	351.8	250	207	55	55	M28 x 2.0P	3 ~ 25.4	6.70

Product information:

- ▶ Balance: G2.5 25,000 rpm. Higher balancing grade and revolution can be done upon request but additional charge is needed.
- ▶ AD+B type is available, please inform us when making an order.

Standard Accessory: • NUT

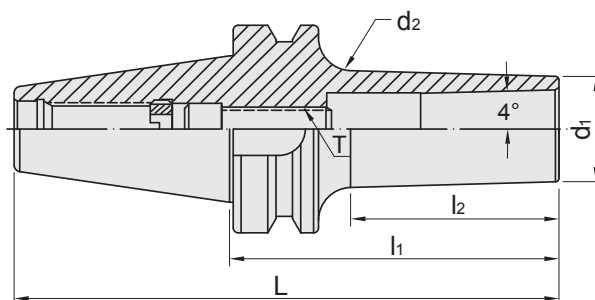
Collet	Nut	Pull Stud	Preset Screw	Spanner
P.W-29~32	P.W-53~54	P.W-60~61	P.W-88	P.W-68~73



SBT / SBL SLIM-FIT COLLET CHUCK

Dual
DRIVE+

SBT / SBL 法蘭加厚型後拉式立銑刀夾頭



T W PAT NO. M274178

MODEL NO.	TYPE	L	l ₁	l ₂	d ₁	d ₂	T	RECOMMENDED TORQUE		SIZE RANGE	WEIGHT (KGS)
								N.m	1bf-ft		
25.648.06.070	SBT30 x SBL6 - 70	118.4	70	38	14	18	M6 x 1.0P	12	9	3 ~ 6	0.60
25.648.06.100	SBT30 x SBL6 - 100	148.4	100	68	14	21	M6 x 1.0P	12	9	3 ~ 6	1.25
25.648.12.070	SBT30 x SBL12 - 70	118.4	70	47	26	33	M10 x 1.5P	45	33	3 ~ 12	1.20
25.648.12.100	SBT30 x SBL12 - 100	148.4	100	77	26	38	M10 x 1.5P	45	33	3 ~ 12	1.45
25.648.20.080	SBT30 x SBL20 - 80	128.4	80	55	34	37	M12 x 1.75P	60	44	3 ~ 20	1.20
25.648.20.100	SBT30 x SBL20 - 100	148.4	100	77	34	39	M12 x 1.75P	60	44	3 ~ 20	1.45
26.648.06.070	SBT40 x SBL6 - 70	135.4	70	28	14	17	M6 x 1.0P	12	9	3 ~ 6	1.07
26.648.06.100	SBT40 x SBL6 - 100	165.4	100	58	14	20	M6 x 1.0P	12	9	3 ~ 6	1.14
26.648.06.130	SBT40 x SBL6 - 130	195.4	130	88	14	23	M6 x 1.0P	12	9	3 ~ 6	1.23
26.648.08.100	SBT40 x SBL8 - 100	165.4	100	58.7	20	26.1	M8 x 1.25P	29	21	3 ~ 8	1.25
26.648.08.130	SBT40 x SBL8 - 130	195.4	130	93.5	20	29.8	M8 x 1.25P	29	21	3 ~ 8	1.38
26.648.08.150	SBT40 x SBL8 - 150	215.4	150	113.5	20	31.8	M8 x 1.25P	29	21	3 ~ 8	1.50
26.648.12.070	SBT40 x SBL12 - 70	135.4	70	33	26	31	M10 x 1.5P	45	33	3 ~ 12	1.14
26.648.12.100	SBT40 x SBL12 - 100	165.4	100	63	26	31	M10 x 1.5P	45	33	3 ~ 12	1.29
26.648.12.130	SBT40 x SBL12 - 130	195.4	130	93	26	34	M10 x 1.5P	45	33	3 ~ 12	1.47
26.648.12.170	SBT40 x SBL12 - 170	235.4	170	133	26	37	M10 x 1.5P	45	33	3 ~ 12	1.76
26.648.20.070	SBT40 x SBL20 - 70	135.4	70	33	35	38	M12 x 1.75P	60	44	3 ~ 20	1.50
26.648.20.100	SBT40 x SBL20 - 100	165.4	100	68	35	40	M12 x 1.75P	60	44	3 ~ 20	1.70
26.648.20.130	SBT40 x SBL20 - 130	195.4	130	98	35	43	M12 x 1.75P	60	44	3 ~ 20	1.74
26.648.25.080	SBT40 x SBL25 - 80	145.4	80	50.1	40	44.3	M16 x 1.5P	90	66	6 ~ 25.4	1.70
26.648.25.100	SBT40 x SBL25 - 100	165.4	100	70.1	40	46.1	M16 x 1.5P	90	66	6 ~ 25.4	1.90
27.648.06.070	SBT50 x SBL6 - 70	171.8	70	17	14	15	M6 x 1.0P	12	9	3 ~ 6	4.00
27.648.06.100	SBT50 x SBL6 - 100	201.8	100	47	14	19	M6 x 1.0P	12	9	3 ~ 6	4.10
27.648.08.100	SBT50 x SBL8 - 100	201.8	100	47.7	20	25	M8 x 1.25P	29	21	3 ~ 8	3.78
27.648.08.130	SBT50 x SBL8 - 130	231.8	130	77.7	20	28.1	M8 x 1.25P	29	21	3 ~ 8	3.92
27.648.08.150	SBT50 x SBL8 - 150	251.8	150	97.7	20	30.2	M8 x 1.25P	29	21	3 ~ 8	4.04
27.648.12.070	SBT50 x SBL12 - 70	171.8	70	22	26	28	M10 x 1.5P	45	33	3 ~ 12	4.20
27.648.12.100	SBT50 x SBL12 - 100	201.8	100	52	26	30	M10 x 1.5P	45	33	3 ~ 12	4.30
27.648.12.125	SBT50 x SBL12 - 125	226.8	125	77	26	32	M10 x 1.5P	45	33	3 ~ 12	4.40
27.648.20.070	SBT50 x SBL20 - 70	171.8	70	22	35	36	M12 x 1.75P	60	44	3 ~ 20	4.60
27.648.20.100	SBT50 x SBL20 - 100	201.8	100	52	35	39	M12 x 1.75P	60	44	3 ~ 20	4.70
27.648.20.125	SBT50 x SBL20 - 125	226.8	125	77	35	41	M12 x 1.75P	60	44	3 ~ 20	4.22
27.648.25.070	SBT50 x SBL25 - 70	171.8	70	22.4	40	41.9	M16 x 1.5P	90	66	6 ~ 25.4	4.80
27.648.25.100	SBT50 x SBL25 - 100	201.8	100	52.4	40	44.5	M16 x 1.5P	90	66	6 ~ 25.4	5.00

Product information:

- ▶ Balance: G2.5 25,000 rpm. Higher balancing grade and revolution can be done upon request but additional charge is needed.
- ▶ AD+B type is available, please inform us when making an order. ▶ SBT30 tool holders are without coolant supply over collars.

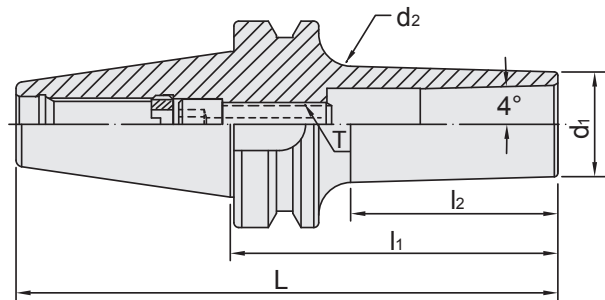
Collet	Pull Stud	Screw	Spanner
P.W-33	P.W-60~61	P.W-91	P.W-72



SBT / SBLC SLIM-FIT COLLET CHUCK



SBT / SBLC 法蘭加厚型後拉式立銑刀夾頭



T W PAT NO. M274178

MODEL NO.	TYPE	L	l ₁	l ₂	d ₁	d ₂	T	RECOMMENDED TORQUE		SIZE RANGE	WEIGHT (KGS)
								N.m	1bf-ft		
25.648C.06.070	SBT30 x SBLC6 - 70	118.4	70	38	14	18	M6 x 1.0P	12	9	3 ~ 6	0.60
25.648C.06.100	SBT30 x SBLC6 - 100	148.4	100	68	14	21	M6 x 1.0P	12	9	3 ~ 6	1.25
25.648C.12.070	SBT30 x SBLC12 - 70	118.4	70	47	26	33	M10 x 1.5P	45	33	3 ~ 12	1.20
25.648C.12.100	SBT30 x SBLC12 - 100	148.4	100	77	26	38	M10 x 1.5P	45	33	3 ~ 12	1.45
25.648C.20.080	SBT30 x SBLC20 - 80	128.4	80	55	34	37	M12 x 1.75P	60	44	3 ~ 20	1.20
25.648C.20.100	SBT30 x SBLC20 - 100	148.4	100	77	34	39	M12 x 1.75P	60	44	3 ~ 20	1.45
26.648C.06.070	SBT40 x SBLC6 - 70	135.4	70	28	14	17	M6 x 1.0P	12	9	3 ~ 6	1.07
26.648C.06.100	SBT40 x SBLC6 - 100	165.4	100	58	14	20	M6 x 1.0P	12	9	3 ~ 6	1.14
26.648C.06.130	SBT40 x SBLC6 - 130	195.4	130	88	14	23	M6 x 1.0P	12	9	3 ~ 6	1.23
26.648C.08.100	SBT40 x SBLC8 - 100	165.4	100	58.7	20	26.1	M8 x 1.25P	29	21	3 ~ 8	1.25
26.648C.08.130	SBT40 x SBLC8 - 130	195.4	130	93.5	20	29.8	M8 x 1.25P	29	21	3 ~ 8	1.38
26.648C.08.150	SBT40 x SBLC8 - 150	215.4	150	113.5	20	31.8	M8 x 1.25P	29	21	3 ~ 8	1.50
26.648C.12.070	SBT40 x SBLC12 - 70	135.4	70	33	26	31	M10 x 1.5P	45	33	3 ~ 12	1.14
26.648C.12.100	SBT40 x SBLC12 - 100	165.4	100	63	26	31	M10 x 1.5P	45	33	3 ~ 12	1.29
26.648C.12.130	SBT40 x SBLC12 - 130	195.4	130	93	26	34	M10 x 1.5P	45	33	3 ~ 12	1.47
26.648C.12.170	SBT40 x SBLC12 - 170	235.4	170	133	26	37	M10 x 1.5P	45	33	3 ~ 12	1.76
26.648C.20.070	SBT40 x SBLC20 - 70	135.4	70	33	35	38	M12 x 1.75P	60	44	3 ~ 20	1.50
26.648C.20.100	SBT40 x SBLC20 - 100	165.4	100	68	35	40	M12 x 1.75P	60	44	3 ~ 20	1.70
26.648C.20.130	SBT40 x SBLC20 - 130	195.4	130	98	35	43	M12 x 1.75P	60	44	3 ~ 20	1.74
26.648C.25.080	SBT40 x SBLC25 - 80	145.4	80	50.1	40	44.3	M16 x 1.5P	90	66	6 ~ 25.4	1.70
26.648C.25.100	SBT40 x SBLC25 - 100	165.4	100	70.1	40	46.1	M16 x 1.5P	90	66	6 ~ 25.4	1.90
27.648C.06.070	SBT50 x SBLC6 - 70	171.8	70	17	14	15	M6 x 1.0P	12	9	3 ~ 6	4.00
27.648C.06.100	SBT50 x SBLC6 - 100	201.8	100	47	14	19	M6 x 1.0P	12	9	3 ~ 6	4.10
27.648C.08.100	SBT50 x SBLC8 - 100	201.8	100	47.7	20	25	M8 x 1.25P	29	21	3 ~ 8	3.78
27.648C.08.130	SBT50 x SBLC8 - 130	231.8	130	77.7	20	28.1	M8 x 1.25P	29	21	3 ~ 8	3.92
27.648C.08.150	SBT50 x SBLC8 - 150	251.8	150	97.7	20	30.2	M8 x 1.25P	29	21	3 ~ 8	4.04
27.648C.12.070	SBT50 x SBLC12 - 70	171.8	70	22	26	28	M10 x 1.5P	45	33	3 ~ 12	4.20
27.648C.12.100	SBT50 x SBLC12 - 100	201.8	100	52	26	30	M10 x 1.5P	45	33	3 ~ 12	4.30
27.648C.12.125	SBT50 x SBLC12 - 125	226.8	125	77	26	32	M10 x 1.5P	45	33	3 ~ 12	4.40
27.648C.20.070	SBT50 x SBLC20 - 70	171.8	70	22	35	36	M12 x 1.75P	60	44	3 ~ 20	4.60
27.648C.20.100	SBT50 x SBLC20 - 100	201.8	100	52	35	39	M12 x 1.75P	60	44	3 ~ 20	4.70
27.648C.20.125	SBT50 x SBLC20 - 125	226.8	125	77	35	41	M12 x 1.75P	60	44	3 ~ 20	4.22
27.648C.25.070	SBT50 x SBLC25 - 70	171.8	70	22.4	40	41.9	M16 x 1.5P	90	66	6 ~ 25.4	4.80
27.648C.25.100	SBT50 x SBLC25 - 100	201.8	100	52.4	40	44.5	M16 x 1.5P	90	66	6 ~ 25.4	5.00

Standard Accessory: • SPANNER

Sealed Collet	Pull Stud	Screw	Spanner
P.W-34	P.W-60~61	P.W-91	P.W-72

Product information:

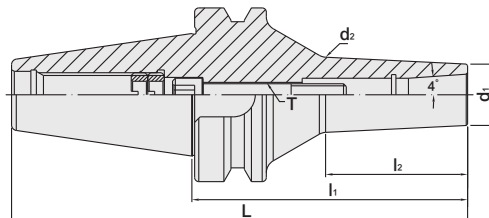
- ▶ Balance: G2.5 25,000 rpm. Higher balancing grade and revolution can be done upon request but additional charge is needed.
- ▶ AD+B type is available, please inform us when making an order.
- ▶ SBT30 tool holders are without coolant supply over collars.
- ▶ Used with SLC sealed collet and coolant through cutters.



SBT / EBL SLIM-FIT COLLET CHUCK

Dual
DRIVE+

SBT / EBL 法蘭加厚型後拉式刀桿



MODEL NO.	TYPE	L	l ₁	l ₂	d ₁	d ₂	T	TORQUE		SIZE RANGE	WEIGHT (KGS)
								N.m	lbf-ft		
25.277.06.070	SBT30 x EBL6 - 70	118.4	70	40.6	19.05	23	M6 x 1.0P	12	9	3 ~ 6	0.51
25.277.06.100	SBT30 x EBL6 - 100	148.4	100	72.2	19.05	26	M6 x 1.0P	12	9	3 ~ 6	0.62
26.277.06.070	SBT40 x EBL6 - 70	135.4	70	29.9	19.05	21.9	M6 x 1.0P	12	9	3 ~ 6	1.10
26.277.06.100	SBT40 x EBL6 - 100	165.4	100	61.4	19.05	25	M6 x 1.0P	12	9	3 ~ 6	1.20
26.277.08.070	SBT40 x EBL8 - 70	135.4	70	28.2	22.225	24.9	M8 x 1.25P	29	21	3 ~ 8	1.12
26.277.08.100	SBT40 x EBL8 - 100	165.4	100	51.5	22.225	27.6	M8 x 1.25P	29	21	3 ~ 8	1.24
27.277.06.070	SBT50 x EBL6 - 70	171.8	70	18.3	19.05	20.8	M6 x 1.0P	12	9	3 ~ 6	3.68
27.277.06.100	SBT50 x EBL6 - 100	201.8	100	49.9	19.05	23.9	M6 x 1.0P	12	9	3 ~ 6	3.77
27.277.08.070	SBT50 x EBL8 - 70	171.8	70	16.6	22.225	23.8	M8 x 1.25P	29	21	3 ~ 8	3.74
27.277.08.100	SBT50 x EBL8 - 100	201.8	100	48.2	22.225	26.9	M8 x 1.25P	29	21	3 ~ 8	3.84



▶ SBL



▶ EBL

Features:

- ▶ The extended length of EBL collet and special longer inner hole design of holder allow deeper tool insertion and shorter tool overhanging length, improving the machining stability.
- ▶ The optimized design of thicker neck improves the machining rigidity and eliminates micro-vibration.
- ▶ Use with CTS to achieve better dustproof ability and chip evacuation. Capable of coolant pressure up to 25 bar.

Product information:

- ▶ Balance: G2.5 25,000rpm.

Standard Accessory: • ALLEN WRENCH • TORX WRENCH

Collet	Sealed Collet	Pull Stud	Spanner
P.W-35	P.W-36	P.W-60~61	P.W-72



SBT / MLD MULTI - LOCK MILLING CHUCK



SBT / MLD 法蘭加厚型直式筒夾 銑床夾頭



T W PAT NO. M447277
 T W PAT NO. M430337
 T W PAT NO. M451185
 C N PAT NO. ZL201220749784.4
 C H PAT NO. ZL201220749942.6

Fig.1

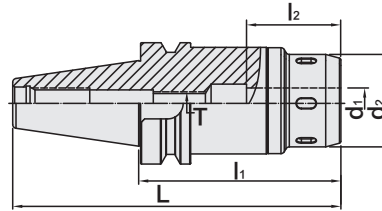
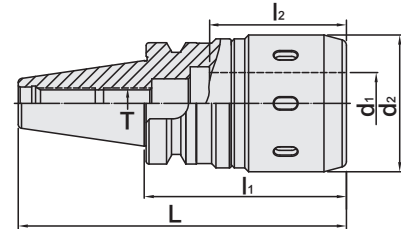


Fig.2



METRIC

MODEL NO.	TYPE	L	l ₁	l ₂	d ₁	d ₂	T	Fig	WEIGHT (KGS)
25.463G.12.080	SBT30 x MLD12 - 80	128.4	80	46.7	12	42	M12 x 1.75P	2	1.00
25.463G.16.075	SBT30 x MLD16 - 75	123.4	75	56.7	16	48	M12 x 1.75P	1	1.20
25.463G.20.080	SBT30 x MLD20 - 80	128.4	80	59.3	20	56.5	M12 x 1.75P	2	1.90
25.463G.20.090	SBT30 x MLD20 - 90	138.4	90	59.3	20	56.5	M16 x 2.0P	2	2.00
25.463G.25.090	SBT30 x MLD25 - 90	138.4	90	58.2	25	60	M16 x 2.0P	2	1.80
26.463G.12.075	SBT40 x MLD12 - 75	140.4	75	46.7	12	42	M12 x 1.75P	1	1.50
26.463G.12.105	SBT40 x MLD12 - 105	170.4	105	46.7	12	42	M12 x 1.75P	1	2.00
26.463G.12.135	SBT40 x MLD12 - 135	200.4	135	46.7	12	42	M12 x 1.75P	1	2.10
26.463G.16.075	SBT40 x MLD16 - 75	140.4	75	56.7	16	48	M12 x 1.75P	1	1.70
26.463G.16.105	SBT40 x MLD16 - 105	170.4	105	56.7	16	48	M12 x 1.75P	1	2.30
26.463G.16.135	SBT40 x MLD16 - 135	200.4	135	56.7	16	48	M12 x 1.75P	1	2.40
26.463G.20.080	SBT40 x MLD20 - 80	145.4	80	59.3	20	56.5	M16 x 2.0P	1	2.30
26.463G.20.100	SBT40 x MLD20 - 100	165.4	100	59.3	20	56.5	M16 x 2.0P	1	2.50
26.463G.20.135	SBT40 x MLD20 - 135	200.4	135	59.3	20	56.5	M16 x 2.0P	1	2.80
26.463G.25.085	SBT40 x MLD25 - 85	150.4	85	58.2	25	60	M16 x 2.0P	1	2.20
26.463G.25.100	SBT40 x MLD25 - 100	165.4	100	58.2	25	60	M16 x 2.0P	1	2.40
26.463G.32.095	SBT40 x MLD32 - 95	160.4	95	71.7	32	71	M16 x 2.0P	2	2.70
26.463G.32.105	SBT40 x MLD32 - 105	170.4	105	71.7	32	71	M16 x 2.0P	2	2.70
26.463G.32.135	SBT40 x MLD32 - 135	200.4	135	71.7	32	71	M16 x 2.0P	2	3.00

Features:

- ▶ Good clamping power. The clamping power of MLD32 type is around 1000 N-m.
- ▶ Runout accuracy of MLD holder body: within 0.005mm.
- ▶ Runout accuracy with collet: within 0.02mm.
- ▶ The tolerance requirement of tool shank diameter is h6.
- ▶ Internal bearing cage helps increase the clamping force.
- ▶ After fastening, the nuts and tool holders contact tight to enhance the cutting rigidity.
- ▶ Coolant options: through the center of holder or cutter. Use sealed caps and SR rings for coolant through cutter.

Product information:

- ▶ The pre-balance reaches G6.3 8,000 rpm. Higher balancing grade and revolution can be done upon request but additional charge is needed.
- ▶ AD+B type is available, please inform us when making an order.
- ▶ SBT30 tool holders are without coolant supply over collars.

Standard Accessory: • NUT • SET SCREW

Collet	Sealed Cap	SR Sealed Ring	Pull Stud	Set Screw	Spanner	Spanner
P.W-38~39	P.W-58	P.W-59	P.W-60~61	P.W-88	P.W-71~72	P.W-73



SBT / MLD MULTI - LOCK MILLING CHUCK



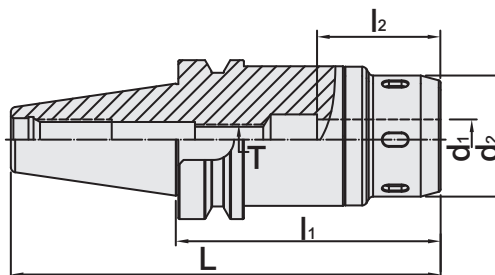
SBT / MLD 法蘭加厚型直式筒夾 銑床夾頭



台灣精品 2007
TAIWAN EXCELLENCE



T W PAT NO. M447277
T W PAT NO. M430337
T W PAT NO. M451185
C N PAT NO. ZL201220749784.4
C H PAT NO. ZL201220749942.6



MODEL NO.	TYPE	L	l ₁	l ₂	d ₁	d ₂	T	WEIGHT (KGS)
27.463G.12.105	SBT50 x MLD12 - 105	206.8	105	46.7	12	42	M12 x 1.75P	4.60
27.463G.12.135	SBT50 x MLD12 - 135	236.8	135	46.7	12	42	M12 x 1.75P	5.10
27.463G.12.165	SBT50 x MLD12 - 165	266.8	165	46.7	12	42	M12 x 1.75P	5.80
27.463G.16.105	SBT50 x MLD16 - 105	206.8	105	56.7	16	48	M12 x 1.75P	4.90
27.463G.16.135	SBT50 x MLD16 - 135	236.8	135	56.7	16	48	M12 x 1.75P	5.60
27.463G.16.165	SBT50 x MLD16 - 165	266.8	165	56.7	16	48	M12 x 1.75P	6.50
27.463G.20.105	SBT50 x MLD20 - 105	206.8	105	59.3	20	56.5	M16 x 2.0P	4.50
27.463G.20.150	SBT50 x MLD20 - 150	251.8	150	59.3	20	56.5	M16 x 2.0P	4.90
27.463G.25.100	SBT50 x MLD25 - 100	201.8	100	58.2	25	60	M16 x 2.0P	4.80
27.463G.25.130	SBT50 x MLD25 - 130	231.8	130	58.2	25	60	M16 x 2.0P	5.70
27.463G.32.105	SBT50 x MLD32 - 105	206.8	105	71.7	32	71	M24 x 3.0P	5.00
27.463G.32.135	SBT50 x MLD32 - 135	236.8	135	71.7	32	71	M24 x 3.0P	5.20
27.463G.32.165	SBT50 x MLD32 - 165	266.8	165	71.7	32	71	M24 x 3.0P	6.70
27.463G.42.115	SBT50 x MLD42 - 115	216.8	115	84.8	42	90	M24 x 3.0P	5.50
27.463G.42.130	SBT50 x MLD42 - 130	231.8	130	84.8	42	90	M24 x 3.0P	6.50
27.463G.42.165	SBT50 x MLD42 - 165	266.8	165	84.8	42	90	M24 x 3.0P	7.70

Features:

- ▶ Good clamping power. The clamping power of MLD32 type is around 1000 N-m.
- ▶ Runout accuracy of MLD holder body: within 0.005mm.
- ▶ Runout accuracy with collet: within 0.02mm.
- ▶ The tolerance requirement of tool shank diameter is h6.
- ▶ Internal bearing cage helps increase the clamping force.
- ▶ After fastening, the nuts and tool holders contact tight to enhance the cutting rigidity.
- ▶ Coolant options: through the center of holder or cutter. Use sealed caps and SR rings for coolant through cutter.

Product information:

- ▶ The pre-balance reaches G6.3 8,000 rpm. Higher balancing grade and revolution can be done upon request but additional charge is needed.
- ▶ AD+B type is available, please inform us when making an order.

Standard Accessory: • NUT • SET SCREW

Collet	Sealed Cap	SR Sealed Ring	Pull Stud	Set Screw	Spanner	Spanner
P.W-38~39	P.W-58	P.W-59	P.W-60~61	P.W-88	P.W-71~72	P.W-73

SBT / MLD MULTI - LOCK MILLING CHUCK



SBT / MLD 法蘭加厚型直式筒夾 銑床夾頭



Fig.1

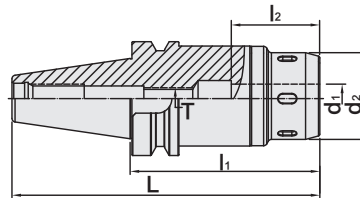
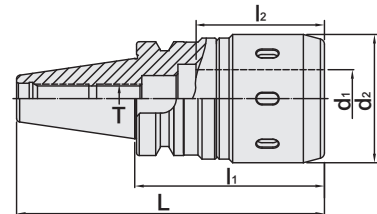


Fig.2



T W PAT NO. M447277
 T W PAT NO. M430337
 T W PAT NO. M451185
 C N PAT NO. ZL201220749784.4
 C H PAT NO. ZL201220749942.6

INCHES

MODEL NO.	TYPE	L	l ₁	l ₂	d ₁	d ₂	T	Fig	WEIGHT (KGS)
25.463G.58.315	SBT30 x MLD1/2" - 3.15"	5.05	3.15	1.84	0.5	1.654	M12 x 1.75P	2	1.00
25.463G.61.295	SBT30 x MLD5/8" - 2.95"	4.86	2.95	2.23	0.625	1.889	M12 x 1.75P	1	1.20
25.463G.64.354	SBT30 x MLD3/4" - 3.54"	5.449	3.54	2.34	0.75	2.224	M12 x 1.75P	2	1.90
25.463G.68.354	SBT30 x MLD1" - 3.54"	5.449	3.54	2.49	1	2.36	M16 x 2.0P	2	1.80
26.463G.58.295	SBT40 x MLD1/2" - 2.95"	5.528	2.95	1.84	0.5	1.654	M12 x 1.75P	1	1.50
26.463G.61.295	SBT40 x MLD5/8" - 2.95"	5.528	2.95	2.23	0.625	1.889	M12 x 1.75P	1	1.70
26.463G.64.315	SBT40 x MLD3/4" - 3.15"	5.724	3.15	2.34	0.75	2.224	M16 x 2.0P	1	2.30
26.463G.68.335	SBT40 x MLD1" - 3.35"	5.921	3.35	2.49	1	2.36	M16 x 2.0P	1	2.20
26.463G.72.400	SBT40 x MLD1-1/4" - 4"	6.575	4	2.8	1.25	2.795	M16 x 2.0P	2	2.70
27.463G.58.400	SBT50 x MLD1/2" - 4"	8.008	4	1.84	0.5	1.654	M12 x 1.75P	1	4.60
27.463G.61.400	SBT50 x MLD5/8" - 4"	8.008	4	2.23	0.625	1.889	M12 x 1.75P	1	4.90
27.463G.64.400	SBT50 x MLD3/4" - 4"	8.008	4	2.34	0.75	2.224	M16 x 2.0P	1	4.50
27.463G.68.413	SBT50 x MLD1" - 4.13"	8.14	4.13	2.49	1	2.36	M16 x 2.0P	1	4.80
27.463G.68.512	SBT50 x MLD1" - 5.12"	9.126	5.12	2.49	1	2.36	M16 x 2.0P	1	5.70
27.463G.72.400	SBT50 x MLD1-1/4" - 4"	8.008	4	2.8	1.25	2.795	M24 x 3.0P	1	4.90

Features:

- ▶ Good clamping power. The clamping power of MLD32 type is around 1000 N-m.
- ▶ Runout accuracy of MLD holder body: within 0.005mm.
- ▶ Runout accuracy with collet: within 0.02mm.
- ▶ The tolerance requirement of tool shank diameter is h6.
- ▶ Internal bearing cage helps increase the clamping force.
- ▶ After fastening, the nuts and tool holders contact tight to enhance the cutting rigidity.
- ▶ Coolant options: through the center of holder or cutter. Use sealed caps and SR rings for coolant through cutter.

Product information:

- ▶ The pre-balance reaches G6.3 8,000 rpm. Higher balancing grade and revolution can be done upon request but additional charge is needed.
- ▶ AD+B type is available, please inform us when making an order.
- ▶ SBT30 tool holders are without coolant supply over collars.

Standard Accessory: • NUT • SET SCREW

Collet	Sealed Cap	SR Sealed Ring	Pull Stud	Set Screw	Spanner	Spanner
P.W-38~39	P.W-58	P.W-59	P.W-60~61	P.W-88	P.W-71~72	P.W-73



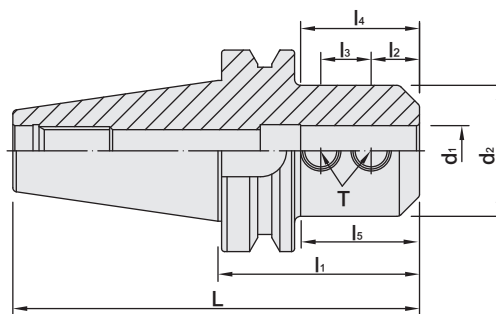
SBT / SLN SIDE LOCK END MILL HOLDER

SBT

Dual
DRIVE+

SBT / SLN 法蘭加厚型側固式立銑刀柄

[DIN ISO 1835]



MODEL NO.	TYPE	L	l ₁	l ₂	l ₃	l ₄	l ₅	d ₁	d ₂	T	WEIGHT (KGS)
25.653.06.060	SBT30 x SLN6 - 60	108.4	60	18	-	35	33	6	25	M6 x 1.0P	0.55
25.653.08.060	SBT30 x SLN8 - 60	108.4	60	18	-	35	33	8	28	M8 x 1.25P	0.60
25.653.10.060	SBT30 x SLN10 - 60	108.4	60	20	-	39	35	10	35	M10 x 1.5P	0.70
25.653.12.060	SBT30 x SLN12 - 60	108.4	60	22.5	-	44	36	12	42	M12 x 1.75P	0.75
25.653.16.075	SBT30 x SLN16 - 75	123.4	75	24	-	47	53	16	48	M14 x 2.0P	1.05
25.653.20.075	SBT30 x SLN20 - 75	123.4	75	25	-	49	41	20	52	M16 x 2.0P	1.10
25.653.25.090	SBT30 x SLN25 - 90	138.4	90	24	25	58	68	25	65	M18 x 2.0P	1.70
26.653.06.050	SBT40 x SLN6 - 50	115.4	50	18	-	35	20	6	25	M6 x 1.0P	1.10
26.653.06.150	SBT40 x SLN6 - 150	215.4	150	18	-	35	113	6	25	M6 x 1.0P	1.32
26.653.08.050	SBT40 x SLN8 - 50	115.4	50	18	-	35	20	8	28	M8 x 1.25P	1.10
26.653.08.150	SBT40 x SLN8 - 150	215.4	150	18	-	35	113	8	28	M8 x 1.25P	1.30
26.653.10.063	SBT40 x SLN10 - 63	128.4	63	20	-	39	33.5	10	35	M10 x 1.5P	1.25
26.653.10.150	SBT40 x SLN10 - 150	215.4	150	20	-	39	113	10	35	M10 x 1.5P	1.40
26.653.12.063	SBT40 x SLN12 - 63	128.4	63	22.5	-	44	33.5	12	42	M12 x 1.75P	1.30
26.653.12.150	SBT40 x SLN12 - 150	215.4	150	22.5	-	44	116	12	42	M12 x 1.75P	1.53
26.653.16.063	SBT40 x SLN16 - 63	128.4	63	24	-	47	33.5	16	48	M14 x 2.0P	1.40
26.653.16.150	SBT40 x SLN16 - 150	215.4	150	24	-	47	120	16	48	M14 x 2.0P	1.60
26.653.18.063	SBT40 x SLN18 - 63	128.4	63	24	-	44	33	18	50	M14 x 2.0P	1.65
26.653.20.063	SBT40 x SLN20 - 63	128.4	63	25	-	49	33	20	52	M16 x 2.0P	1.40
26.653.25.100	SBT40 x SLN25 - 100	165.4	100	24	25	58	73	25	65	M18 x 2.0P	2.50
26.653.32.100	SBT40 x SLN32 - 100	165.4	100	24	28	63	73	32	72	M20 x 2.0P	2.75

Features:

- ▶ Internal hole tolerance: H5 (DIN-1835-B standard).
- ▶ The tolerance requirement of tool shank diameter is h6.

Product information:

- ▶ The pre-balance reaches G6.3 8,000 rpm. Higher balancing grade and revolution can be done upon request but additional charge is needed.
- ▶ AD+B type is available, please inform us when making an order.
- ▶ SBT30 tool holders are without coolant supply over collars.

Standard Accessory: • LOCK SCREW

Pull Stud

Lock Screw



P.W-60~61

P.W-90

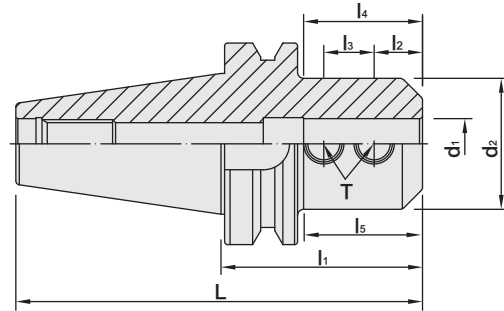


SBT / SLN SIDE LOCK END MILL HOLDER



SBT / SLN 法蘭加厚型側固式立銑刀柄

(DIN ISO 1835)



MODEL NO.	TYPE	L	l ₁	l ₂	l ₃	l ₄	l ₅	d ₁	d ₂	T	WEIGHT (KGS)
27.653.06.063	SBT50 x SLN6 - 63	164.8	63	18	-	35	20	6	25	M6 x 1.0P	3.80
27.653.08.063	SBT50 x SLN8 - 63	164.8	63	18	-	39	20	8	28	M8 x 1.25P	3.80
27.653.10.063	SBT50 x SLN10 - 63	164.8	63	20	-	39	22	10	35	M10 x 1.5P	3.00
27.653.12.080	SBT50 x SLN12 - 80	181.8	80	22.5	-	44	39	12	42	M12 x 1.75P	4.00
27.653.16.080	SBT50 x SLN16 - 80	181.8	80	24	-	47	37	16	48	M14 x 2.0P	4.40
27.653.20.080	SBT50 x SLN20 - 80	181.8	80	25	-	49	37	20	52	M16 x 2.0P	4.40
27.653.25.100	SBT50 x SLN25 - 100	201.8	100	24	25	58	59	25	65	M18 x 2.0P	5.10
27.653.32.105	SBT50 x SLN32 - 105	206.8	105	24	28	63	64	32	72	M20 x 2.0P	5.20
27.653.40.115	SBT50 x SLN40 - 115	216.8	115	30	32	75	74	40	90	M20 x 2.0P	6.70
27.653.40.120	SBT50 x SLN40 - 120	221.8	120	30	32	75	79	40	90	M20 x 2.0P	6.70
27.653.42.120	SBT50 x SLN42 - 120	221.8	120	30	32	75	79	42	90	M20 x 2.0P	6.70
27.653.50.120	SBT50 x SLN50 - 120	221.8	120	35	35	78	82	50	98	M24 x 2.0P	6.80

Features:

- ▶ Internal hole tolerance: H5 (DIN-1835-B standard).
- ▶ The tolerance requirement of tool shank diameter is h6.

Product information:

- ▶ The pre-balance reaches G6.3 8,000 rpm. Higher balancing grade and revolution can be done upon request but additional charge is needed.
- ▶ AD+B type is available, please inform us when making an order.

Standard Accessory: • LOCK SCREW

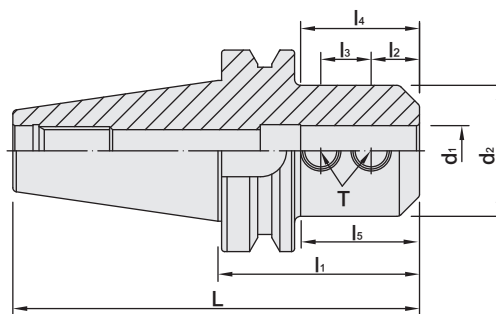
Pull Stud	Lock Screw
P.W-60~61	P.W-90



SBT / SLN SIDE LOCK END MILL HOLDER

Dual
DRIVE+

SBT / SLN 法蘭加厚型側固式立銑刀柄



INCHES

MODEL NO.	TYPE	L	l ₁	l ₂	l ₃	l ₄	l ₅	d ₁	d ₂	T	WEIGHT (KGS)
25.653.52.236	SBT30 x SLN1/8" - 2.36"	4.265	2.36	0.37	-	0.787	1.299	0.125	0.69	#6-32	0.43
25.653.53.236	SBT30 x SLN3/16" - 2.36"	4.265	2.36	0.562	-	0.984	1.102	0.1875	0.69	#8-32	0.44
25.653.54.236	SBT30 x SLN1/4" - 2.36"	4.265	2.36	0.629	-	1.378	1.181	0.25	0.78	1/4"-28	0.45
25.653.55.236	SBT30 x SLN5/16" - 2.36"	4.265	2.36	0.6	-	1.378	1.181	0.3125	0.88	5/16"-24	0.47
25.653.56.236	SBT30 x SLN3/8" - 2.36"	4.265	2.36	0.781	-	1.535	1.299	0.375	1	3/8"-24	0.48
25.653.57.236	SBT30 x SLN7/16" - 2.36"	4.265	2.36	0.812	-	1.535	1.299	0.4375	1.13	7/16"-20	0.51
25.653.58.236	SBT30 x SLN1/2" - 2.36"	4.265	2.36	0.875	-	1.732	1.378	0.5	1.25	7/16"-20	0.54
25.653.61.236	SBT30 x SLN5/8" - 2.36"	4.265	2.36	0.937	-	1.85	1.417	0.625	1.5	1/2"-20	0.61
25.653.61.300	SBT30 x SLN5/8" - 3"	4.906	3	0.937	-	1.85	2.094	0.625	1.5	1/2"-20	0.73
25.653.64.236	SBT30 x SLN3/4" - 2.36"	4.265	2.36	1	-	1.929	1.494	0.75	1.75	5/8"-18	0.65
25.653.68.400	SBT30 x SLN1" - 4"	5.906	4	1.125	1	2.559	2.818	1	2	3/4"-16	1.15

Features:

- ▶ Internal hole tolerance: H5 (DIN-1835-B standard).
- ▶ The tolerance requirement of tool shank diameter is h6.

Product information:

- ▶ The pre-balance reaches G6.3 8,000 rpm. Higher balancing grade and revolution can be done upon request but additional charge is needed.

Standard Accessory: • LOCK SCREW

Pull Stud

Lock Screw



P.W-60~61

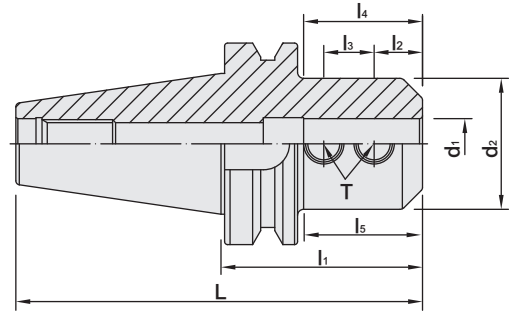
P.W-90



SBT / SLN SIDE LOCK END MILL HOLDER

Dual
DRIVE+

SBT / SLN 法蘭加厚型側固式立銑刀柄



INCHES

MODEL NO.	TYPE	L	l ₁	l ₂	l ₃	l ₄	l ₅	d ₁	d ₂	T	WEIGHT (KGS)
26.653.52.250	SBT40 x SLN1/8" - 2.5"	5.075	2.5	0.37	-	0.787	1.24	0.125	0.69	#6-32	1.01
26.653.52.400	SBT40 x SLN1/8" - 4"	6.575	4	0.37	-	0.787	2.543	0.125	0.69	#6-32	1.06
26.653.53.250	SBT40 x SLN3/16" - 2.5"	5.075	2.5	0.562	-	0.984	1.24	0.1875	0.69	#8-32	1.01
26.653.53.400	SBT40 x SLN3/16" - 4"	6.575	4	0.562	-	0.984	2.543	0.1875	0.69	#8-32	1.02
26.653.54.250	SBT40 x SLN1/4" - 2.5"	5.075	2.5	0.63	-	1.378	1.122	0.25	0.78	1/4"-28	1.10
26.653.54.400	SBT40 x SLN1/4" - 4"	6.575	4	0.63	-	1.378	2.622	0.25	0.78	1/4"-28	1.04
26.653.55.250	SBT40 x SLN5/16" - 2.5"	5.075	2.5	0.6	-	1.378	1.043	0.3125	0.88	5/16"-24	1.12
26.653.56.250	SBT40 x SLN3/8" - 2.5"	5.075	2.5	0.75	-	1.535	1.24	0.375	1.25	3/8"-24	1.15
26.653.56.400	SBT40 x SLN3/8" - 4"	6.575	4	0.75	-	1.535	2.74	0.375	1	3/8"-24	1.07
26.653.57.250	SBT40 x SLN7/16" - 2.5"	5.075	2.5	0.812	-	1.535	1.24	0.4375	1.13	7/16"-20	1.10
26.653.58.250	SBT40 x SLN1/2" - 2.5"	5.075	2.5	0.875	-	1.732	1.319	0.5	1.25	7/16"-20	1.30
26.653.58.400	SBT40 x SLN1/2" - 4"	6.575	4	0.875	-	1.732	2.74	0.5	1.25	7/16"-20	1.18
26.653.61.250	SBT40 x SLN5/8" - 2.5"	5.075	2.5	0.94	-	1.85	1.319	0.625	1.5	1/2"-20	1.45
26.653.61.400	SBT40 x SLN5/8" - 4"	6.575	4	0.937	-	1.85	2.74	0.625	1.5	1/2"-20	1.23
26.653.64.250	SBT40 x SLN3/4" - 2.5"	5.075	2.5	1	-	1.929	1.319	0.75	1.75	5/8"-18	1.37
26.653.64.300	SBT40 x SLN3/4" - 3"	5.575	3	1	-	1.929	1.819	0.75	1.75	5/8"-18	1.65
26.653.64.400	SBT40 x SLN3/4" - 4"	6.575	4	1	-	1.929	2.819	0.75	1.75	5/8"-18	1.95
26.653.66.500	SBT40 x SLN7/8" - 5"	7.575	5	1.06	0.875	2.362	3.74	0.875	1.88	5/8"-18	1.59
26.653.68.356	SBT40 x SLN1" - 3.563"	6.137	3.563	1.046	1	2.559	2.421	1	2	3/4"-16	1.77
26.653.68.500	SBT40 x SLN1" - 5"	7.575	5	1.046	1	2.559	3.858	1	2	3/4"-16	1.93
26.653.72.356	SBT40 x SLN1-1/4" - 3.563"	6.137	3.563	1.125	1	2.559	2.539	1.25	2.5	3/4"-16	1.74
26.653.77.356	SBT40 x SLN1-1/2" - 3.563"	6.137	3.563	1.125	1	2.559	2.539	1.5	2.5	3/4"-16	3.62

Features:

- ▶ Internal hole tolerance: H5 (DIN-1835-B standard).
- ▶ The tolerance requirement of tool shank diameter is h6.

Product information:

- ▶ The pre-balance reaches G6.3 8,000 rpm. Higher balancing grade and revolution can be done upon request but additional charge is needed.
- ▶ AD+B type is available, please inform us when making an order.

Standard Accessory: • LOCK SCREW

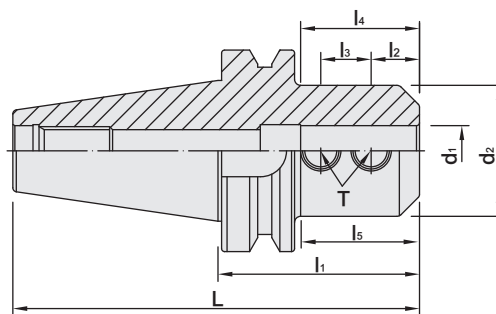
Pull Stud	Lock Screw
	
P.W-60~61	P.W-90



SBT / SLN SIDE LOCK END MILL HOLDER

Dual
DRIVE+

SBT / SLN 法蘭加厚型側固式立銑刀柄



INCHES

MODEL NO.	TYPE	L	l ₁	l ₂	l ₃	l ₄	l ₅	d ₁	d ₂	T	WEIGHT (KGS)
27.653.54.300	SBT50 x SLN1/4" - 3"	7	3	0.63	-	1.378	1.11	0.25	0.78	1/4"-28	3.62
27.653.56.275	SBT50 x SLN3/8" - 2.75"	6.758	2.75	0.75	-	1.535	1.057	0.375	1	3/8"-24	3.61
27.653.58.300	SBT50 x SLN1/2" - 3"	7	3	0.875	-	1.732	1.386	0.5	1.25	7/16"-20	3.68
27.653.61.300	SBT50 x SLN5/8" - 3"	7	3	0.94	-	1.85	1.386	0.625	1.5	1/2"-20	3.77
27.653.64.300	SBT50 x SLN3/4" - 3"	7	3	1	-	1.929	1.386	0.75	1.75	5/8"-18	3.84
27.653.68.450	SBT50 x SLN1" - 4.5"	8.508	4.5	1.12	1	2.559	2.886	1	2	3/4"-16	4.27
27.653.68.600	SBT50 x SLN1" - 6"	10	6	1.125	1	2.559	4.11	1	2	3/4"-16	4.78
27.653.72.450	SBT50 x SLN1-1/4" - 4.5"	8.508	4.5	1.12	1	2.559	2.886	1.25	2.5	3/4"-16	4.65
27.653.77.400	SBT50 x SLN1-1/2" - 4"	8	4	1.12	1	2.559	2.504	1.5	2.5	3/4"-16	4.17

Features:

- ▶ Internal hole tolerance: H5 (DIN-1835-B standard).
- ▶ The tolerance requirement of tool shank diameter is h6.

Product information:

- ▶ The pre-balance reaches G6.3 8,000 rpm. Higher balancing grade and revolution can be done upon request but additional charge is needed.
- ▶ AD+B type is available, please inform us when making an order.

Standard Accessory: • LOCK SCREW

Pull Stud

Lock Screw



P.W-60~61

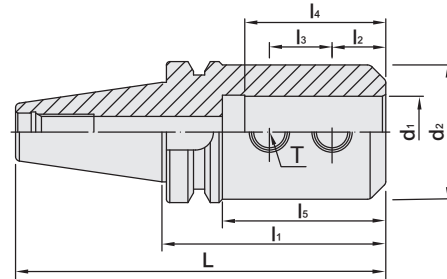
P.W-90

SBT / SLN SIDE LOCK END MILL HOLDER

JIS TYPE



SBT / SLN 法蘭加厚型側固式立銑刀柄 [JIS 型]



MODEL NO.	TYPE	L	l ₁	l ₂	l ₃	l ₄	l ₅	d ₁	d ₂	T	WEIGHT (KGS)
26.654.06.075	SBT40 x SLN6 - 75JIS	140.4	75	12	10	35	45	6	25	M6 x 1.0P	1.20
26.654.08.075	SBT40 x SLN8 - 75JIS	140.4	75	14	12	35	45	8	28	M8 x 1.25P	1.20
26.654.10.075	SBT40 x SLN10 - 75JIS	140.4	75	15	14	39	45	10	35	M10 x 1.5P	1.40
26.654.12.075	SBT40 x SLN12 - 75JIS	140.4	75	20	16	44	45	12	42	M10 x 1.5P	1.50
26.654.16.075	SBT40 x SLN16 - 75JIS	140.4	75	22	18	47	45	16	48	M10 x 1.5P	1.60
26.654.20.090	SBT40 x SLN20 - 90JIS	155.4	90	25	20	55	60	20	50	M12 x 1.75P	1.75
26.654.25.090	SBT40 x SLN25 - 90JIS	155.4	90	24	25	58	60	25	50	M12 x 1.75P	1.70
26.654.32.100	SBT40 x SLN32 - 100JIS	165.4	100	24	28	63	73	32	60	M16 x 2.0P	2.10
27.654.06.075	SBT50 x SLN6 - 75JIS	176.8	75	12	10	35	27	6	25	M6 x 1.0P	3.90
27.654.08.075	SBT50 x SLN8 - 75JIS	176.8	75	14	12	35	27	8	28	M8 x 1.25P	3.90
27.654.10.075	SBT50 x SLN10 - 75JIS	176.8	75	15	14	39	32	10	35	M10 x 1.5P	3.90
27.654.12.090	SBT50 x SLN12 - 90JIS	191.8	90	20	16	44	42	12	42	M10 x 1.5P	3.90
27.654.16.090	SBT50 x SLN16 - 90JIS	191.8	90	22	18	47	42	16	48	M10 x 1.5P	3.90
27.654.20.090	SBT50 x SLN20 - 90JIS	191.8	90	25	20	55	49	20	50	M12 x 1.75P	4.50
27.654.25.100	SBT50 x SLN25 - 100JIS	201.8	100	24	25	58	59	25	50	M12 x 1.75P	4.58
27.654.32.105	SBT50 x SLN32 - 105JIS	206.8	105	24	28	63	64	32	60	M16 x 2.0P	4.89

Features:

- ▶ Internal hole tolerance is H5.
- ▶ With two side-lock screws.
- ▶ For center coolant (DIN 69871-AD).

Product information:

- ▶ The pre-balance reaches G6.3 8,000 rpm. Higher balancing grade and revolution can be done upon request but additional charge is needed.
- ▶ AD+B type is available, please inform us when making an order.

Standard Accessory: • LOCK SCREW

Pull Stud	Lock Screw
	
P.W-60~61	P.W-90



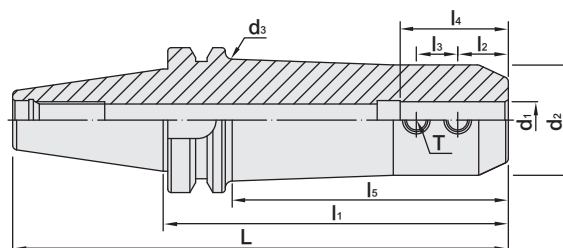
SBT / SLN SIDE LOCK END MILL HOLDER

JIS TYPE

SBT

Dual
DRIVE+

SBT / SLN 法蘭加厚型側固式立銑刀柄 [JIS 型]



MODEL NO.	TYPE	L	l ₁	l ₂	l ₃	l ₄	l ₅	d ₁	d ₂	d ₃	T	WEIGHT (KGS)
26.654.06.150	SBT40 x SLN6 - 150JIS	215.4	150	12	10	35	113	6	25	30	M6 x 1.0P	1.50
26.654.08.150	SBT40 x SLN8 - 150JIS	215.4	150	14	12	35	113	8	28	33	M8 x 1.25P	1.50
26.654.10.150	SBT40 x SLN10 - 150JIS	215.4	150	15	14	39	118	10	35	40	M10 x 1.5P	1.50
26.654.12.150	SBT40 x SLN12 - 150JIS	215.4	150	20	16	44	118	12	42	47	M10 x 1.5P	1.70
26.654.16.150	SBT40 x SLN16 - 150JIS	215.4	150	22	18	47	120	16	48	53	M10 x 1.5P	1.70
26.654.20.150	SBT40 x SLN20 - 150JIS	215.4	150	25	20	55	120	20	52	57	M12 x 1.75P	1.80
27.654.12.165	SBT50 x SLN12 - 165JIS	266.8	165	20	16	44	124	12	42	47	M10 x 1.5P	5.00
27.654.16.165	SBT50 x SLN16 - 165JIS	266.8	165	22	18	47	117	16	48	53	M10 x 1.5P	5.00
27.654.20.165	SBT50 x SLN20 - 165JIS	266.8	165	25	20	55	117	20	50	57	M12 x 1.75P	6.00
27.654.20.210	SBT50 x SLN20 - 210JIS	311.8	210	25	20	55	162	20	50	57	M12 x 1.75P	7.00
27.654.25.165	SBT50 x SLN25 - 165JIS	266.8	165	24	25	58	117	25	50	57	M12 x 1.75P	5.50
27.654.25.210	SBT50 x SLN25 - 210JIS	311.8	210	24	25	58	162	25	50	57	M12 x 1.75P	6.00
27.654.25.250	SBT50 x SLN25 - 250JIS	351.8	250	24	25	58	202	25	50	57	M12 x 1.75P	7.00
27.654.32.165	SBT50 x SLN32 - 165JIS	266.8	165	24	28	63	117	32	60	65	M16 x 2.0P	6.22
27.654.32.210	SBT50 x SLN32 - 210JIS	311.8	210	24	28	63	162	32	60	65	M16 x 2.0P	6.34
27.654.32.250	SBT50 x SLN32 - 250JIS	351.8	250	24	28	63	202	32	60	65	M16 x 2.0P	7.50
27.654.32.300	SBT50 x SLN32 - 300JIS	401.8	300	24	28	63	252	32	60	65	M16 x 2.0P	8.00

Features:

- ▶ Internal hole tolerance is H5.
- ▶ With two side-lock screws.
- ▶ For center coolant (DIN 69871-AD).

Product information:

- ▶ The pre-balance reaches G6.3 8,000 rpm. Higher balancing grade and revolution can be done upon request but additional charge is needed.
- ▶ AD+B type is available, please inform us when making an order.

Standard Accessory: • LOCK SCREW

Pull Stud

Lock Screw



P.W-60~61

P.W-90

SBT FACE MILL ARBOR

FMA TYPE



SBT / FMA 法蘭加厚型平面銑刀柄



Fig.1

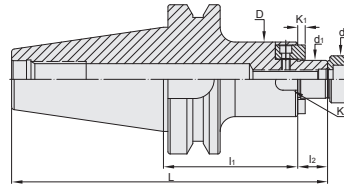
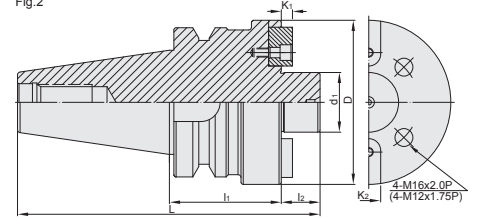


Fig.2



INCHES

MODEL NO.	TYPE	L	l ₁	l ₂	D	d ₁	d ₂	K ₁	K ₂	Fig	WEIGHT (KGS)
25.151.68.045	SBT30 x FMA25.4 - 45	113.4	45	20	50	25.4	31.5	4.52	9.52	1	1.10
25.151.68.060	SBT30 x FMA25.4 - 60	128.4	60	20	50	25.4	31.5	4.52	9.52	1	1.30
25.151.72.045	SBT30 x FMA31.75 - 45	115.4	45	22	60	31.75	41	6.7	12.7	1	1.16
26.151.68.045	SBT40 x FMA25.4 - 45	130.4	45	20	50	25.4	31.5	4.52	9.52	1	1.80
26.151.68.060	SBT40 x FMA25.4 - 60	145.4	60	20	50	25.4	31.5	4.52	9.52	1	1.45
26.151.68.090	SBT40 x FMA25.4 - 90	175.4	90	20	50	25.4	31.5	4.52	9.52	1	2.10
26.151.68.105	SBT40 x FMA25.4 - 105	190.4	105	20	50	25.4	31.5	4.52	9.52	1	2.70
26.151.68.150	SBT40 x FMA25.4 - 150	235.4	150	20	50	25.4	31.5	4.52	9.52	1	3.00
26.151.72.045	SBT40 x FMA31.75 - 45	132.4	45	22	60	31.75	41	6.7	12.7	1	1.70
26.151.72.075	SBT40 x FMA31.75 - 75	162.4	75	22	60	31.75	41	6.7	12.7	1	2.70
26.151.72.090	SBT40 x FMA31.75 - 90	177.4	90	22	60	31.75	41	6.7	12.7	1	2.65
26.151.77.060	SBT40 x FMA38.1 - 60	150.4	60	25	75	38.1	44.5	8.87	15.87	1	2.25
26.151.77.150	SBT40 x FMA38.1 - 150	240.4	150	25	75	38.1	44.5	8.87	15.87	1	2.85
26.151.86.060	SBT40 x FMA50.8 - 60	161.4	60	36	98	50.8	65	9.75	19.05	1	2.25
27.151.68.045	SBT50 x FMA25.4 - 45	166.8	45	20	50	25.4	31.5	4.52	9.52	1	4.40
27.151.68.090	SBT50 x FMA25.4 - 90	211.8	90	20	50	25.4	31.5	4.52	9.52	1	5.10
27.151.68.150	SBT50 x FMA25.4 - 150	271.8	150	20	50	25.4	31.5	4.52	9.52	1	6.10
27.151.72.045	SBT50 x FMA31.75 - 45	168.8	45	22	60	31.75	41	6.2	12.7	1	4.50
27.151.72.075	SBT50 x FMA31.75 - 75	198.8	75	22	60	31.75	41	6.7	12.7	1	5.70
27.151.72.105	SBT50 x FMA31.75 - 105	228.8	105	22	60	31.75	41	6.7	12.7	1	5.70
27.151.77.045	SBT50 x FMA38.1 - 45	171.8	45	25	80	38.1	44.5	8.87	15.87	1	5.20
27.151.77.075	SBT50 x FMA38.1 - 75	201.8	75	25	80	38.1	44.5	8.87	15.87	1	6.00
27.151.86.045	SBT50 x FMA50.8 - 45	182.8	45	36	98	50.8	65	9.75	19.05	1	5.70
27.151.86.075	SBT50 x FMA50.8 - 75	212.8	75	36	98	50.8	65	9.75	19.05	1	6.80
27.151.84.075	SBT50 x FMA47.62 - 75	208.8	75	32	128.75	47.62	-	12.5	25.4	2	7.90

Features:

- ▶ d1 tolerance: h6.

Product information:

- ▶ The pre-balance reaches G6.3 3,000 rpm. Higher balancing grade and revolution can be done upon request but additional charge is needed.
- ▶ AD+B type is available, please inform us when making an order.
- ▶ SBT30 tool holders are without coolant supply over collars.

Pull Stud	Screw
P.W-60~61	P.W-90

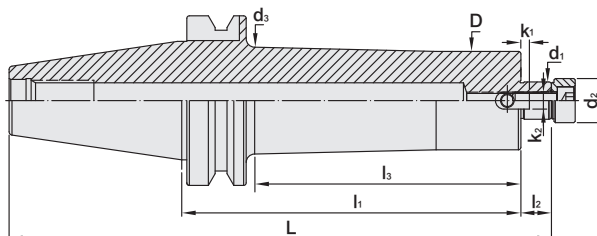


SBT FACE MILL ARBOR

EXTENSION TYPE

Dual
DRIVE+

SBT / FMA 法蘭加厚型平面銑刀柄 [加長斜度柄]



INCHES

MODEL NO.	TYPE	L	l ₁	l ₂	l ₃	D	d ₁	d ₂	d ₃	K ₁	K ₂	WEIGHT (KGS)
27.152.68.125	SBT50 x FMA25.4 - 125BG	246.8	125	20	79	48	25.4	31.5	60	4.25	9.52	5.30
27.152.68.150	SBT50 x FMA25.4 - 150BG	271.8	150	20	102	48	25.4	31.5	60	4.25	9.52	6.40
27.152.68.200	SBT50 x FMA25.4 - 200BG	321.8	200	20	152	58	25.4	31.5	63	4.25	9.52	7.50
27.152.68.250	SBT50 x FMA25.4 - 250BG	371.8	250	20	202	58	25.4	31.5	63	4.25	9.52	8.60
27.152.68.300	SBT50 x FMA25.4 - 300BG	421.8	300	20	252	58	25.4	31.5	63	4.25	9.52	9.70
27.152.68.350	SBT50 x FMA25.4 - 350BG	471.8	350	20	302	58	25.4	31.5	66	4.25	9.52	10.8
27.152.68.400	SBT50 x FMA25.4 - 400BG	521.8	400	20	352	58	25.4	31.5	66	4.25	9.52	11.9
27.152.72.125	SBT50 x FMA31.75 - 125BG	248.8	125	22	82	70	31.75	41	75	6.7	12.7	5.60
27.152.72.150	SBT50 x FMA31.75 - 150BG	273.8	150	22	107	70	31.75	41	75	6.7	12.7	6.30
27.152.72.175	SBT50 x FMA31.75 - 175BG	298.8	175	22	132	70	31.75	41	75	6.7	12.7	8.30
27.152.72.200	SBT50 x FMA31.75 - 200BG	323.8	200	22	157	70	31.75	41	75	6.7	12.7	9.10
27.152.72.250	SBT50 x FMA31.75 - 250BG	373.8	250	22	207	70	31.75	41	75	6.7	12.7	10.6
27.152.72.300	SBT50 x FMA31.75 - 300BG	423.8	300	22	252	70	31.75	41	75	6.7	12.7	12.1
27.152.72.350	SBT50 x FMA31.75 - 350BG	473.8	350	22	302	70	31.75	41	75	6.7	12.7	13.6

Features:

- ▶ d1 tolerance: h6.

Product information:

- ▶ The pre-balance reaches G6.3 3,000 rpm. Higher balancing grade and revolution can be done upon request but additional charge is needed.
- ▶ AD+B type is available, please inform us when making an order.

Pull Stud

Screw



P.W-60~61

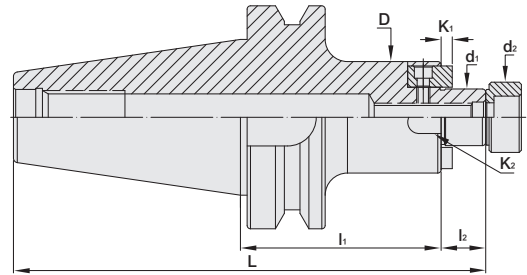
P.W-90

SBT FACE MILL ARBOR

FMB TYPE



SBT / FMB 法蘭加厚型平面銑刀柄





MODEL NO.	TYPE	L	l ₁	l ₂	D	d ₁	d ₂	K ₁	K ₂	WEIGHT (KGS)
25.153.22.045	SBT30 x FMB22 - 45	112.4	45	19	48	22	26	4.8	10	0.85
25.153.22.060	SBT30 x FMB22 - 60	127.4	60	19	48	22	26	4.8	10	1.02
25.153.27.045	SBT30 x FMB27 - 45	113.4	45	20	60	27	31.5	5.8	12	1.06
25.153.27.060	SBT30 x FMB27 - 60	128.4	60	20	60	27	31.5	5.8	12	1.35
25.153.32.045	SBT30 x FMB32 - 45	115.4	45	22	78	32	41	6.8	14	1.35
26.153.22.045	SBT40 x FMB22 - 45	129.4	45	19	48	22	26	4.8	10	1.45
26.153.22.060	SBT40 x FMB22 - 60	144.4	60	19	48	22	26	4.8	10	1.54
26.153.22.100	SBT40 x FMB22 - 100	184.4	100	19	48	22	26	4.8	10	2.10
26.153.27.045	SBT40 x FMB27 - 45	130.4	45	20	60	27	31.5	5.8	12	1.60
26.153.27.060	SBT40 x FMB27 - 60	145.4	60	20	60	27	31.5	5.8	12	2.00
26.153.27.090	SBT40 x FMB27 - 90	175.4	90	20	60	27	31.5	5.8	12	2.30
26.153.27.105	SBT40 x FMB27 - 105	190.4	105	20	60	27	31.5	5.8	12	2.10
26.153.32.045	SBT40 x FMB32 - 45	132.4	45	22	78	32	41	6.8	14	2.00
26.153.32.060	SBT40 x FMB32 - 60	147.4	60	22	78	32	41	6.8	14	2.35
26.153.40.060	SBT40 x FMB40 - 60	150.4	60	25	80	40	48	8.3	16	2.80
26.153.40.075	SBT40 x FMB40 - 75	165.4	75	25	80	40	48	8.3	16	2.97
26.153.40.105	SBT40 x FMB40 - 105	195.4	105	25	80	40	48	8.3	16	3.27

Features:

- ▶ d1 tolerance: h6.

Product information:

- ▶ The pre-balance reaches G6.3 3,000 rpm. Higher balancing grade and revolution can be done upon request but additional charge is needed.
- ▶ AD+B type is available, please inform us when making an order.
- ▶ SBT30 tool holders are without coolant supply over collars.

Pull Stud	Screw
	
P.W-60~61	P.W-90

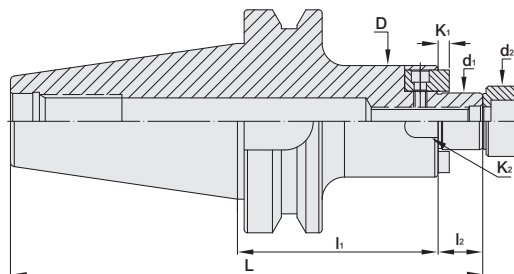


SBT FACE MILL ARBOR

FMB TYPE

Dual
DRIVE+

SBT / FMB 法蘭加厚型平面銑刀柄



MODEL NO.	TYPE	L	l ₁	l ₂	D	d ₁	d ₂	K ₁	K ₂	WEIGHT (KGS)
27.153.22.045	SBT50 x FMB22 - 45	165.8	45	19	48	22	26	4.8	10	4.75
27.153.22.090	SBT50 x FMB22 - 90	210.8	90	19	48	22	26	4.8	10	5.10
27.153.22.150	SBT50 x FMB22 - 150	270.8	150	19	48	22	26	4.8	10	6.80
27.153.27.050	SBT50 x FMB27 - 50	171.8	50	20	60	27	31.5	5.8	12	4.30
27.153.27.090	SBT50 x FMB27 - 90	211.8	90	20	60	27	31.5	5.8	12	5.40
27.153.27.150	SBT50 x FMB27 - 150	271.8	150	20	60	27	31.5	5.8	12	6.50
27.153.27.200	SBT50 x FMB27 - 200	321.8	200	20	60	27	31.5	5.8	12	7.50
27.153.27.250	SBT50 x FMB27 - 250	371.8	250	20	60	27	31.5	5.8	12	8.50
27.153.32.050	SBT50 x FMB32 - 50	173.8	50	22	78	32	41	6.8	14	4.60
27.153.32.090	SBT50 x FMB32 - 90	213.8	90	22	78	32	41	6.8	14	5.80
27.153.40.050	SBT50 x FMB40 - 50	176.8	50	25	89	40	48	8.3	16	5.20
27.153.40.090	SBT50 x FMB40 - 90	216.8	90	25	89	40	48	8.3	16	6.00
27.153.40.105	SBT50 x FMB40 - 105	231.8	105	25	89	40	48	8.3	16	7.20
27.153.40.150	SBT50 x FMB40 - 150	276.8	150	25	89	40	48	8.3	16	7.90

Features:

- ▶ d1 tolerance: h6.

Product information:

- ▶ The pre-balance reaches G6.3 3,000 rpm. Higher balancing grade and revolution can be done upon request but additional charge is needed.
- ▶ AD+B type is available, please inform us when making an order.

Pull Stud

Screw



P.W-60~61

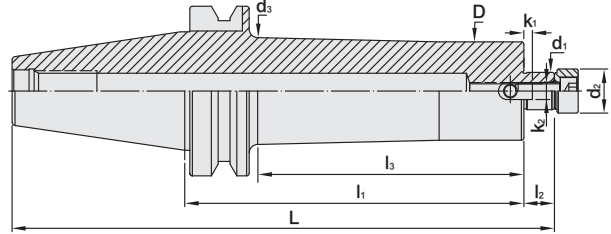
P.W-90

SBT FACE MILL ARBOR

EXTENSION TYPE



SBT / FMB 法蘭加厚型平面銑刀柄 [加長斜度柄]





MODEL NO.	TYPE	L	l ₁	l ₂	l ₃	D	d ₁	d ₂	d ₃	K ₁	K ₂	WEIGHT (KGS)
26.154.22.150	SBT40 x FMB22 - 150BG	234.4	150	19	118	48	22	26	51	4.8	10	3.10
26.154.22.200	SBT40 x FMB22 - 200BG	284.4	200	19	168	48	22	26	51	4.8	10	4.00
26.154.22.250	SBT40 x FMB22 - 250BG	334.4	250	19	218	48	22	26	51	4.8	10	4.90
27.154.22.150	SBT50 x FMB22 - 150BG	270.8	150	19	107	58	22	26	62.5	4.8	10	6.80
27.154.22.200	SBT50 x FMB22 - 200BG	320.8	200	19	157	58	22	26	62.5	4.8	10	8.40
27.154.22.250	SBT50 x FMB22 - 250BG	370.8	250	19	207	58	22	26	62.5	4.8	10	9.40
27.154.22.300	SBT50 x FMB22 - 300BG	420.8	300	19	257	58	22	26	62.5	4.8	10	10.4
27.154.22.350	SBT50 x FMB22 - 350BG	470.8	350	19	307	58	22	26	62.5	4.8	10	11.4
27.154.22.400	SBT50 x FMB22 - 400BG	520.8	400	19	352	58	22	26	62.5	4.8	10	12.4
27.154.22.450	SBT50 x FMB22 - 450BG	570.8	450	19	402	58	22	26	62.5	4.8	10	13.4
27.154.22.500	SBT50 x FMB22 - 500BG	620.8	500	19	452	58	22	26	62.5	4.8	10	14.4
27.154.27.150	SBT50 x FMB27 - 150BG	271.8	150	20	107	70	27	31.5	78	5.8	12	6.80
27.154.27.200	SBT50 x FMB27 - 200BG	321.8	200	20	154	70	27	31.5	78	5.8	12	8.40
27.154.27.250	SBT50 x FMB27 - 250BG	371.8	250	20	204	70	27	31.5	78	5.8	12	9.40
27.154.27.300	SBT50 x FMB27 - 300BG	421.8	300	20	254	70	27	31.5	78	5.8	12	10.4
27.154.27.350	SBT50 x FMB27 - 350BG	471.8	350	20	307	70	27	31.5	78	5.8	12	11.4
27.154.27.400	SBT50 x FMB27 - 400BG	521.8	400	20	352	70	27	31.5	78	5.8	12	12.4
27.154.27.450	SBT50 x FMB27 - 450BG	571.8	450	20	402	70	27	31.5	78	5.8	12	13.4
27.154.27.500	SBT50 x FMB27 - 500BG	621.8	500	20	452	70	27	31.5	78	5.8	12	14.4
27.154.32.150	SBT50 x FMB32 - 150BG	273.8	150	22	107	78	32	41	85	6.8	14	7.00
27.154.32.200	SBT50 x FMB32 - 200BG	323.8	200	22	157	78	32	41	85	6.8	14	8.50
27.154.32.250	SBT50 x FMB32 - 250BG	373.8	250	22	207	78	32	41	85	6.8	14	9.50
27.154.32.300	SBT50 x FMB32 - 300BG	423.8	300	22	257	78	32	41	85	6.8	14	10.5
27.154.32.350	SBT50 x FMB32 - 350BG	473.8	350	22	307	78	32	41	85	6.8	14	11.5
27.154.32.400	SBT50 x FMB32 - 400BG	523.8	400	22	357	78	32	41	85	6.8	14	12.5
27.154.32.450	SBT50 x FMB32 - 450BG	573.8	450	22	407	78	32	41	85	6.8	14	13.5
27.154.32.500	SBT50 x FMB32 - 500BG	623.8	500	22	460	80	32	41	85	6.8	14	14.5

Features:

- ▶ d1 tolerance: h6.

Product information:

- ▶ The pre-balance reaches G6.3 3,000 rpm. Higher balancing grade and revolution can be done upon request but additional charge is needed.
- ▶ AD+B type is available, please inform us when making an order.

Pull Stud	Screw
	
P.W-60~61	P.W-90

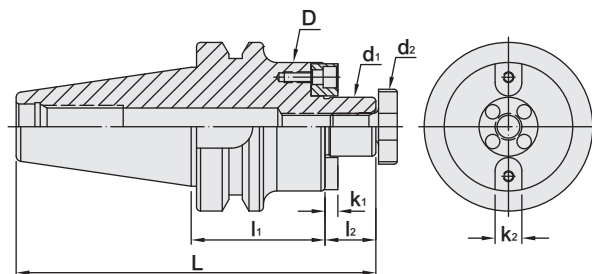


SBT FACE MILL ARBOR

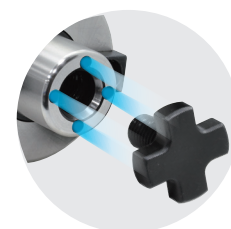
FMC TYPE

Dual
DRIVE+

SBT / FMC 法蘭加厚型平面銑刀柄



MODEL NO.	TYPE	L	l ₁	l ₂	D	d ₁	d ₂	K ₁	K ₂	WEIGHT (KGS)
25.157.16.035	SBT30 x FMC16 - 35	100.4	35	17	40	16	20	5	8	0.72
25.157.22.040	SBT30 x FMC22 - 40	107.4	40	19	45	22	28	4.8	10	0.80
25.157.27.040	SBT30 x FMC27 - 40	109.4	40	21	60	27	35	5.8	12	1.06
26.157.16.045	SBT40 x FMC16 - 45	127.4	45	17	38	16	20	5	8	1.20
26.157.22.045	SBT40 x FMC22 - 45	129.4	45	19	50	22	28	4.8	10	1.34
26.157.27.045	SBT40 x FMC27 - 45	131.4	45	21	60	27	35	5.8	12	1.56
26.157.32.050	SBT40 x FMC32 - 50	139.4	50	24	78	32	42	6.8	14	1.96
27.157.16.050	SBT50 x FMC16 - 50	168.8	50	17	40	16	20	5	8	4.00
27.157.22.060	SBT50 x FMC22 - 60	180.8	60	19	50	22	28	4.8	10	4.10
27.157.27.060	SBT50 x FMC27 - 60	182.8	60	21	60	27	35	5.8	12	4.30
27.157.32.060	SBT50 x FMC32 - 60	185.8	60	24	78	32	42	6.8	14	4.60
27.157.40.070	SBT50 x FMC40 - 70	198.8	70	27	89	40	52	8.3	16	5.20

**Features:**

- ▶ d1 tolerance: h6.

Product information:

- ▶ The pre-balance reaches G6.3 3,000 rpm. Higher balancing grade and revolution can be done upon request but additional charge is needed.
- ▶ AD+B type is available, please inform us when making an order.
- ▶ SBT30 tool holders are without coolant supply over collars.

Standard Accessory: • NUT • SPANNER

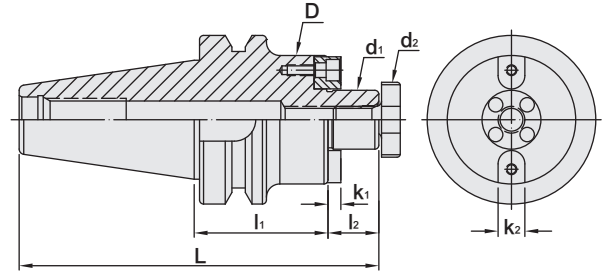
Nut	Pull Stud	Spanner
P.W-67	P.W-60~61	P.W-67

SBT FACE MILL ARBOR

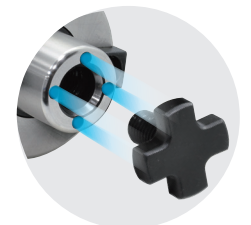
FMC TYPE

Dual
DRIVE+

SBT / FMC 法蘭加厚型平面銑刀柄



MODEL NO.	TYPE	L	l ₁	l ₂	D	d ₁	d ₂	K ₁	K ₂	WEIGHT (KGS)
26.157.66.045	SBT40 x FMC22.225 - 45	127.4	45	17	47	22.225	28	3.5	8	1.50
26.157.66.060	SBT40 x FMC22.225 - 60	142.4	60	17	47	22.225	28	3.5	8	1.80
26.157.66.090	SBT40 x FMC22.225 - 90	172.4	90	17	47	22.225	28	3.5	8	2.50
26.157.68.060	SBT40 x FMC25.4 - 60	147.4	60	22	70	25.4	35	5	9.525	2.00
26.157.68.090	SBT40 x FMC25.4 - 90	177.4	90	22	70	25.4	35	5	9.525	2.70
26.157.68.105	SBT40 x FMC25.4 - 105	192.4	105	22	70	25.4	35	5	9.525	3.40
26.157.72.060	SBT40 x FMC31.75 - 60	155.4	60	30	76	31.75	42	7	12.7	2.50
26.157.72.090	SBT40 x FMC31.75 - 90	185.4	90	30	76	31.75	42	7	12.7	3.20
27.157.66.090	SBT50 x FMC22.225 - 90	208.8	90	17	47	22.225	28	3.5	8	4.40
27.157.66.105	SBT50 x FMC22.225 - 105	223.8	105	17	47	22.225	28	3.5	8	4.70
27.157.66.150	SBT50 x FMC22.225 - 150	268.8	150	17	47	22.225	28	3.5	8	5.30
27.157.66.200	SBT50 x FMC22.225 - 200	318.8	200	17	47	22.225	28	3.5	8	6.00
27.157.66.250	SBT50 x FMC22.225 - 250	368.8	250	17	47	22.225	28	3.5	8	6.60
27.157.66.300	SBT50 x FMC22.225 - 300	418.8	300	17	47	22.225	28	3.5	8	7.70
27.157.66.350	SBT50 x FMC22.225 - 350	468.8	350	17	47	22.225	28	3.5	8	8.90
27.157.68.045	SBT50 x FMC25.4 - 45	168.8	45	22	70	25.4	35	5	9.525	4.00
27.157.68.060	SBT50 x FMC25.4 - 60	183.8	60	22	70	25.4	35	5	9.525	4.50
27.157.68.090	SBT50 x FMC25.4 - 90	213.8	90	22	70	25.4	35	5	9.525	5.40
27.157.68.150	SBT50 x FMC25.4 - 150	273.8	150	22	70	25.4	35	5	9.525	7.20
27.157.68.200	SBT50 x FMC25.4 - 200	323.8	200	22	70	25.4	35	5	9.525	8.70
27.157.68.250	SBT50 x FMC25.4 - 250	373.8	250	22	70	25.4	35	5	9.525	10.3
27.157.68.300	SBT50 x FMC25.4 - 300	423.8	300	22	70	25.4	35	5	9.525	11.8



Features:

- ▶ d1 tolerance: h6.

Product information:

- ▶ The pre-balance reaches G6.3 3,000 rpm. Higher balancing grade and revolution can be done upon request but additional charge is needed.
- ▶ AD+B type is available, please inform us when making an order.

Standard Accessory: • NUT • SPANNER

Nut	Pull Stud	Spanner
		
P.W-67	P.W-60~61	P.W-67

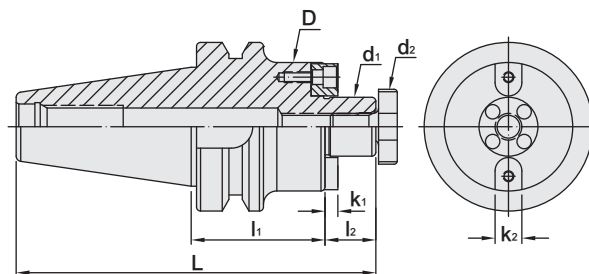


SBT FACE MILL ARBOR

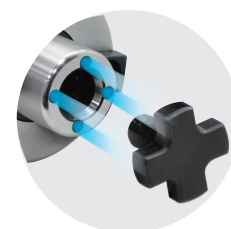
FMC TYPE

Dual
DRIVE+

SBT / FMC 法蘭加厚型平面銑刀柄



MODEL NO.	TYPE	L	l ₁	l ₂	D	d ₁	d ₂	K ₁	K ₂	WEIGHT (KGS)
27.157.72.045	SBT50 x FMC31.75 - 45	176.8	45	30	76	31.75	42	7	12.7	4.10
27.157.72.075	SBT50 x FMC31.75 - 75	206.8	75	30	76	31.75	42	7	12.7	5.20
27.157.72.105	SBT50 x FMC31.75 - 105	236.8	105	30	76	31.75	42	7	12.7	6.30
27.157.72.150	SBT50 x FMC31.75 - 150	281.8	150	30	76	31.75	42	7	12.7	7.90
27.157.72.200	SBT50 x FMC31.75 - 200	331.8	200	30	76	31.75	42	7	12.7	9.70
27.157.72.250	SBT50 x FMC31.75 - 250	381.8	250	30	76	31.75	42	7	12.7	11.6
27.157.72.300	SBT50 x FMC31.75 - 300	431.8	300	30	76	31.75	42	7	12.7	13.4
27.157.77.045	SBT50 x FMC38.1 - 45	180.8	45	34	100	38.1	52	9	15.9	4.40
27.157.77.075	SBT50 x FMC38.1 - 75	210.8	75	34	100	38.1	52	9	15.9	6.30
27.157.77.105	SBT50 x FMC38.1 - 105	240.8	105	34	100	38.1	52	9	15.9	8.10
27.157.77.150	SBT50 x FMC38.1 - 150	285.8	150	34	100	38.1	52	9	15.9	10.9
27.157.77.200	SBT50 x FMC38.1 - 200	335.8	200	34	100	38.1	52	9	15.9	14.5
27.157.77.250	SBT50 x FMC38.1 - 250	385.8	250	34	100	38.1	52	9	15.9	17.5
27.157.77.300	SBT50 x FMC38.1 - 300	435.8	300	34	100	38.1	52	9	15.9	19.2

**Features:**

- ▶ d1 tolerance: h6.

Product information:

- ▶ The pre-balance reaches G6.3 3,000 rpm. Higher balancing grade and revolution can be done upon request but additional charge is needed.
- ▶ AD+B type is available, please inform us when making an order.

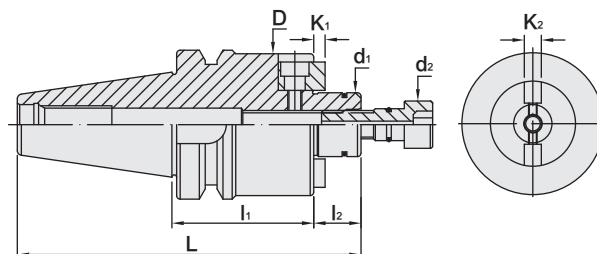
Standard Accessory: • NUT • SPANNER

Nut	Pull Stud	Spanner
		
P.W-67	P.W-60~61	P.W-67

SBT / SMA FACE MILL ARBOR

Dual
DRIVE+

SBT / SMA 法蘭加厚型平面銑刀柄



MODEL NO.	TYPE	L	l ₁	l ₂	D	d ₁	d ₂	K ₁	K ₂	WEIGHT (KGS)
26.660.22.090	SBT40 x SMA22 - 90	174.4	90	19	48	22	18	4.8	10	1.90
26.660.22.105	SBT40 x SMA22 - 105	189.4	105	19	48	22	18	4.8	10	1.10
26.660.22.135	SBT40 x SMA22 - 135	219.4	135	19	48	22	18	4.8	10	2.20
26.660.27.090	SBT40 x SMA27 - 90	175.4	90	20	60	27	20	5.8	12	2.00
26.660.27.105	SBT40 x SMA27 - 105	190.4	105	20	60	27	20	5.8	12	2.10
26.660.27.135	SBT40 x SMA27 - 135	220.4	135	20	60	27	20	5.8	12	2.20
26.660.32.090	SBT40 x SMA32 - 90	177.4	90	22	80	32	22	6.8	14	2.40
26.660.32.105	SBT40 x SMA32 - 105	192.4	105	22	80	32	22	6.8	14	2.50
26.660.32.135	SBT40 x SMA32 - 135	222.4	135	22	80	32	22	6.8	14	2.60
27.660.22.090	SBT50 x SMA22 - 90	210.8	90	19	48	22	18	4.8	10	4.80
27.660.22.105	SBT50 x SMA22 - 105	225.8	105	19	48	22	18	4.8	10	5.00
27.660.22.135	SBT50 x SMA22 - 135	255.8	135	19	48	22	18	4.8	10	5.10
27.660.27.090	SBT50 x SMA27 - 90	211.8	90	20	60	27	20	5.8	12	5.40
27.660.27.105	SBT50 x SMA27 - 105	226.8	105	20	60	27	20	5.8	12	5.50
27.660.27.135	SBT50 x SMA27 - 135	256.8	135	20	60	27	20	5.8	12	5.60
27.660.32.090	SBT50 x SMA32 - 90	213.8	90	22	80	32	22	6.8	14	5.80
27.660.32.105	SBT50 x SMA32 - 105	228.8	105	22	80	32	22	6.8	14	5.90
27.660.32.135	SBT50 x SMA32 - 135	258.8	135	22	80	32	22	6.8	14	6.00

Features:

- ▶ d₁ tolerance: h6.
- ▶ Suitable for SRM Shell Rough Fixation Mill.
- ▶ There is more than 80% contact area that can avoid vibration effectively.

Product information:

- ▶ The pre-balance reaches G6.3 3,000 rpm. Higher balancing grade and revolution can be done upon request but additional charge is needed.
- ▶ AD+B type is available, please inform us when making an order.

Pull Stud



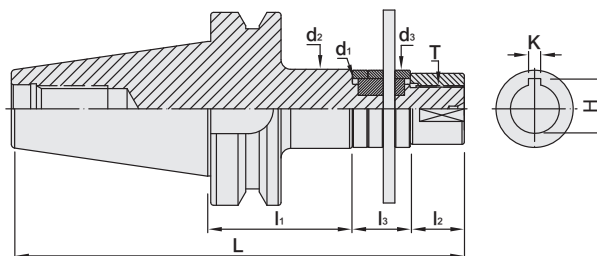
P.W-60~61



SBT SIDE CUTTER ADAPTER

Dual
DRIVE+

SBT / SCA 法蘭加厚型側銑刀柄



MODEL NO.	TYPE	L	l ₁	l ₂	l ₃	d ₁	d ₂	d ₃	K	H	T	WEIGHT (KGS)
25.649.10.060	SBT30 x SCA10 - 60	155.4	60	12	35	10	18	18	-	-	M8 x 1.25P	0.80
25.649.16.060	SBT30 x SCA16 - 60	154.4	60	16	30	16	26	26	4	17.7	M14 x 1.5P	1.00
25.649.22.060	SBT30 x SCA22 - 60	160.4	60	22	30	22	34	34	6	24.3	M20 x 1.5P	1.20
25.649.22.075	SBT30 x SCA22 - 75	175.4	75	22	30	22	34	34	6	24.3	M20 x 1.5P	1.40
26.649.16.060	SBT40 x SCA16 - 60	171.4	60	16	30	16	26	26	4	17.7	M14 x 1.5P	1.50
26.649.22.060	SBT40 x SCA22 - 60	177.4	60	22	30	22	34	34	6	24.3	M20 x 1.5P	1.60
26.649.22.075	SBT40 x SCA22 - 75	192.4	75	22	30	22	34	34	6	24.3	M20 x 1.5P	1.70
26.649.22.120	SBT40 x SCA22 - 120	237.4	120	22	30	22	34	34	6	24.3	M20 x 1.5P	2.00
26.649.27.075	SBT40 x SCA27 - 75	198.4	75	28	30	27	41	40	7	30	M24 x 1.5P	2.10
26.649.27.120	SBT40 x SCA27 - 120	243.4	120	28	30	27	41	40	7	30	M24 x 1.5P	2.50
26.649.32.090	SBT40 x SCA32 - 90	217.4	90	32	30	32	47	46	8	35.5	M30 x 1.5P	2.60
27.649.22.090	SBT50 x SCA22 - 90	243.8	90	22	30	22	34	34	6	24.3	M20 x 1.5P	4.40
27.649.22.135	SBT50 x SCA22 - 135	288.8	135	22	30	22	34	34	6	24.3	M20 x 1.5P	4.70
27.649.27.090	SBT50 x SCA27 - 90	249.8	90	28	30	27	41	40	7	30	M24 x 1.5P	4.60
27.649.27.135	SBT50 x SCA27 - 135	294.8	135	28	30	27	41	40	7	30	M24 x 1.5P	5.00
27.649.32.090	SBT50 x SCA32 - 90	253.8	90	32	30	32	47	46	8	35.5	M30 x 1.5P	4.70
27.649.32.135	SBT50 x SCA32 - 135	298.8	135	32	30	32	47	46	8	35.5	M30 x 1.5P	5.20
27.649.40.090	SBT50 x SCA40 - 90	261.8	90	40	30	40	55	55	10	43.7	M36 x 2.0P	5.00
27.649.40.135	SBT50 x SCA40 - 135	306.8	135	40	30	40	55	55	10	43.7	M36 x 2.0P	6.00

Product information:

- ▶ Nut standard: DIN-2082-I.
- ▶ Bush standard: DIN-2084-B.

Pull Stud

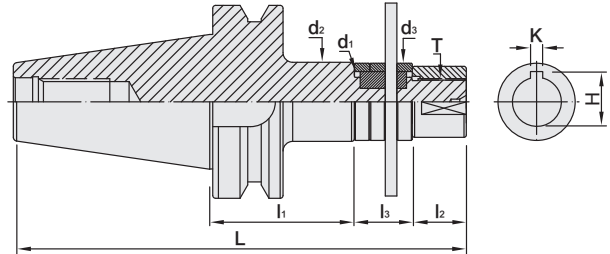
P.W-60~61



SBT SIDE CUTTER ADAPTER

Dual
DRIVE+

SBT / SCA 法蘭加厚型側銑刀柄



MODEL NO.	TYPE	L	l ₁	l ₂	l ₃	d ₁	d ₂	d ₃	K	H	T	WEIGHT (KGS)
26.649.66.075	SBT40 x SCA22.22 - 75	192.4	75	22	30	22.22	34	34	3.18	24.6	M20 x 1.5P	1.70
26.649.66.120	SBT40 x SCA22.22 - 120	237.4	120	22	30	22.22	34	34	3.18	24.6	M20 x 1.5P	2.00
26.649.68.075	SBT40 x SCA25.4 - 75	198.4	75	28	30	25.4	41	40	6.35	28.4	M24 x 1.5P	2.00
26.649.68.120	SBT40 x SCA25.4 - 120	243.4	120	28	30	25.4	41	40	6.35	28.4	M24 x 1.5P	2.40
26.649.72.090	SBT40 x SCA31.75 - 90	217.4	90	32	30	31.75	47	46	7.93	34.8	M30 x 1.5P	2.60
27.649.66.090	SBT50 x SCA22.22 - 90	243.8	90	22	30	22.22	34	34	3.18	24.6	M20 x 1.5P	4.40
27.649.66.135	SBT50 x SCA22.22 - 135	288.8	135	22	30	22.22	34	34	3.18	24.6	M20 x 1.5P	4.70
27.649.68.090	SBT50 x SCA25.4 - 90	249.8	90	28	30	25.4	41	40	6.35	28.4	M24 x 1.5P	4.50
27.649.68.135	SBT50 x SCA25.4 - 135	294.8	135	28	30	25.4	41	40	6.35	28.4	M24 x 1.5P	4.90
27.649.72.090	SBT50 x SCA31.75 - 90	253.8	90	32	30	31.75	47	46	7.93	34.8	M30 x 1.5P	4.70
27.649.72.135	SBT50 x SCA31.75 - 135	298.8	135	32	30	31.75	47	46	7.93	34.8	M30 x 1.5P	5.20
27.649.77.090	SBT50 x SCA38.1 - 90	261.8	90	40	30	38.1	55	55	9.525	42.4	M36 x 2.0P	4.90
27.649.77.135	SBT50 x SCA38.1 - 135	306.8	135	40	30	38.1	55	55	9.525	42.4	M36 x 2.0P	5.90

Product information:

- ▶ Nut standard: DIN-2082-I.
- ▶ Bush standard: DIN-2084-B.

Pull Stud



P.W-60~61



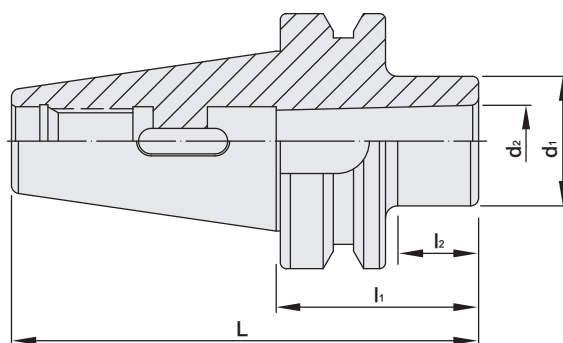
SBT MORSE TAPER ADAPTER

TANG TYPE

Dual
DRIVE+

SBT / MTA 法蘭加厚型斜柄鑽頭套筒

(DIN 228-B)



MODEL NO.	TYPE	L	l ₁	l ₂	d ₁	d ₂	WEIGHT (KGS)
25.465.01.045	SBT30 x MTA1 - 45	93.4	45	20	25	12.065	0.55
25.465.01.105	SBT30 x MTA1 - 105	153.4	105	78	25	12.065	0.80
25.465.02.060	SBT30 x MTA2 - 60	108.4	60	35	32	17.78	0.60
25.465.02.120	SBT30 x MTA2 - 120	168.4	120	95	32	17.78	0.90
25.465.03.080	SBT30 x MTA3 - 80	128.4	80	56	40	23.825	0.80
26.465.01.045	SBT40 x MTA1 - 45	110.4	45	15	25	12.065	1.05
26.465.01.120	SBT40 x MTA1 - 120	185.4	120	83	25	12.065	1.40
26.465.02.050	SBT40 x MTA2 - 50	115.4	50	20	32	17.78	1.10
26.465.02.120	SBT40 x MTA2 - 120	185.4	120	88	32	17.78	1.45
26.465.03.070	SBT40 x MTA3 - 70	135.4	70	38	40	23.825	1.20
26.465.03.135	SBT40 x MTA3 - 135	200.4	135	102	40	23.825	1.90
26.465.04.095	SBT40 x MTA4 - 95	160.4	95	63	48	31.267	1.40
26.465.04.165	SBT40 x MTA4 - 165	230.4	165	133	48	31.267	2.50
27.465.01.045	SBT50 x MTA1 - 45	146.8	45	2	25	12.065	3.80
27.465.01.120	SBT50 x MTA1 - 120	221.8	120	74	25	12.065	4.30
27.465.01.180	SBT50 x MTA1 - 180	281.8	180	132	25	12.065	5.00
27.465.02.060	SBT50 x MTA2 - 60	161.8	60	17	32	17.78	4.00
27.465.02.135	SBT50 x MTA2 - 135	236.8	135	89	32	17.78	4.70
27.465.02.180	SBT50 x MTA2 - 180	281.8	180	132	32	17.78	5.00
27.465.03.065	SBT50 x MTA3 - 65	166.8	65	22	40	23.825	3.90
27.465.03.150	SBT50 x MTA3 - 150	251.8	150	107	40	23.825	5.00
27.465.03.180	SBT50 x MTA3 - 180	281.8	180	132	40	23.825	5.50
27.465.04.095	SBT50 x MTA4 - 95	196.8	95	52	48	31.267	4.20
27.465.04.180	SBT50 x MTA4 - 180	281.8	180	132	48	31.267	5.50
27.465.05.105	SBT50 x MTA5 - 105	206.8	105	62	63	44.399	4.30

Features:

- ▶ High accurate working process. Even though using prolonged drill, the concentricity is still within 0.015mm.

Pull Stud

P.W-60~61



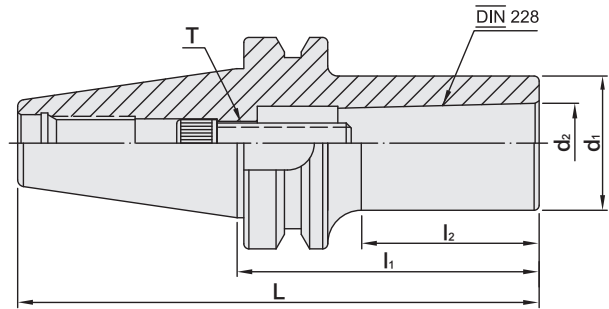
SBT MORSE TAPER ADAPTER

DRAW BAR TYPE



SBT / MTB 法蘭加厚型斜柄鑽頭套筒

(DIN 6364)



MODEL NO.	TYPE	L	l ₁	l ₂	d ₁	d ₂	T		WEIGHT (KGS)
25.466.01.045	SBT30 x MTB1 - 45	93.4	45	20	25	12.065	M6 x 1.0P	1/4" - 20	0.55
25.466.02.060	SBT30 x MTB2 - 60	108.4	60	36.5	32	17.78	M10 x 1.5P	3/8" - 16	0.60
26.466.01.045	SBT40 x MTB1 - 45	110.4	45	13	25	12.065	M6 x 1.0P	1/4" - 20	1.10
26.466.02.045	SBT40 x MTB2 - 45	110.4	45	13	32	17.78	M10 x 1.5P	3/8" - 16	1.10
26.466.02.185	SBT40 x MTB2 - 185	250.4	185	148	32	17.78	M10 x 1.5P	3/8" - 16	1.86
26.466.03.075	SBT40 x MTB3 - 75	140.4	75	45	40	23.825	M12 x 1.75P	1/2" - 12	1.30
26.466.03.090	SBT40 x MTB3 - 90	155.4	90	53	40	23.825	M12 x 1.75P	1/2" - 12	1.40
26.466.03.120	SBT40 x MTB3 - 120	185.4	120	83	40	23.825	M12 x 1.75P	1/2" - 12	1.80
26.466.03.180	SBT40 x MTB3 - 180	245.4	180	143	40	23.825	M12 x 1.75P	1/2" - 12	2.40
26.466.04.100	SBT40 x MTB4 - 100	165.4	100	67	48	31.267	M16 x 2.0P	5/8" - 11	1.60
26.466.04.120	SBT40 x MTB4 - 120	185.4	120	87	48	31.267	M16 x 2.0P	5/8" - 11	1.80
26.466.04.180	SBT40 x MTB4 - 180	245.4	180	147	48	31.267	M16 x 2.0P	5/8" - 11	2.60
27.466.01.045	SBT50 x MTB1 - 45	146.8	45	6	25	12.065	M6 x 1.0P	1/4" - 20	3.80
27.466.02.045	SBT50 x MTB2 - 45	146.8	45	5	32	17.78	M10 x 1.5P	3/8" - 16	3.90
27.466.03.060	SBT50 x MTB3 - 60	161.8	60	12	40	23.825	M12 x 1.75P	1/2" - 12	3.90
27.466.04.075	SBT50 x MTB4 - 75	176.8	75	32	48	31.267	M16 x 2.0P	5/8" - 11	4.20
27.466.05.120	SBT50 x MTB5 - 120	221.8	120	77	63	44.399	M24 x 3.0P	1" - 8	4.30

Features:

- ▶ High accurate working process. Even though using prolonged drill, the concentricity is still within 0.015mm.
- ▶ Please confirm if you'd like to order thread in metric or inch size when making an order.

Pull Stud



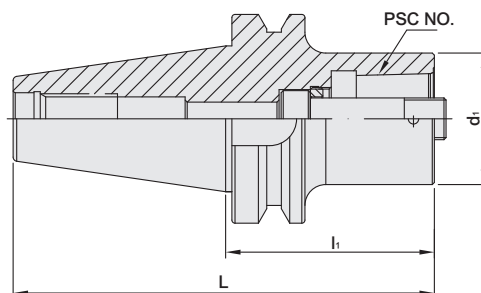
P.W-60~61



SBT ADAPTER

Dual
DRIVE+

SBT 法蘭加厚型套筒



MODEL NO.	TYPE	NO.	L	l ₁	d ₁	T	MAX. TORQUE		WEIGHT (KGS)
							Nm	ft-lbs	
26.501.32.030	SBT40 x PSC32 - 30	PSC32	95.4	30	32	M12 x 1.5P	45	33	1.70
26.501.40.030	SBT40 x PSC40 - 30	PSC40	95.4	30	40	M14 x 1.5P	55	40	1.70
26.501.50.030	SBT40 x PSC50 - 30	PSC50	95.4	30	50	M16 x 1.5P	95	70	1.70
26.501.63.075	SBT40 x PSC63 - 75	PSC63	140.4	75	63	M20 x 2.0P	170	125	1.90
26.501.80.135	SBT40 x PSC80 - 135	PSC80	200.4	135	80	M20 x 2.0P	170	125	3.78
27.501.32.040	SBT50 x PSC32 - 40	PSC32	141.8	40	32	M12 x 1.5P	45	33	4.80
27.501.40.040	SBT50 x PSC40 - 40	PSC40	141.8	40	40	M14 x 1.5P	55	40	4.80
27.501.50.040	SBT50 x PSC50 - 40	PSC50	141.8	40	50	M16 x 1.5P	95	70	4.80
27.501.63.100	SBT50 x PSC63 - 100	PSC63	201.8	100	63	M20 x 2.0P	170	125	4.68
27.501.63.150	SBT50 x PSC63 - 150	PSC63	251.8	150	63	M20 x 2.0P	170	125	5.75
27.501.63.200	SBT50 x PSC63 - 200	PSC63	301.8	200	63	M20 x 2.0P	170	125	6.81
27.501.63.250	SBT50 x PSC63 - 250	PSC63	351.8	250	63	M20 x 2.0P	170	125	7.88
27.501.63.300	SBT50 x PSC63 - 300	PSC63	401.8	300	63	M20 x 2.0P	170	125	8.73
27.501.80.070	SBT50 x PSC80 - 70	PSC80	171.8	70	80	M20 x 2.0P	170	125	3.91
27.501.80.093	SBT50 x PSC80 - 93	PSC80	194.8	93	80	M20 x 2.0P	170	125	4.73
27.501.80.120	SBT50 x PSC80 - 120	PSC80	221.8	120	80	M20 x 2.0P	170	125	5.71
27.501.80.183	SBT50 x PSC80 - 183	PSC80	284.8	183	80	M20 x 2.0P	170	125	7.98
27.501.80.243	SBT50 x PSC80 - 243	PSC80	344.8	243	80	M20 x 2.0P	170	125	10.14

Pull Stud



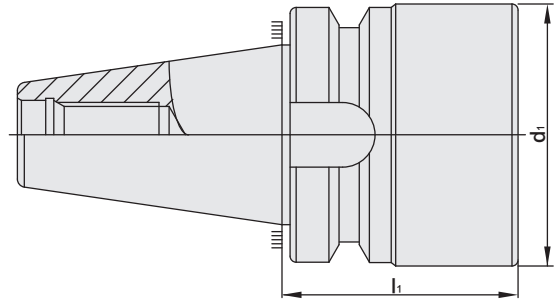
P.W-60~61



SBT BLANK

Dual
DRIVE+

SBT 法蘭加厚型素材



MODEL NO.	TYPE	l ₁	d ₁	WEIGHT (KGS)
25.001.48.300	SBT30 x ϕ 48 - 3"	76.2	48	1.12
25.001.48.400	SBT30 x ϕ 48 - 4"	101.6	48	1.48
25.001.48.500	SBT30 x ϕ 48 - 5"	127	48	1.83

Pull Stud



P.W-60~61



MEMO

16 horizontal grey bars for writing a memo.

