

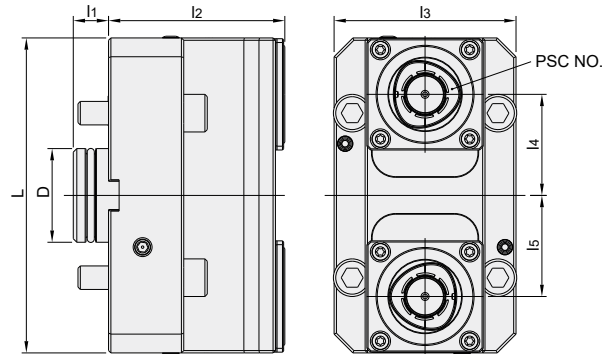
BMT CATEGORY

BMT STATIC AXIAL TOOL HOLDER

K-2

BMT STATIC AXIAL TOOL HOLDER

BMT 固定型軸向雙頭刀座



MODEL NO.	TYPE	PSC NO.	D	L	l ₁	l ₂	l ₃	l ₄	l ₅	RIGHT/LEFT HAND	WEIGHT (KGS)
5370-S3R-021-01	BMT40-PSC40-0°-DR	PSC40	40	134	15	75	77.4	43	43	R	4.43
5370-S3L-021-01	BMT40-PSC40-0°-DL	PSC40	40	134	15	75	77.4	43	43	L	4.43



Features:

- ▶ The jaw clamping design allows quick tool change and tool can be measured offline in advance, reducing downtime and improving processing efficiency.
- ▶ Applicable machine type: Turn-mill multitasking machine. Applicable industry: Automation, electronics and spare parts industries.
- ▶ Clamping force is inspected individually before delivery.
- ▶ Built-in with center coolant mechanism, and coolant pressure can be up to 70BAR.
- ▶ Used with the PSC taper tools, which have the features of bending strength, and superior repeat positioning accuracy.
- ▶ Suitable for turning and center hole drilling and tapping.

MEMO

Blank lined area for writing a memo.



MEMO

Blank lined area for writing a memo.

