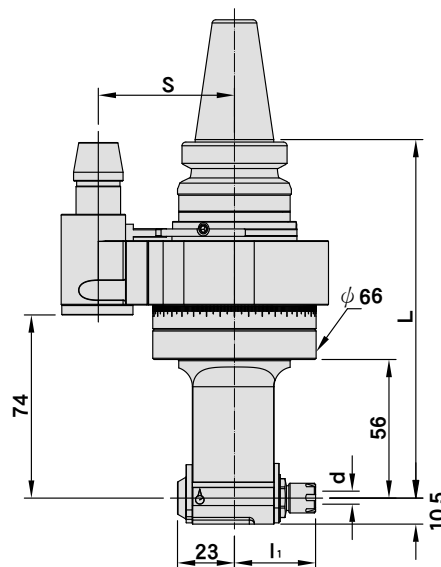


# SHG ANGLE HEAD HOLDER

小徑銑削頭 [ SLIM TYPE ]



US PAT NO. 11389881

SHANK	MODEL NO.	TYPE	L	l <sub>1</sub>	S	TORQUE	COLLET	d SIZE RANGE	WEIGHT (KGS)
 MAS 403	5010-015-084-145	BT30 x SHG8P - 145	145	32.8	55	15N·m	ER8	1 ~ 5	2.15
	5010-019-064-145	BT30 x SHG6K - 145	145	44.6	55	15N·m	SKS6	1 ~ 6	2.15
 DaulDRIVE+	5025-015-084-145	SBT30 x SHG8P - 145	145	32.8	55	15N·m	ER8	1 ~ 5	2.15
	5025-019-064-145	SBT30 x SHG6K - 145	145	44.6	55	15N·m	SKS6	1 ~ 6	2.15

## Product Information

- ▶ Suitable for drilling, tapping, light milling, and machining stepped workpiece or workpiece with ID size more than  $\varnothing 60$ .
- ▶ Max. revolution: 3,000rpm.
- ▶ Recommended cutting depth ( $A_p$ )  $\leq 2$ mm.
- ▶ Max. torque: 10N·m.
- ▶ Rotating direction opposite to machine spindle.
- ▶ Workable for ATC system.

# SYIC



心源工業股份有限公司  
SHIN-YAIN INDUSTRIAL CO., LTD.

43644 台中市清水區菁埔路198號  
NO.198, Jingpu Rd., Qingshui Dist,  
Taichung City 436, Taiwan

Tel: +886-4-26237575  
Fax: +886-4-26237676  
E-mail: sales@syic.com



www.syic.com