

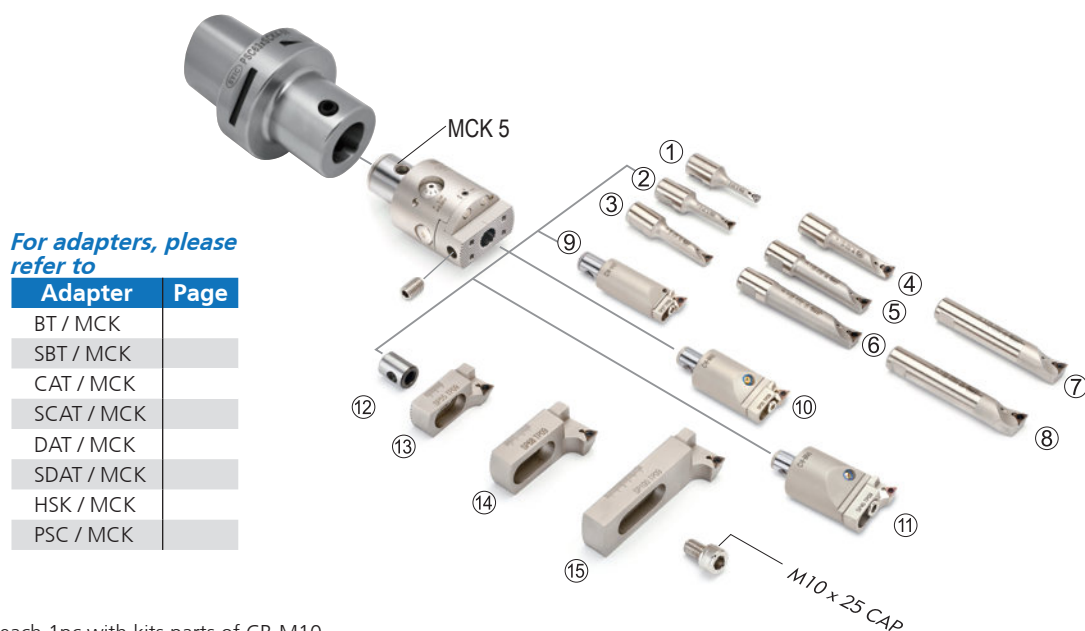
CBM55 MICRO ADJUSTMENT BORING HEAD SET

CBM55 精密微調搪孔頭套組



MODEL NO.	TYPE	BORING CAPACITY	BORING CUTTER W / O INSERTS			WEIGHT (KGS)
			TYPE	INSERTS / Clamp Screw	WRENCH	
405-007-055-000	CBM55	6 ~ 9	BR1606 - 21	WB06 / Ø3 x M2	T6	4.7
		8 ~ 11	BR1608 - 28			
		10 ~ 13	BR1610 - 35			
		12 ~ 15	BR1612 - 42			
		14 ~ 17	BR1614 - 50	TP09 / M2.5	T8	
		16 ~ 20	BR1616 - 60			
		20 ~ 24	BR1620 - 65			
		24 ~ 28	BR1624 - 68			
		27 ~ 40	C16 - BR27 + SP27			
		35 ~ 50	C16 - BR35 + SP35			
		45 ~ 68	C16 - BR45 + SP45			
		55 ~ 80	CB-M10 + SP55			
		68 ~ 104	CB-M10 + SP68			
		100 ~ 154	CB-M10 + SP100			

CBM55 (Boring Range from Ø6 - Ø154 mm)



Features:

- ▶ Enclosed each 1pc with kits parts of CB-M10.
- ▶ Boring range up to Ø204mm can be match with option of CB150 adapter plate and RCM100 balance base.

Product information:

- ▶ Inserts are optional accessories. Needs to be purchased additionally.
- ▶ MCK boring head shank is optional accessory. Needs to be purchased additionally.

CBM68 MICRO ADJUSTMENT BORING HEAD SET

CBM68 精密微調搪孔頭套組

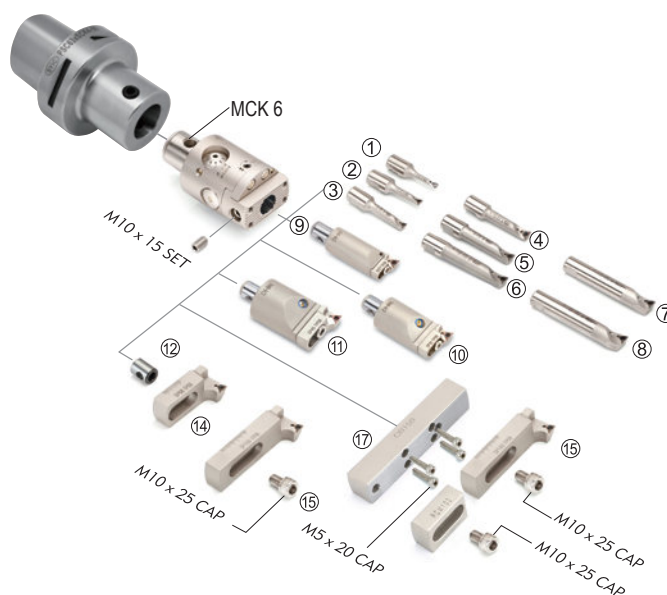


MODEL NO.	TYPE	BORING CAPACITY	BORING CUTTER W / O INSERTS			WEIGHT (KGS)		
			TYPE	INSERTS / Clamp Screw	WRENCH			
405-007-068-000	CBM68	6 ~ 9	BR1606 - 21	WB06 / Ø3 x M2	T6	6.3		
		8 ~ 11	BR1608 - 28					
		10 ~ 13	BR1610 - 35					
		12 ~ 15	BR1612 - 42					
		14 ~ 17	BR1614 - 50	TB06 / Ø2.7 x M2	T6			
		16 ~ 20	BR1616 - 60					
		20 ~ 24	BR1620 - 65					
		24 ~ 28	BR1624 - 68					
		27 ~ 40	C16 - BR27 + SP27				TP09 / M2.5	T8
		35 ~ 50	C16 - BR35 + SP35					
		45 ~ 68	C16 - BR45 + SP45					
		68 ~ 104	CB - M10 + SP68					
		100 ~ 154	CB - M10 + SP100					
		150 ~ 204	CB150 + RCM100 + SP100					

CBM68 (Boring Range from Ø6 - Ø204 mm)

For adapters, please refer to

Adapter	Page
BT / MCK	
SBT / MCK	
CAT / MCK	
SCAT / MCK	
DAT / MCK	
SDAT / MCK	
HSK / MCK	
PSC / MCK	



Features:

- ▶ Enclosed each 1pc with kits parts of CB-M10 and SP100.
- ▶ Boring range up to Ø254mm can be match with option of CB200 adapter plate.
- ▶ Boring range up to Ø304mm can be match with option of CB250 adapter plate.

Product information:

- ▶ Inserts are optional accessories. Needs to be purchased additionally.
- ▶ MCK boring head shank is optional accessory. Needs to be purchased additionally.

