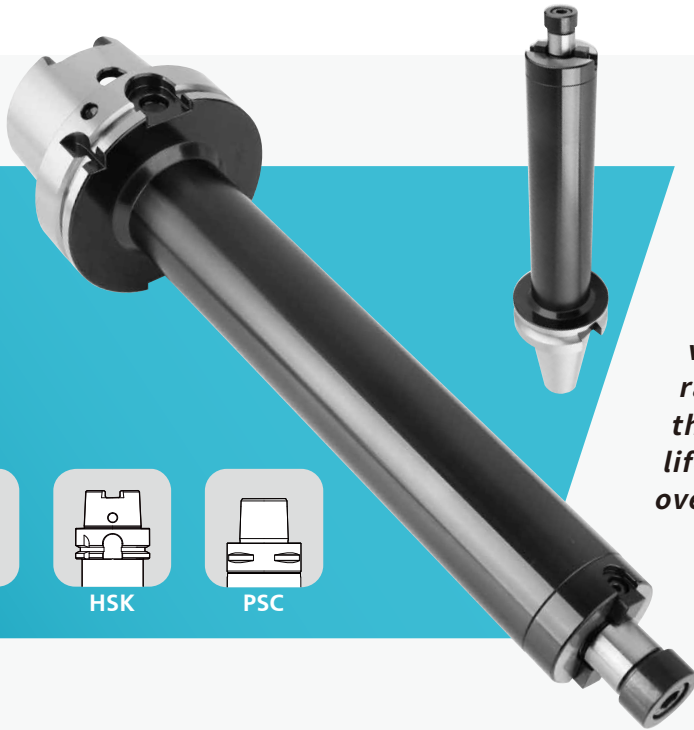


FMH-SDG FACE MILL ARBOR



SDG *KPZ*
SILENT DAMPING GENIUS

The holder is designed with a built-in dynamic vibration absorber, which can effectively absorb radial and axial machining vibration to improve the surface finish of the workpiece, prolong tool life, maintain spindle accuracy, and optimize overall production efficiency.



SBT



HSK



PSC

Face Milling Cutter



KFMC 45°



SFMC 45°

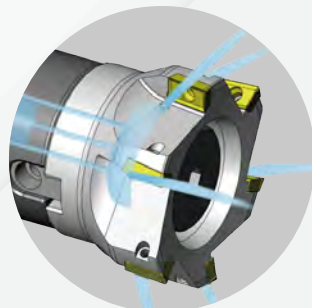


IFMC

▶ Cutter with coolant holes



▶ Screw with coolant flutes



心源工業股份有限公司
SHIN-YAIN INDUSTRIAL CO., LTD.

436406 台中市清水區菁埔路198號
NO.198, Jingpu Rd., Qingshui Dist,
Taichung City 436406, Taiwan

Tel: +886-4-26237575
Fax: +886-4-26237676
E-mail: sales@syic.com



www.syic.com