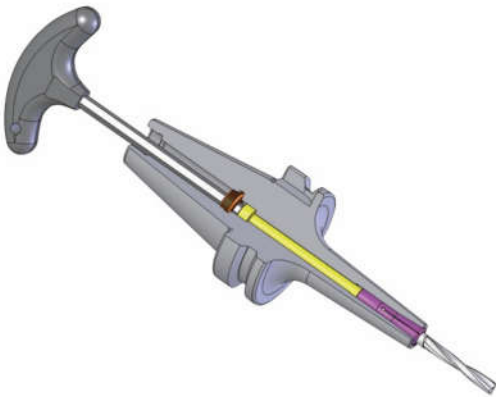
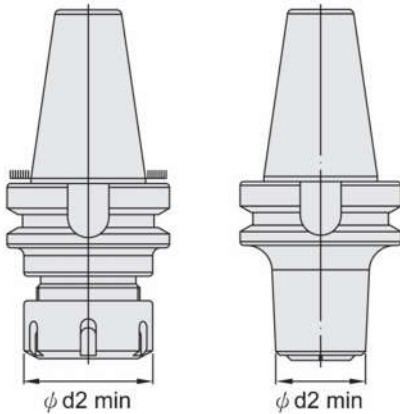




INTRODUCTION OF SBL SERIES

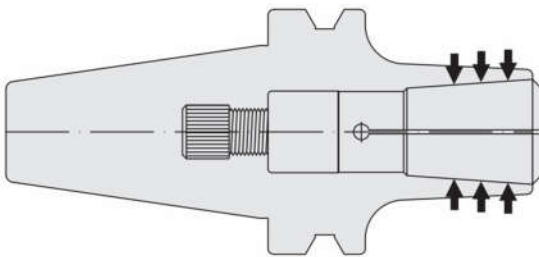


- Slim design avoids interference.
- Chucking the front part of collet, which hides inside.
- Good design for high revolution and good balance because of non-clamping nuts.
- 4° taper angle is good for chucking and it's easier to lock and loosen.

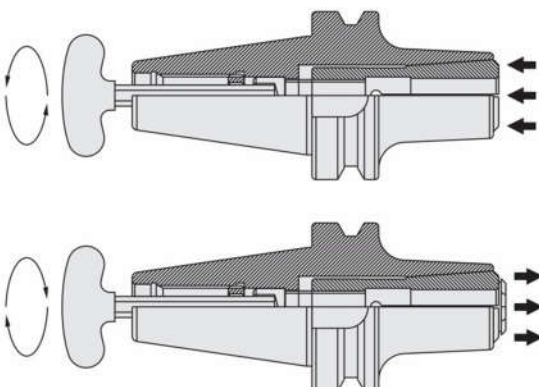


TYPE	OUTSIDE DIAMETER	MAX. CHUCKING DIAMETER
SBL6	$\phi 14$	$\phi 6$
ER11M	$\phi 16$	$\phi 7$
SBL12	$\phi 26$	$\phi 12$
ER20	$\phi 34$	$\phi 14$
SBL20	$\phi 34$	$\phi 20$
ER32	$\phi 50$	$\phi 20$

Slim design avoids interference.



Chucking the front part of collet, which hides inside.



Turning clockwise for locking !

Turning counterclockwise for loosening !

Good design for high revolution and good balance because of non-clamping nut.