



# ◆ 3H TOOL HOLDER SYSTEM:

## 3H Tool Holder Series



SKS COLLET CHUCK



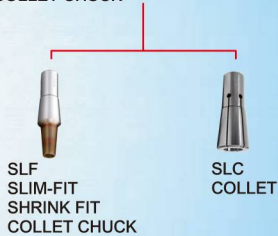
STRAIGHT SHANK  
SBL COLLET CHUCK



SBL COLLET CHUCK



SFC SHRINK FIT CHUCK



Heating for 5 sec.



Cooling for 180 sec.

**HIGH RIGIDITY**  
**3H = HIGH SPEED**  
**HIGH PRECISION**



## AD+B Tool Holder Series

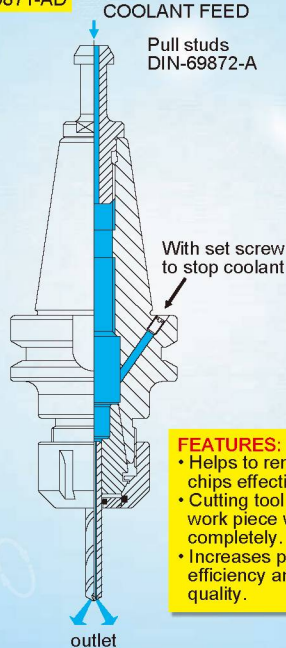
Available with  
BT, CAT & DAT system.



### ◆ AD+B Tool Holder:

Coolant thru the center:

DIN 69871-AD

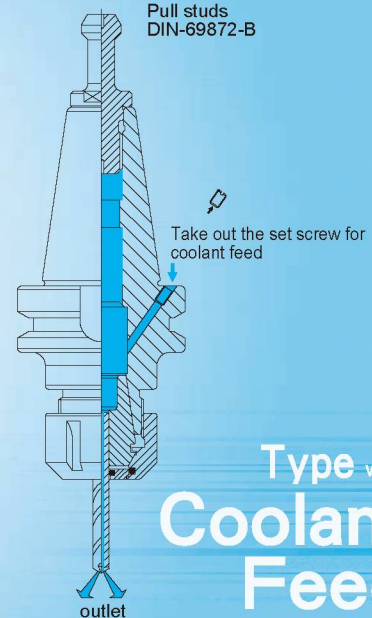


#### FEATURES:

- Helps to remove the metal chips effectively.
- Cutting tool and processed work piece will be cooled completely.
- Increases production efficiency and manufacturing quality.

Coolant thru the flange:

DIN 69871-B



Type with  
**Coolant  
Feed**

DIN 69871-AD+B